

[54] STAPLER

[75] Inventors: John J. Power, Westbury, N.Y.; Ernest M. Raasch, Fort Lee, N.J.

[73] Assignee: Swingline, Inc., Long Island City, N.Y.

[**] Term: 14 Years

[21] Appl. No.: 623,554

[22] Filed: Oct. 17, 1975

[51] Int. Cl. D19-02

[52] U.S. Cl. D8/50

[58] Field of Search D8/48-50; D19/72

[56]

References Cited

U.S. PATENT DOCUMENTS

D. 186,201	9/1959	Rosengren	D8/50
D. 214,986	8/1969	Glennon	D8/50
D. 234,937	4/1975	Olvey et al.	D8/50

Primary Examiner—Joel Stearman
Assistant Examiner—George P. Word
Attorney, Agent, or Firm—Willis H. Taylor, Jr.

[57]

CLAIM

The ornamental design for a stapler, substantially as shown and described.

DESCRIPTION

FIG. 1 is a perspective view of a stapler showing our new design;
FIG. 2 is a right side elevational view;
FIG. 3 is a top plan view;
FIG. 4 is a front elevational view; and
FIG. 5 is a rear elevational view.

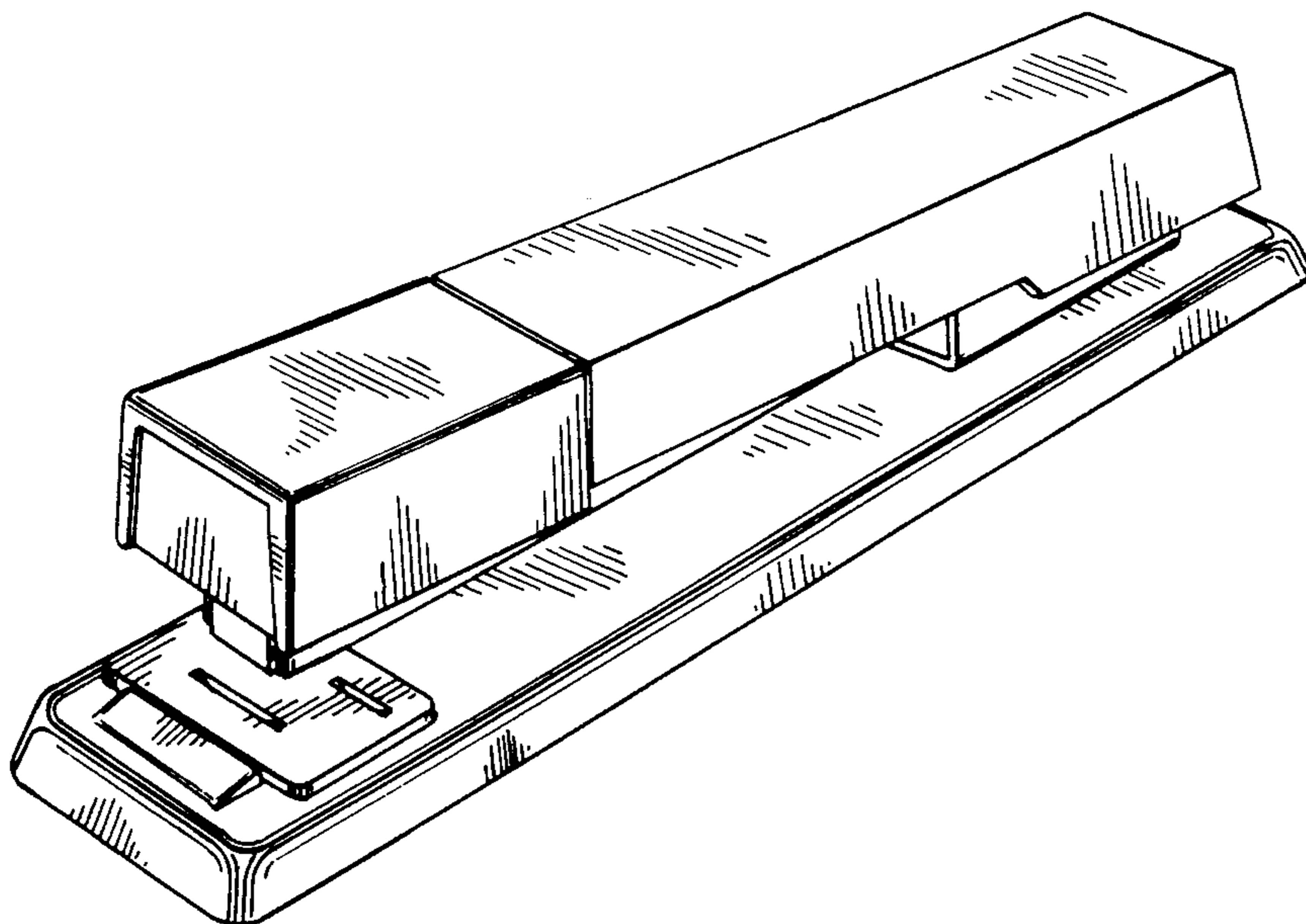


FIG. 1

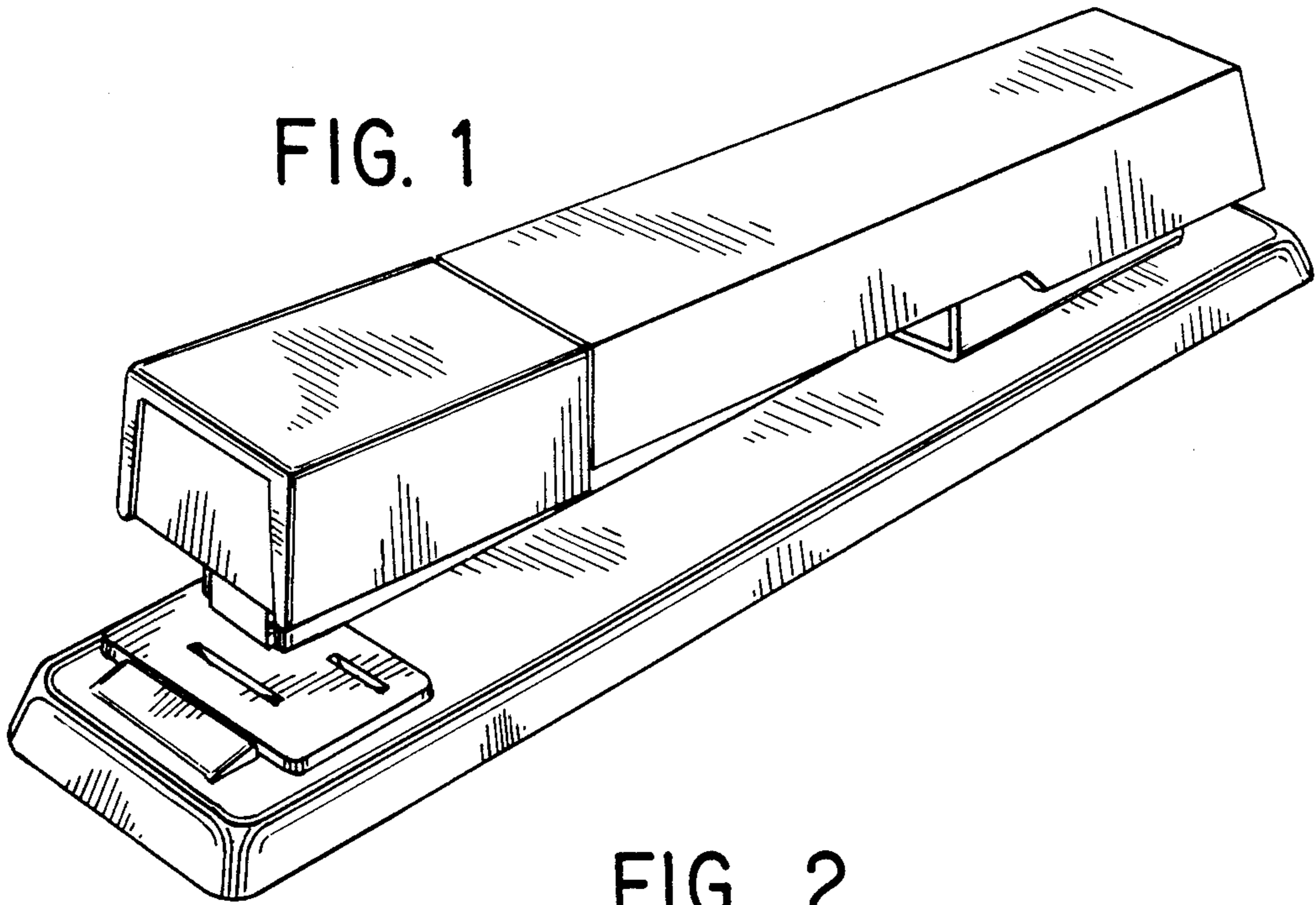


FIG. 2

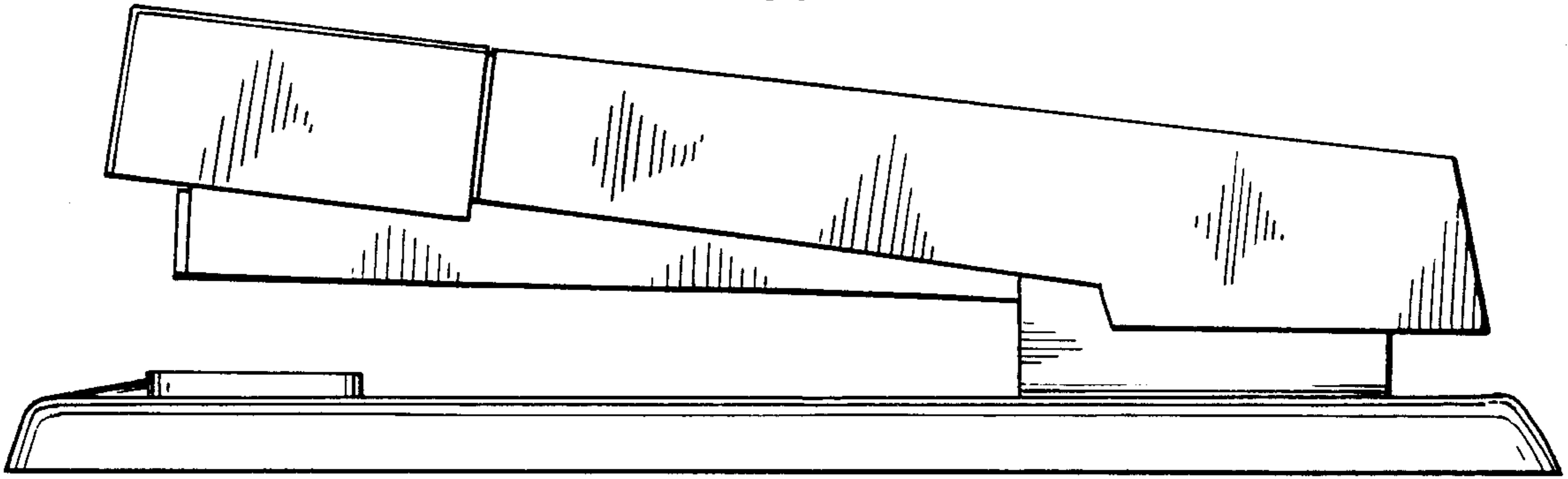


FIG. 3

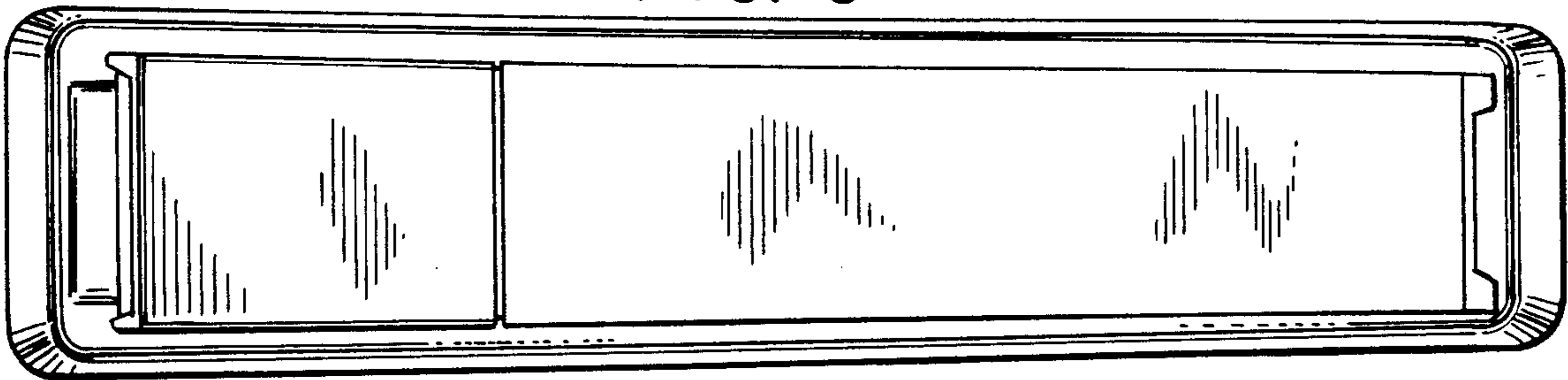


FIG. 4

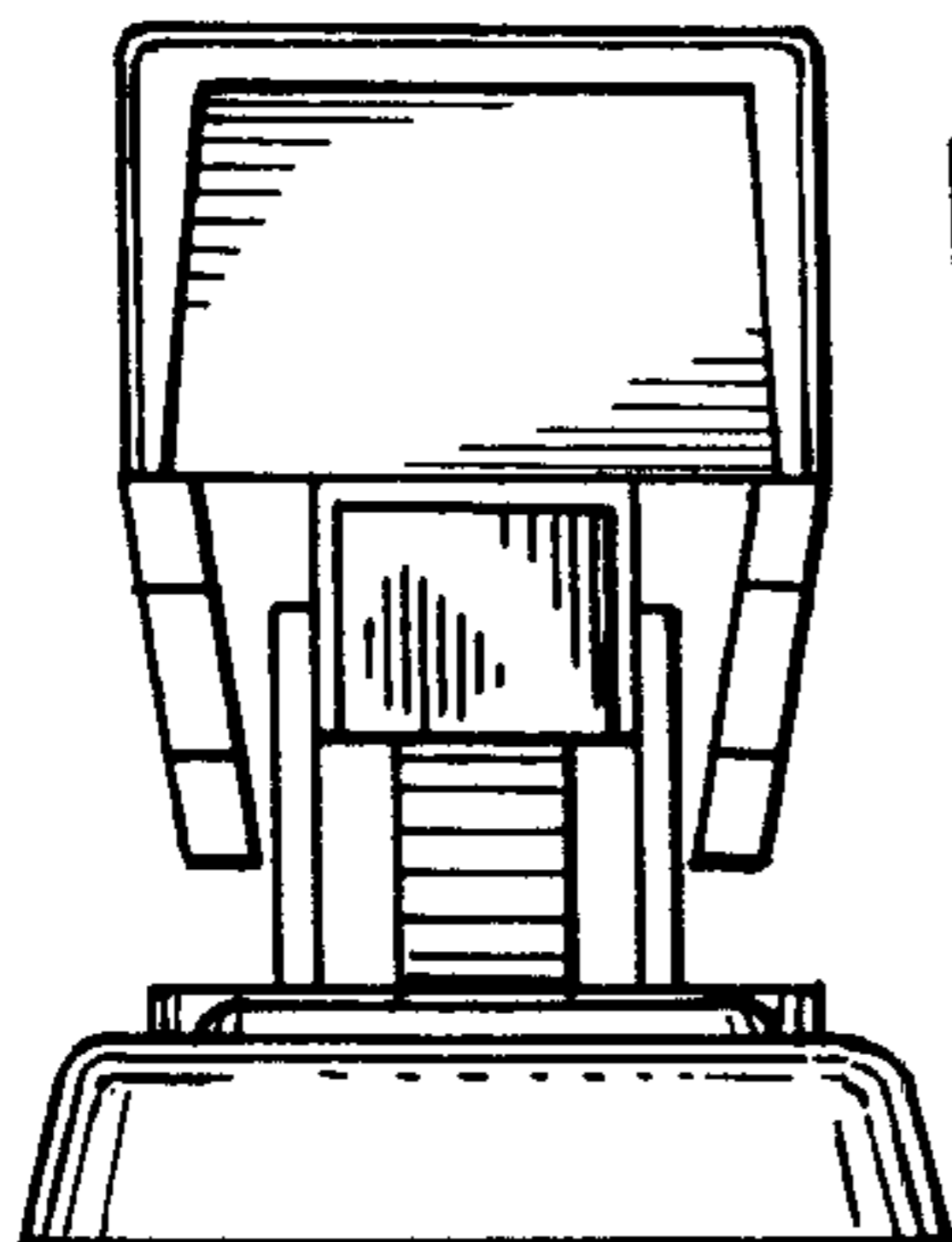


FIG. 5

