

[54] SHELF MODULE, OR SIMILAR ARTICLE

[75] Inventors: **Thomas R. Hegg; Gerald T. Carlson; Richard A. Sonnenberg**, all of Michigan City, Ind.

[73] Assignee: **Interstate Industries, Inc.**, Mundelein, Ill.

[\*\*] Term: **14 Years**

[21] Appl. No.: **641,549**

[22] Filed: **Dec. 17, 1975**

[51] Int. Cl. .... **D6-99**

[52] U.S. Cl. .... **D6/184**

[58] Field of Search ..... **D6/181-189, D6/130-136**

[56] **References Cited**

**U.S. PATENT DOCUMENTS**

D. 104,956	6/1937	Baker .....	D6/189
D. 214,920	8/1969	Cashman .....	D6/189
D. 234,066	1/1975	Wallace .....	D6/85

**OTHER PUBLICATIONS**

Lit-Ming Products Catalog, c. 1966, p. 6, book rack upper left center.

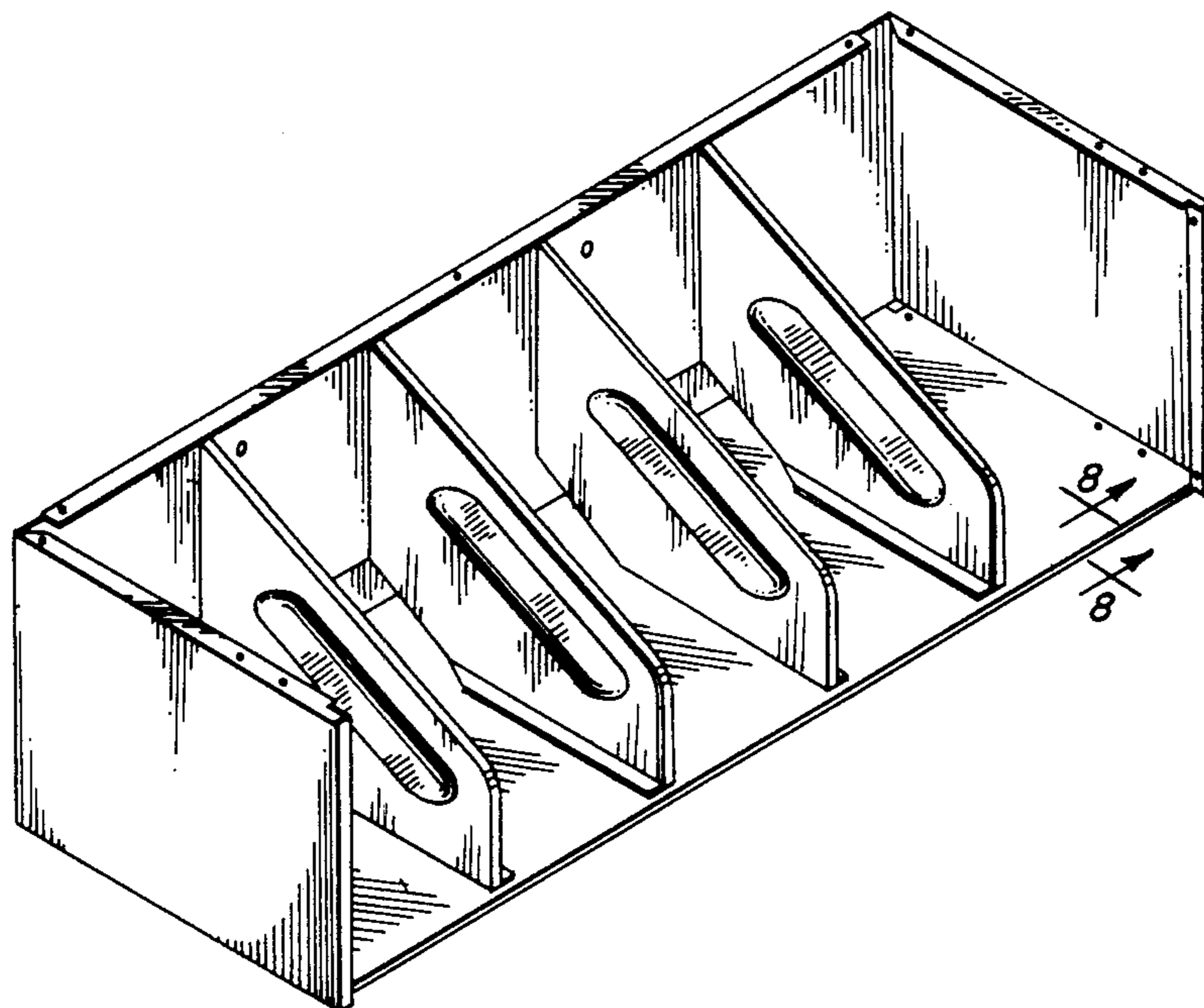
*Primary Examiner*—Bruce W. Dunkins  
*Attorney, Agent, or Firm*—Esther O. Kegan

[57] **CLAIM**

The ornamental design for a shelf module, or similar article, as shown and described.

**DESCRIPTION**

FIG. 1 is a first perspective view of a shelf module, or similar article, showing our new design, including a shelf having a curled lip on a front edge thereof; FIG. 2 is a second perspective view thereof; FIG. 3 is a front elevational view thereof; FIG. 4 is a top plan view thereof; FIG. 5 is a rear elevational view thereof; FIG. 6 is a bottom plan view thereof; FIG. 7 is an end elevational view thereof; and FIG. 8 is an enlarged, fragmentary cross-sectional view showing the curled lip on a front edge of the shelf, taken along the line 8-8 of FIG. 1.



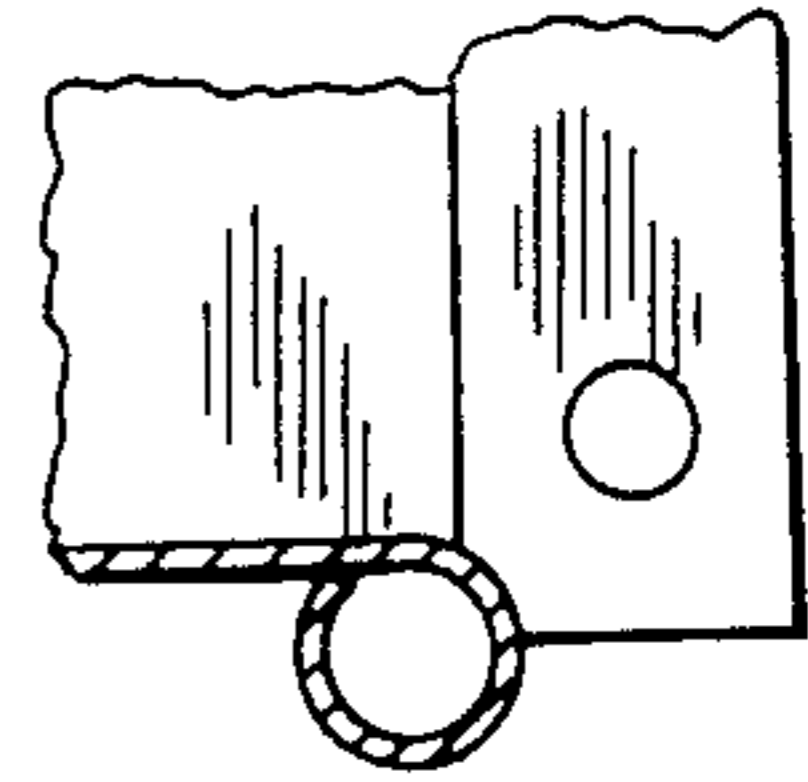
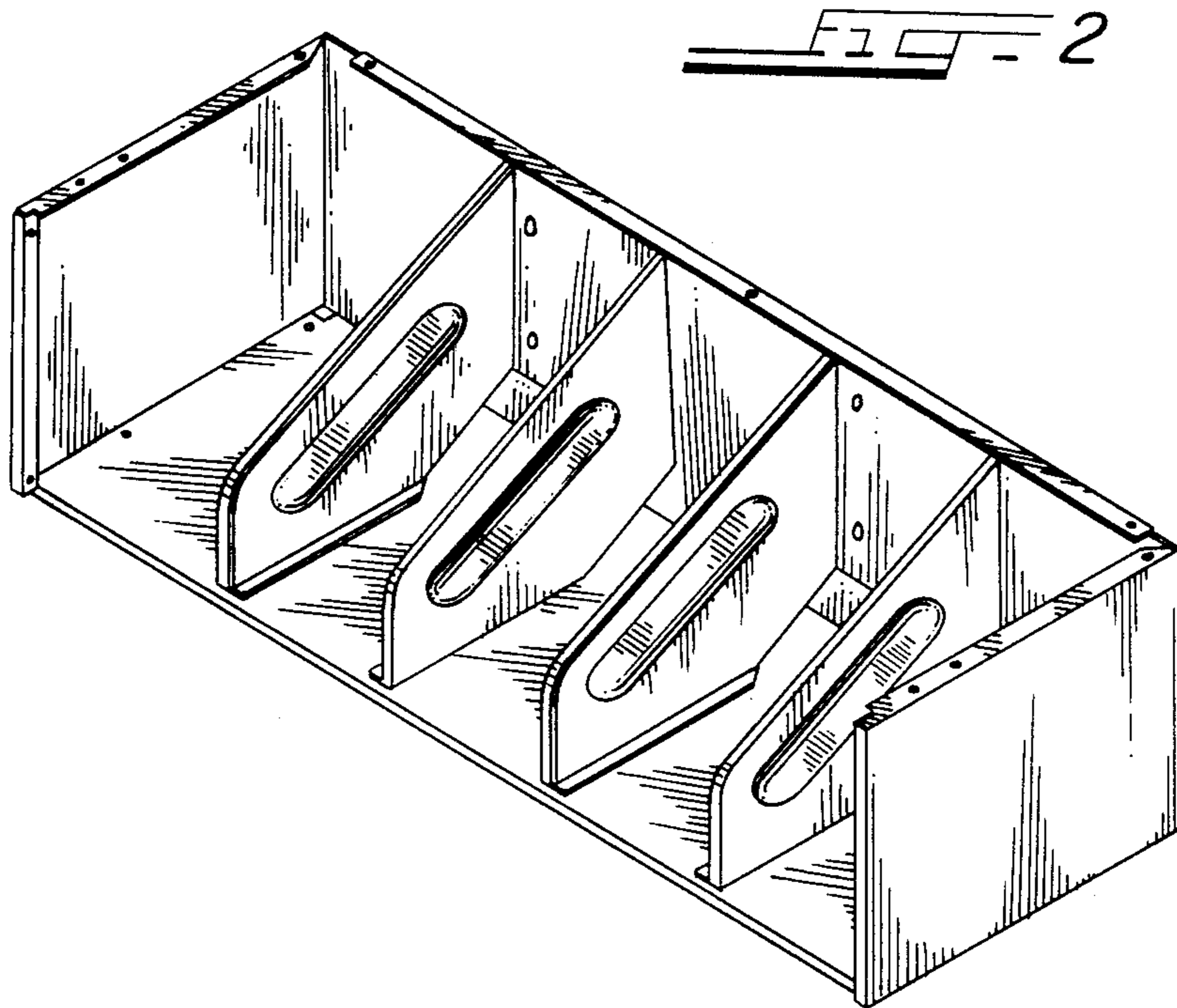
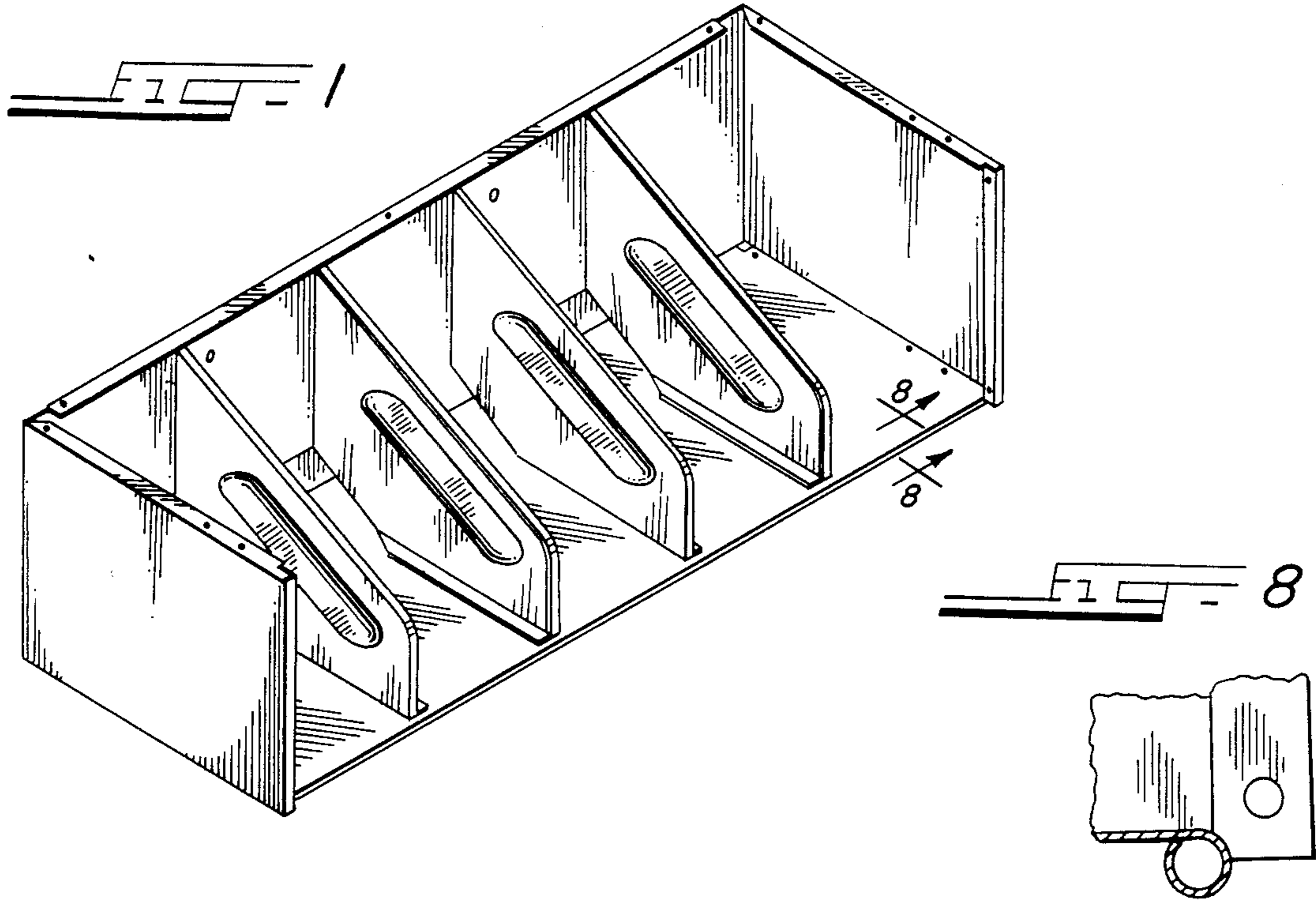


FIG - 3

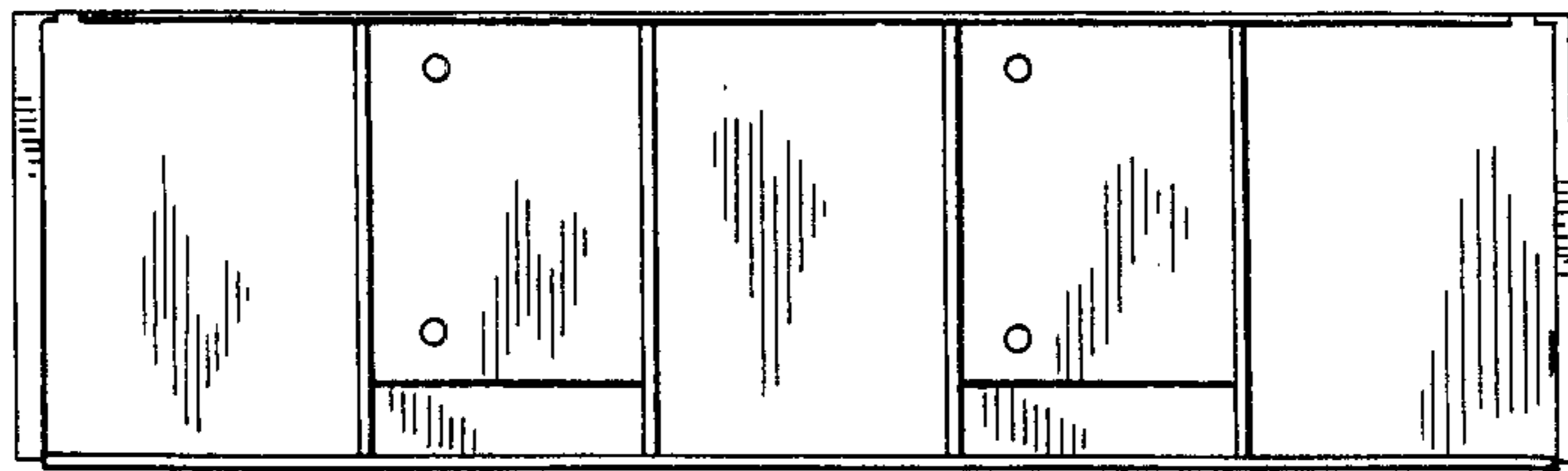


FIG - 4

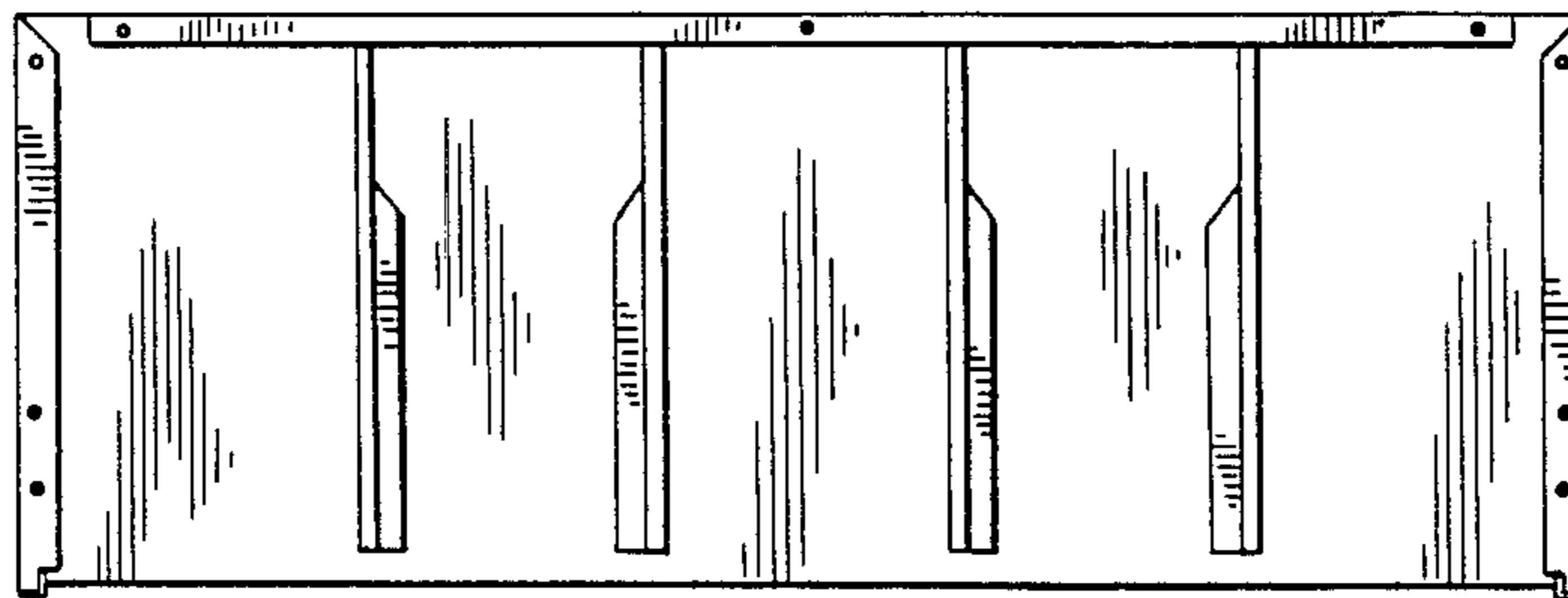


FIG - 5

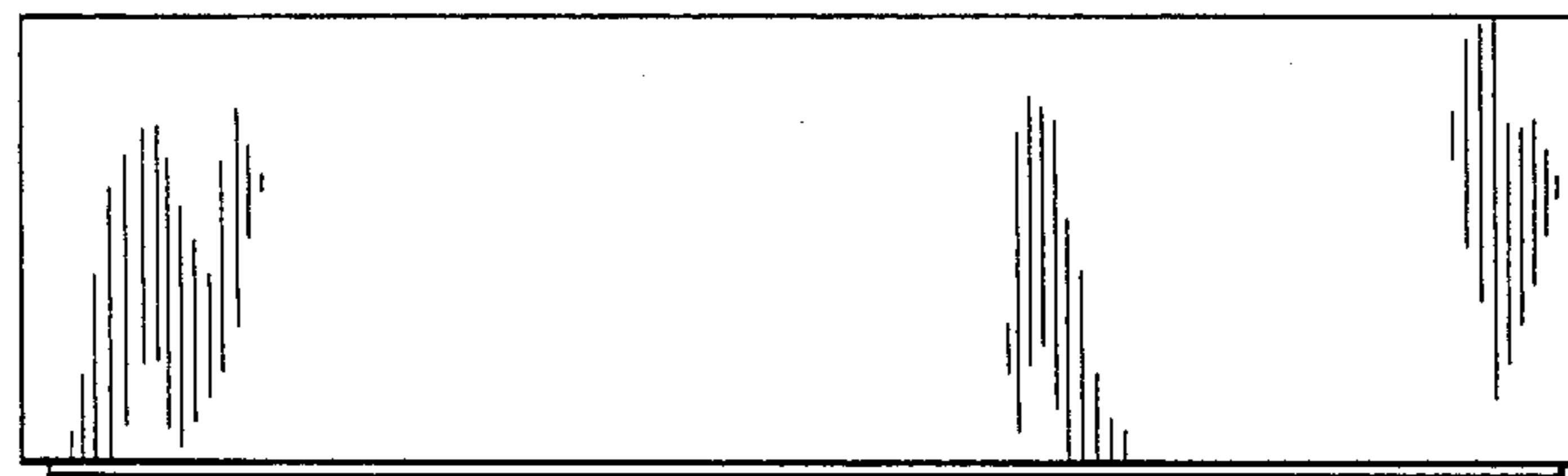


FIG - 6

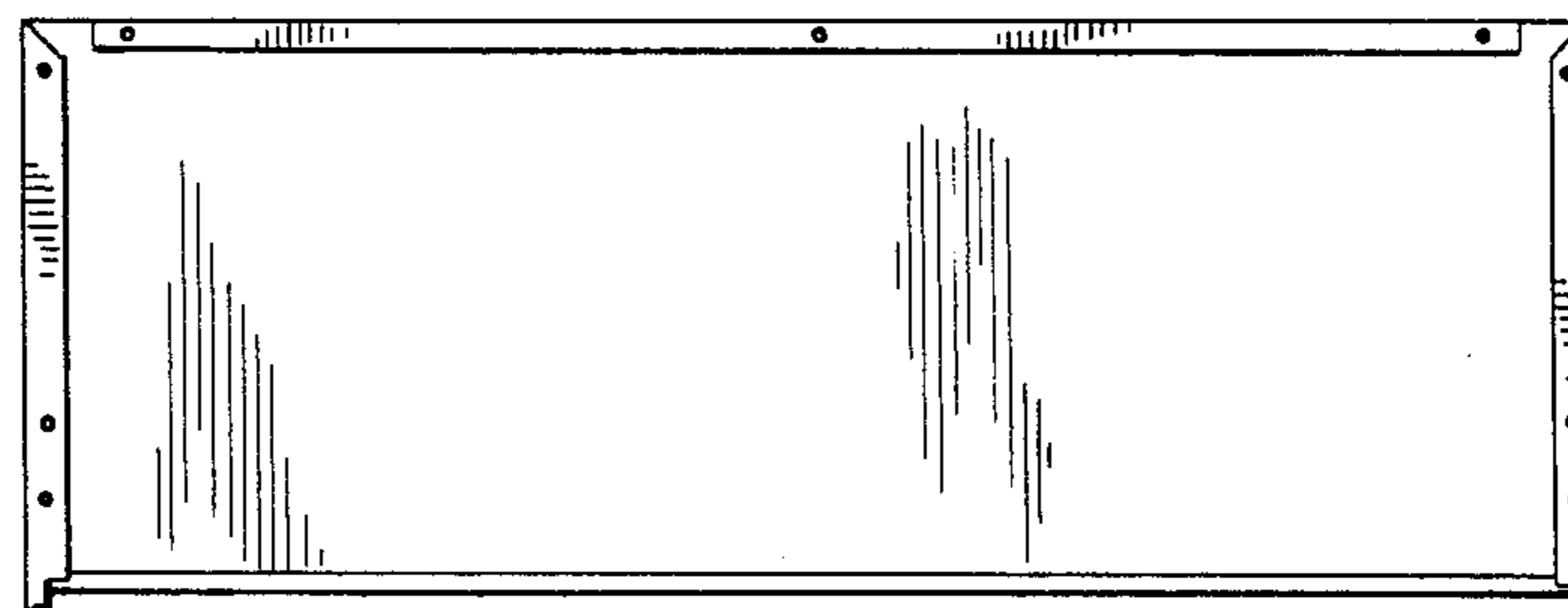


FIG - 7

