

# United States Patent [19]

Laroye

[11] **Des. 244,239**

[45]\*\* **May 10, 1977**

[54] **CHAIR**

[76] Inventor: **Eric Laroye**, Koningstraat 14 -Bus 2,  
8400 Oostende, Belgium

[\*\*] Term: **14 Years**

[21] Appl. No.: **586,123**

[22] Filed: **June 12, 1975**

[51] **Int. Cl.** ..... **D6-01**  
[52] **U.S. Cl.** ..... **D6/75**  
[58] **Field of Search** ..... **D6/65, 67-77**

[56]

### References Cited

#### U.S. PATENT DOCUMENTS

D. 237,848 12/1975 Sklaroff ..... D6/66

#### OTHER PUBLICATIONS

Interiors, May 1967, p. 22, table bottom right.

*Primary Examiner*—Bruce W. Dunkins  
*Attorney, Agent, or Firm*—Albert C. Nolte, Jr.

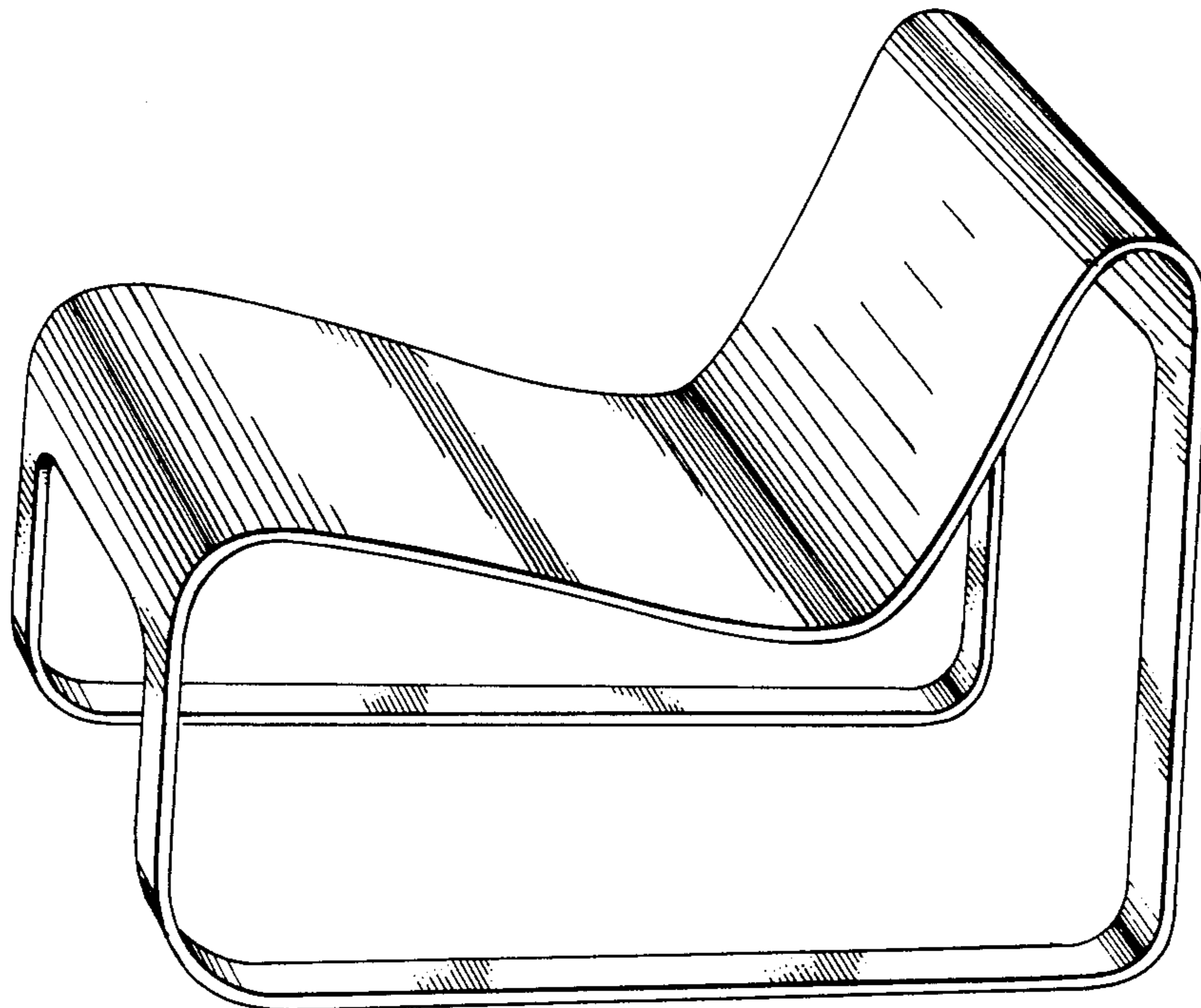
[57]

### CLAIM

The ornamental design for a chair, as shown.

### DESCRIPTION

FIG. 1 is a perspective view showing the back and side of a chair incorporating the ornamental design features of the invention; and  
FIG. 2 is a perspective view showing the front and other side of the chair of FIG. 1.



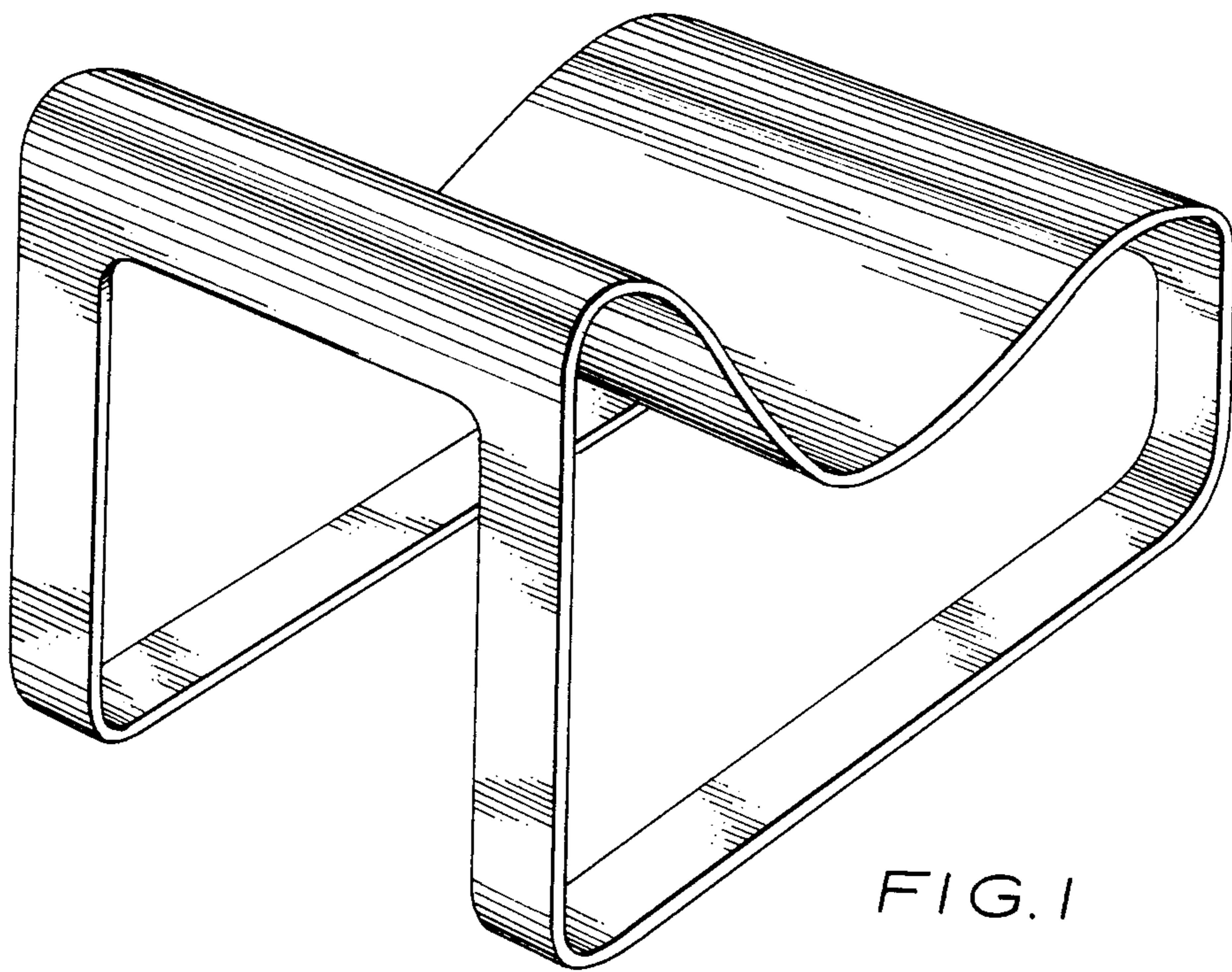


FIG. 1

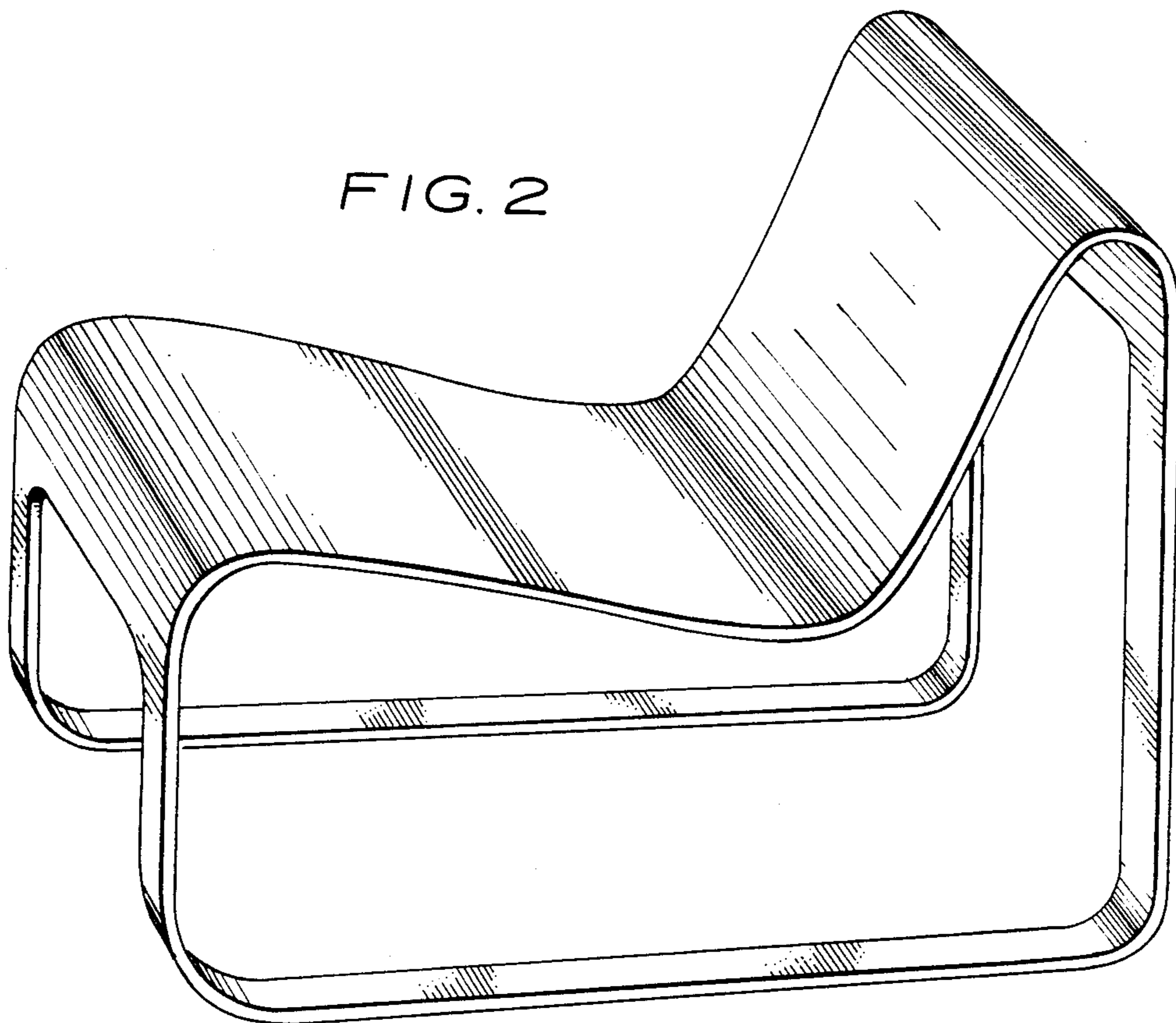


FIG. 2