

[54] **AUTOMATIC BLOOD PRESSURE MEASURING APPARATUS**

[75] Inventor: **Abraham Lichowsky**, Los Angeles, Calif.

[73] Assignee: **Medical Monitors, Inc.**, Los Angeles, Calif.

[**] Term: **14 Years**

[21] Appl. No.: **609,203**

[22] Filed: **Sept. 2, 1975**

[51] Int. Cl. **D24-01**

[52] U.S. Cl. **D24/21**

[58] Field of Search **128/2.05 Q, 2.05 M, 128/2.05 G; D83/12 R, 1 F**

[56] **References Cited**

U.S. PATENT DOCUMENTS

2,053,383	9/1936	Telson et al.	128/2.05 M
2,149,690	3/1939	Snyder	128/2.05 M
3,543,745	12/1970	Rosenstein	128/2.05 G
3,905,353	9/1975	Lichowsky	128/2.05 G

Primary Examiner—Bernard Ansher
Attorney, Agent, or Firm—Ralph B. Pastoriza

[57] **CLAIM**

The ornamental design for an automatic blood pressure measuring apparatus, substantially as shown.

DESCRIPTION

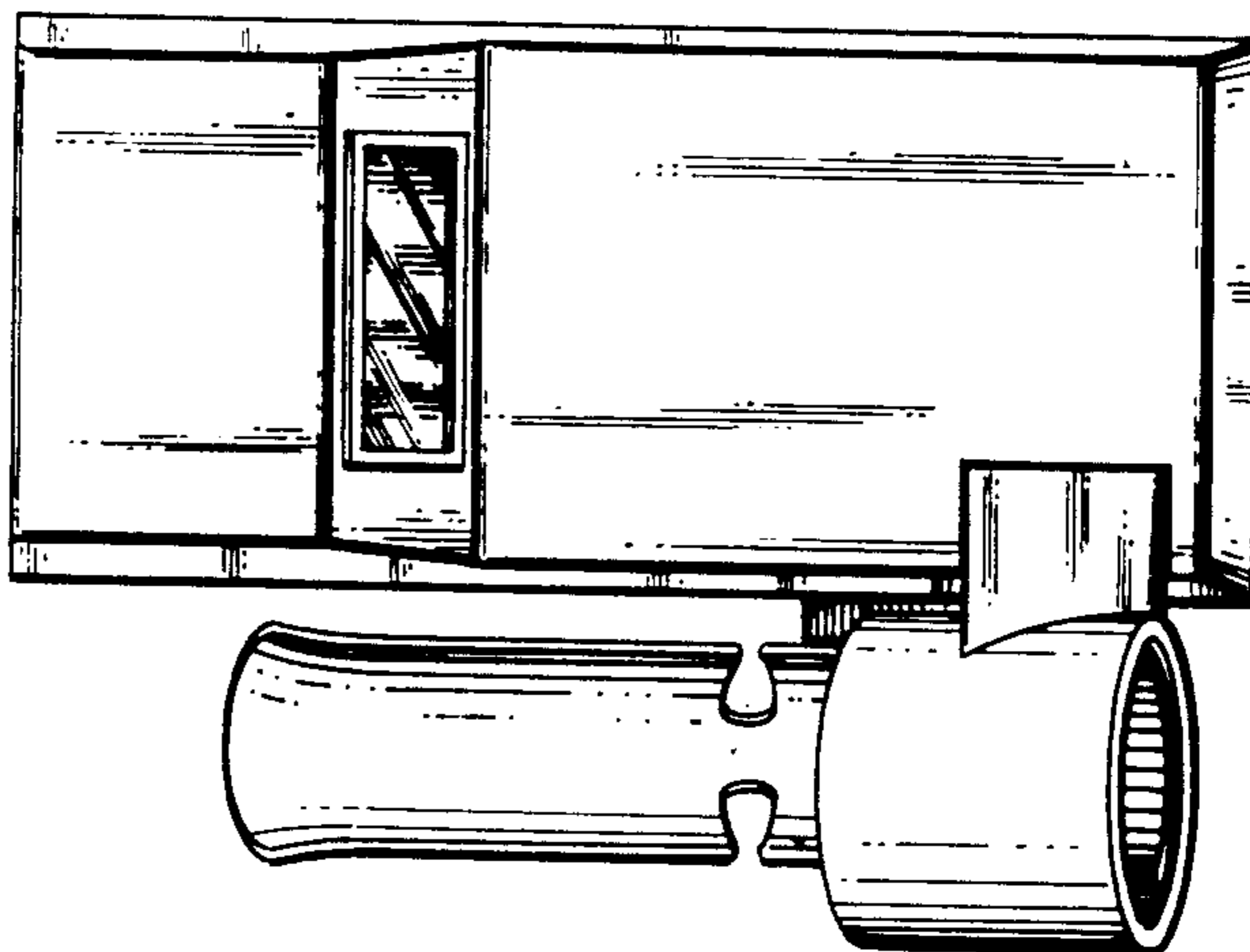
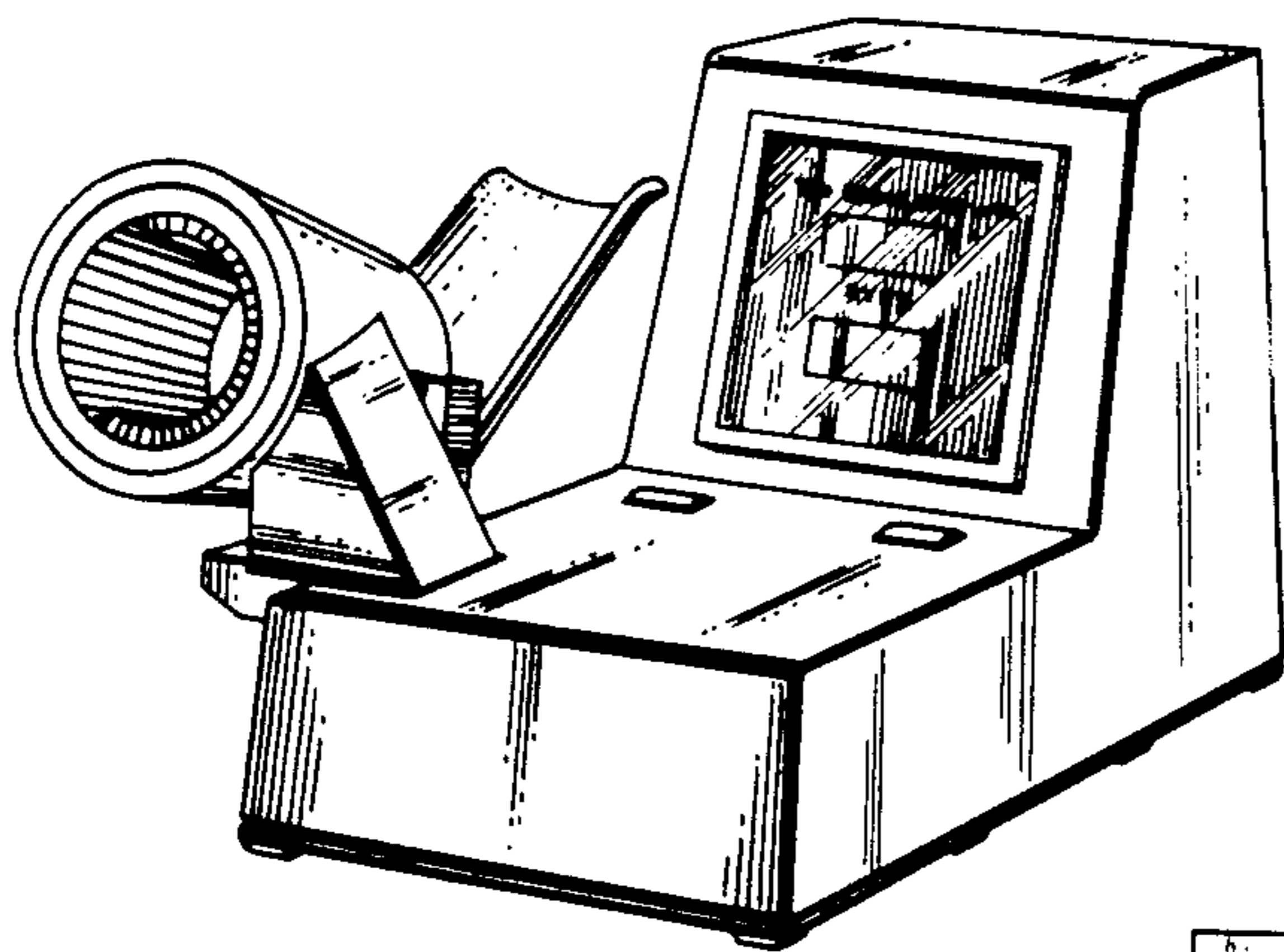
FIG. 1 is a perspective view of an automatic blood pressure measuring apparatus showing my new design; FIG. 2 is an elevation thereof showing the side not visible in FIG. 1;

FIG. 3 is a front elevational view thereof;

FIG. 4 is a top plan view thereof;

FIG. 5 is a rear elevational view thereof; and,

FIG. 6 is a bottom plan view thereof.



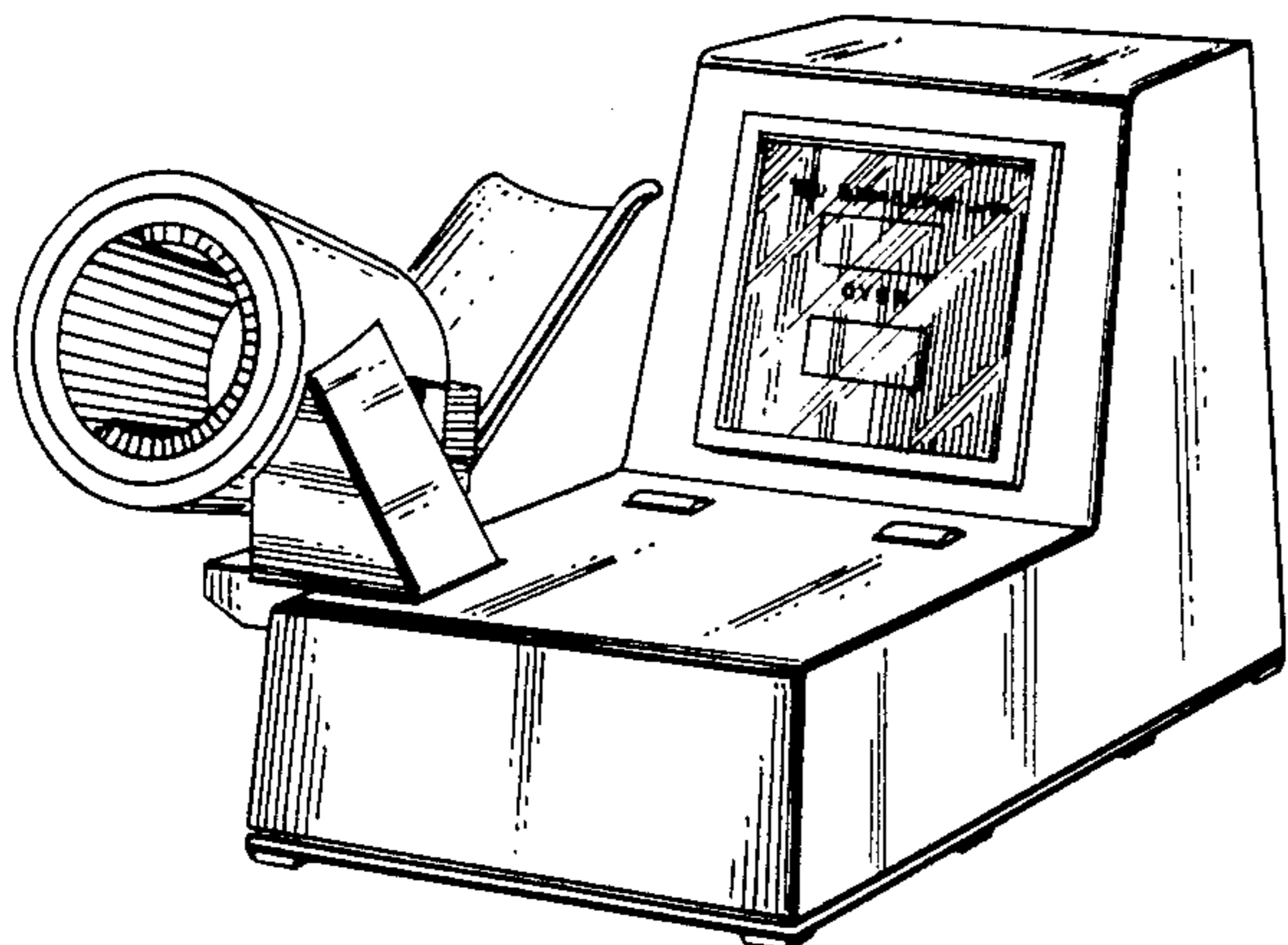


FIG. 1

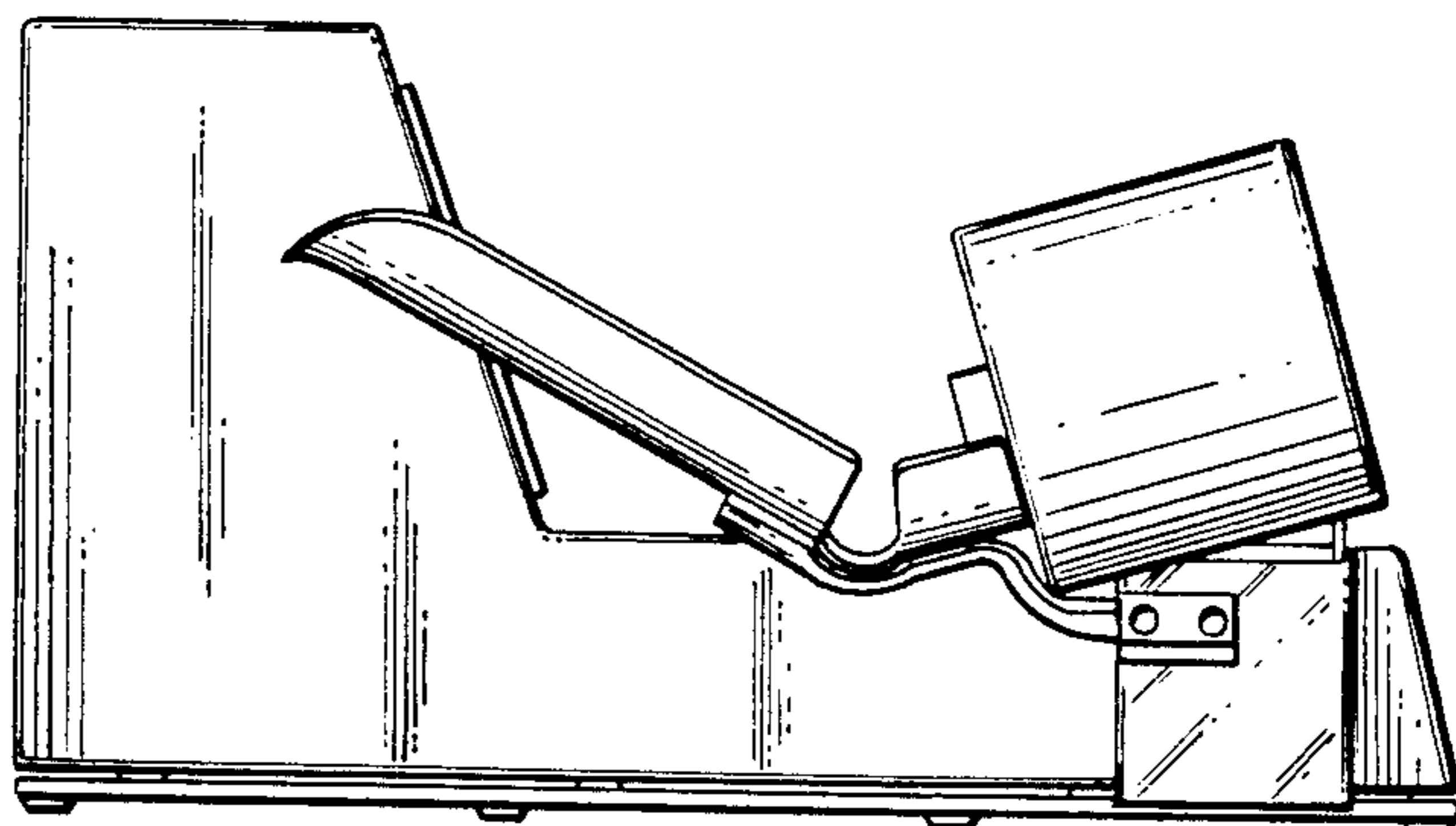


FIG. 2

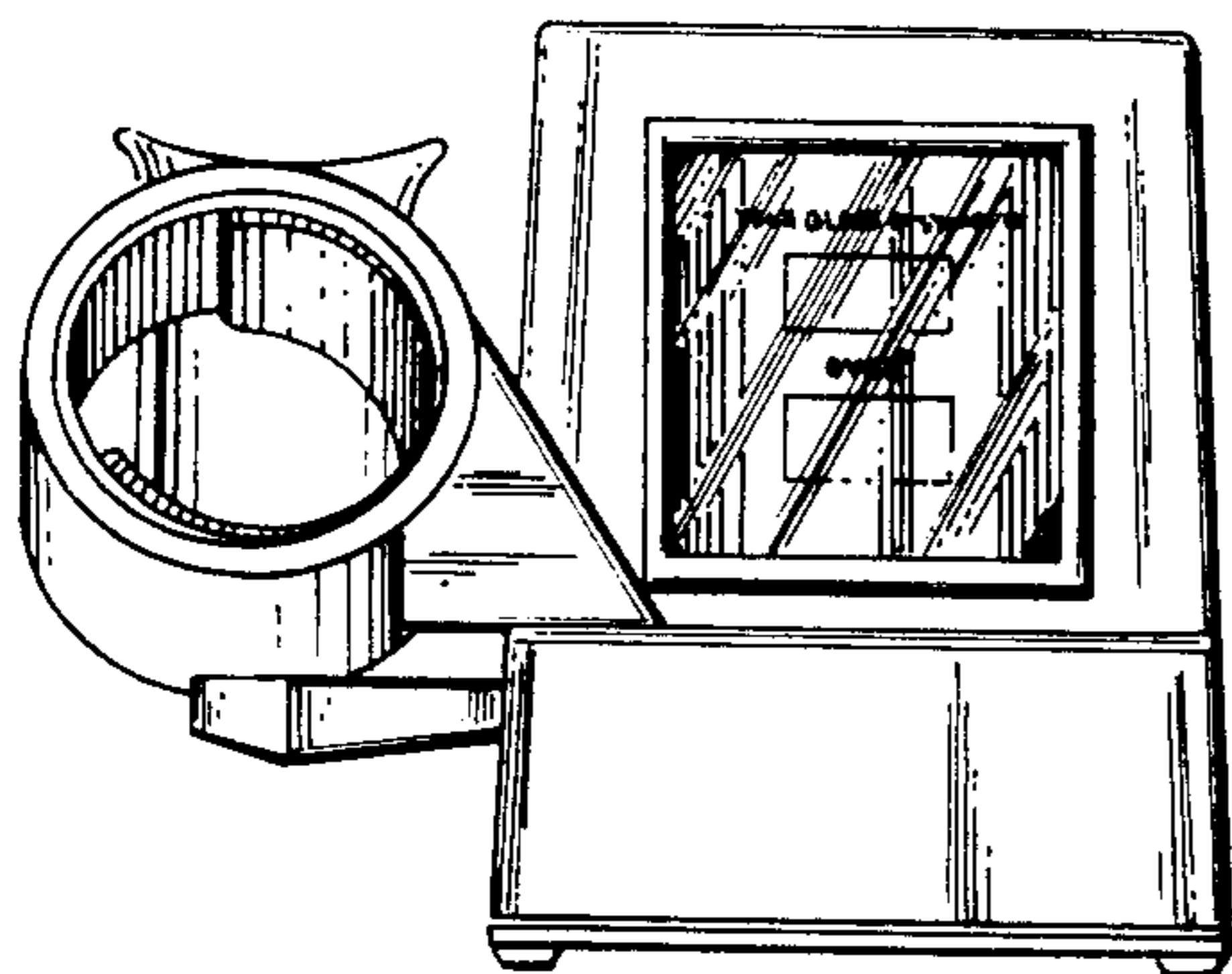


FIG. 3

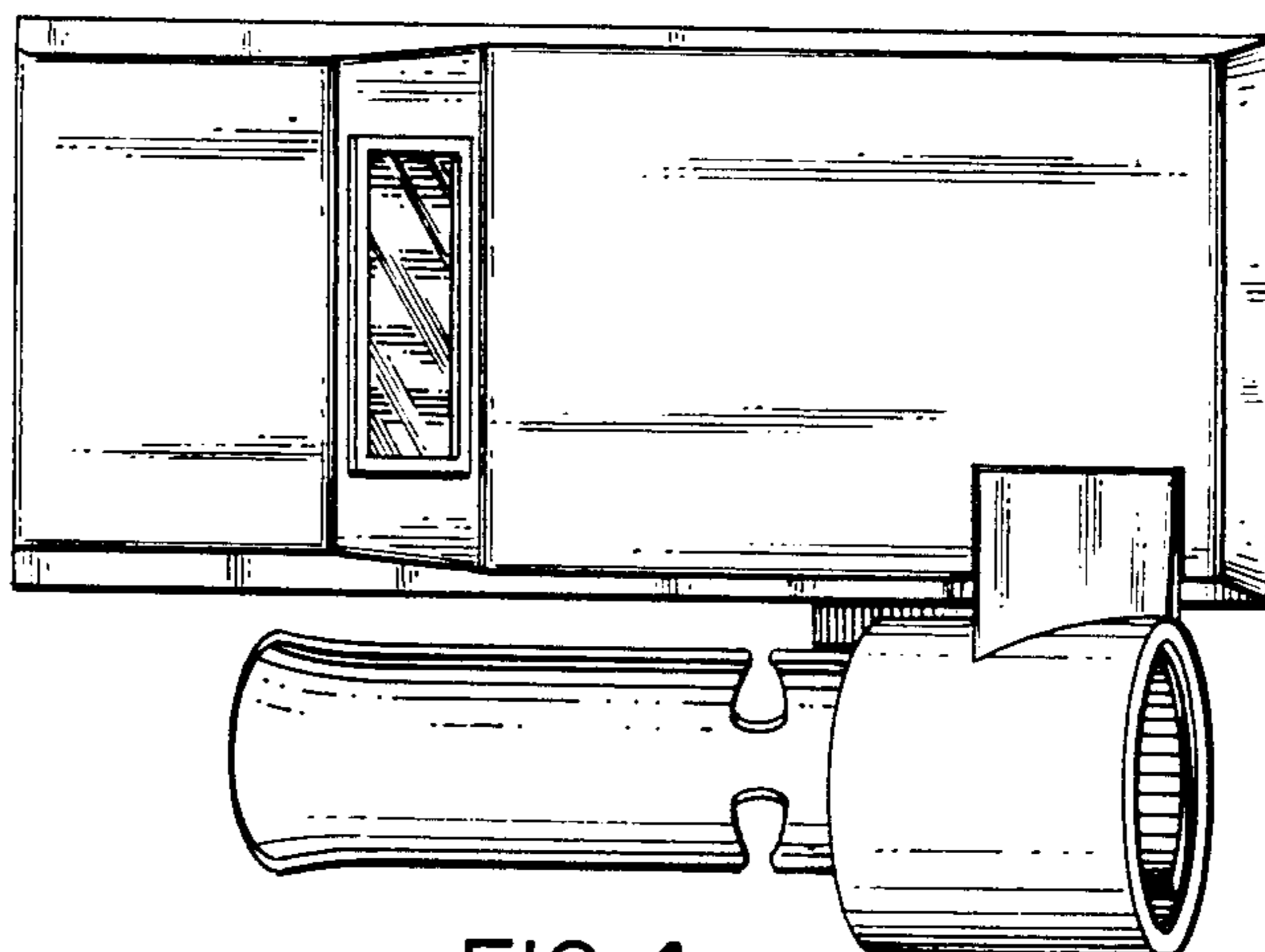


FIG. 4

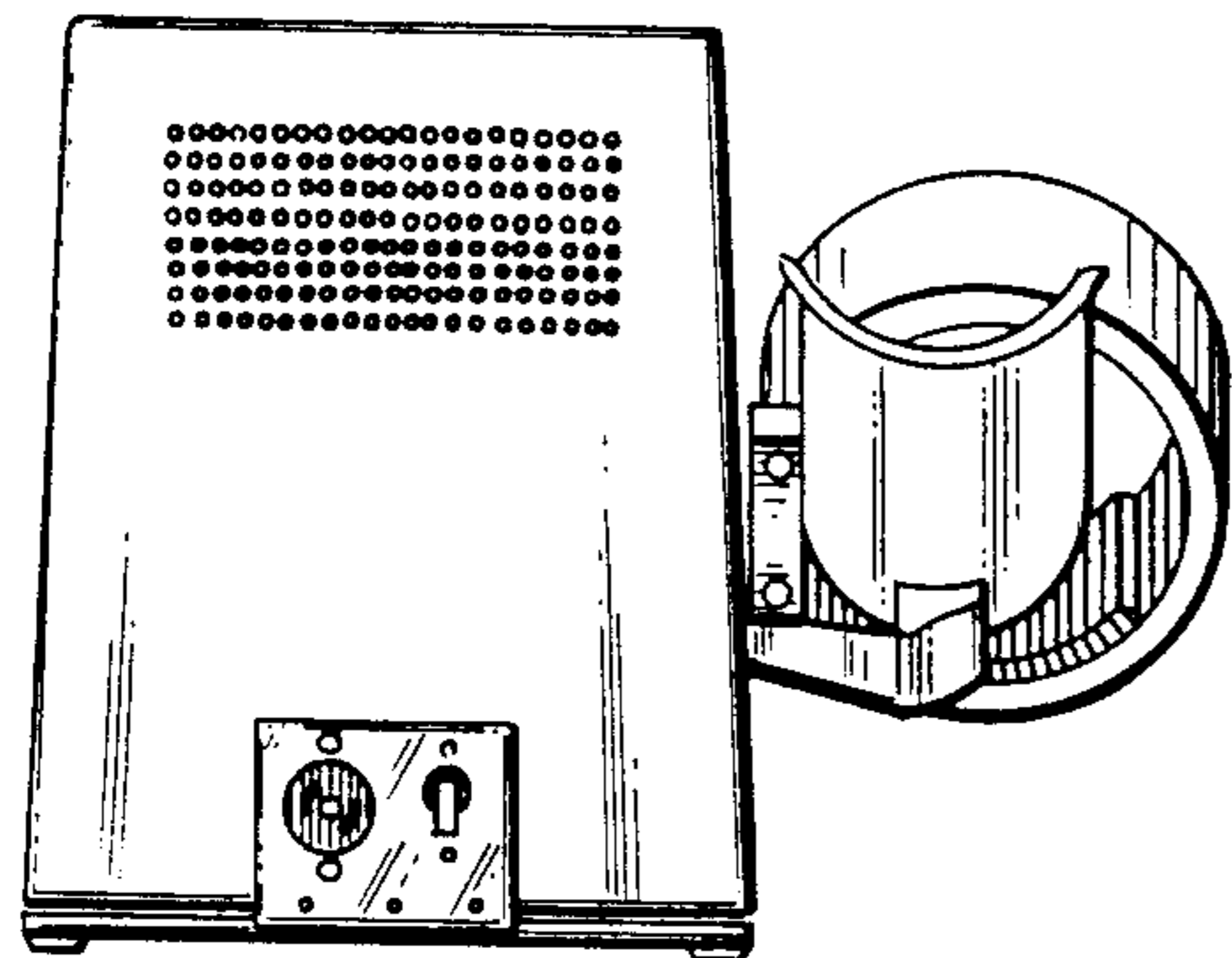


FIG. 5

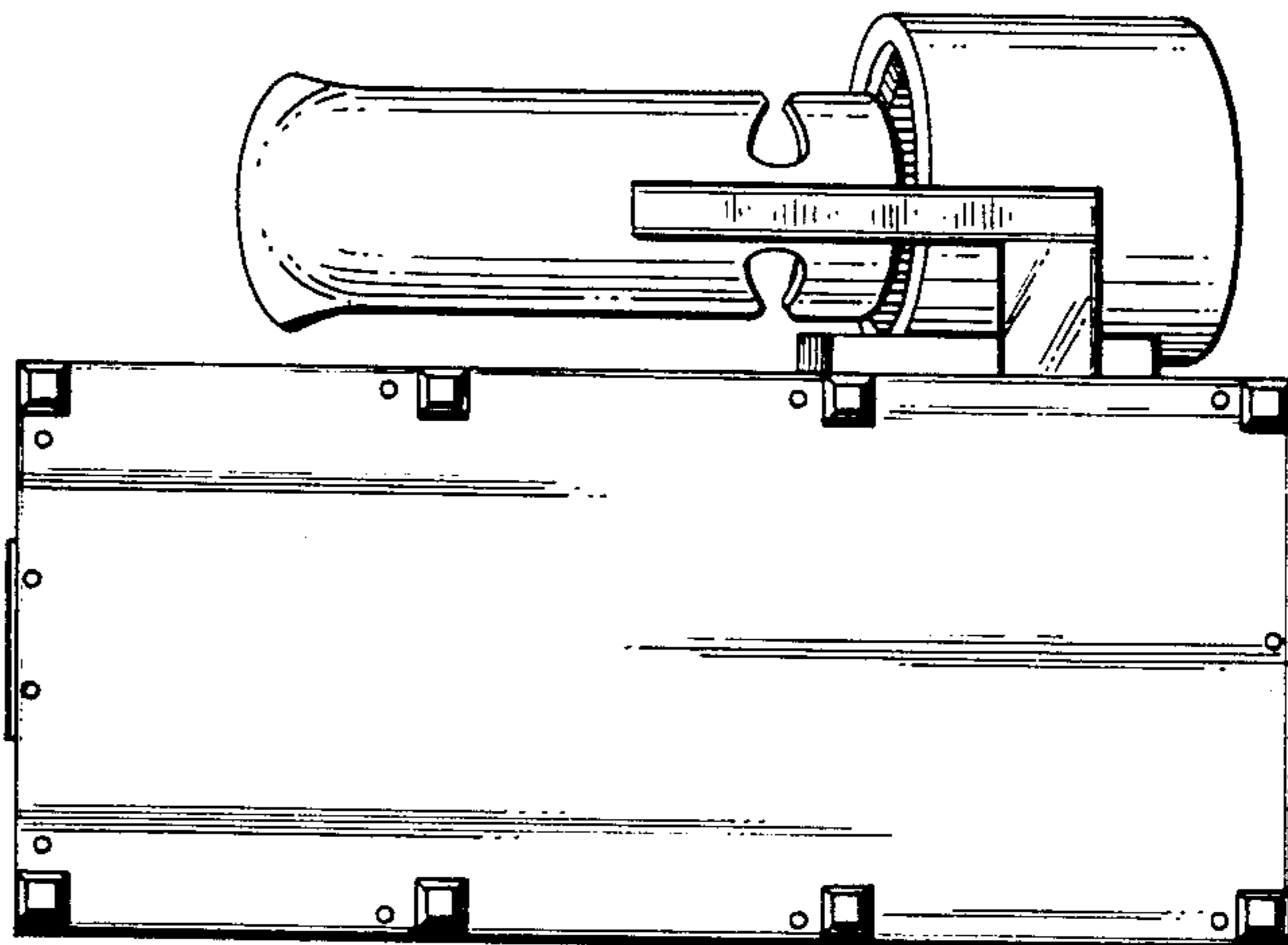


FIG. 6