

[54] TYPEWRITER CASING

[76] Inventor: **Shigeaki Kuramochi**, 24-17 5 chome, Koishikawa Bunkyo, Tokyo, Japan

[**] Term: **14 Years**

[21] Appl. No.: **573,119**

[22] Filed: **Apr. 30, 1975**

[30] **Foreign Application Priority Data**

Nov. 8, 1974 Japan 49-039140

[51] **Int. Cl.** **D18-01**

[52] **U.S. Cl.** **D64/11 A**

[58] **Field of Search** **D64/11 R, 11 A, 11 C; D20/5 C; 197/186 R, 186 B**

[56] **References Cited**

U.S. PATENT DOCUMENTS

D. 134,677 12/1942 Faustmann D64/11 A
D. 144,164 3/1946 Dreyfuss D64/11 A

OTHER PUBLICATIONS

Kays Jewelers Xmas 1963 Catalog, p. 27 — Remington "Fleetwood".

Montgomery Wards Catalog Spring & Summer 1966, p. 555 — Signature 440T Typewriter at top.

Primary Examiner—Joel Stearman

Assistant Examiner—Louis S. Zarfes

Attorney, Agent, or Firm—Willis H. Taylor, Jr.

[57] **CLAIM**

The ornamental design for typewriter casing, substantially as shown.

DESCRIPTION

FIG. 1 is a front perspective view of the typewriter casing showing my new design;

FIG. 2 is a rear perspective view of the typewriter casing;

FIG. 3 is a top plan view of the typewriter casing;

FIG. 4 is a front elevational view of the typewriter casing of FIG. 1;

FIG. 5 is a right side elevational view of the typewriter casing of FIG. 1;

FIG. 6 is a rear elevational view of the typewriter casing of FIG. 1; and

FIG. 7 is a left side elevational view of the typewriter casing of FIG. 1.

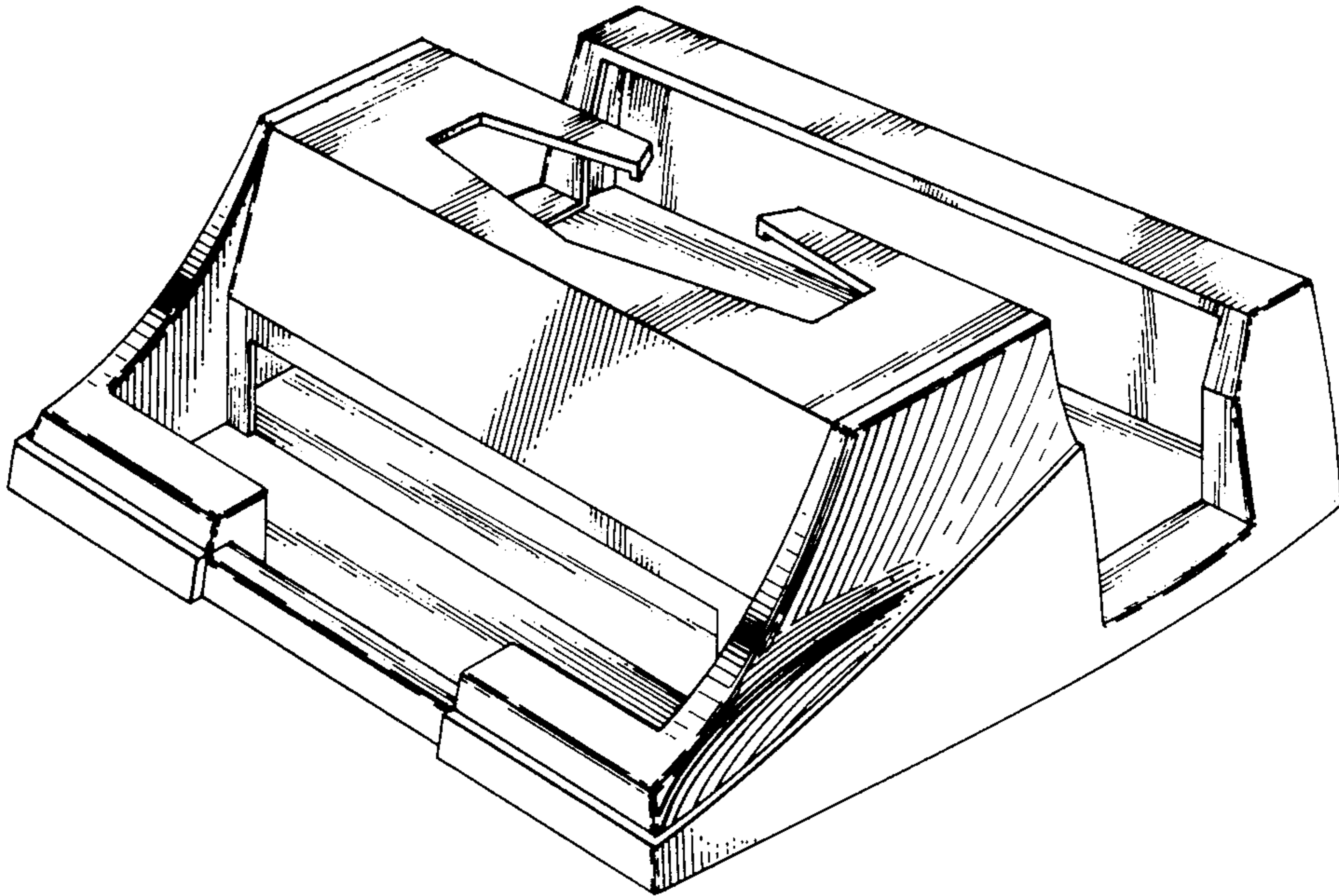


FIG. 1.

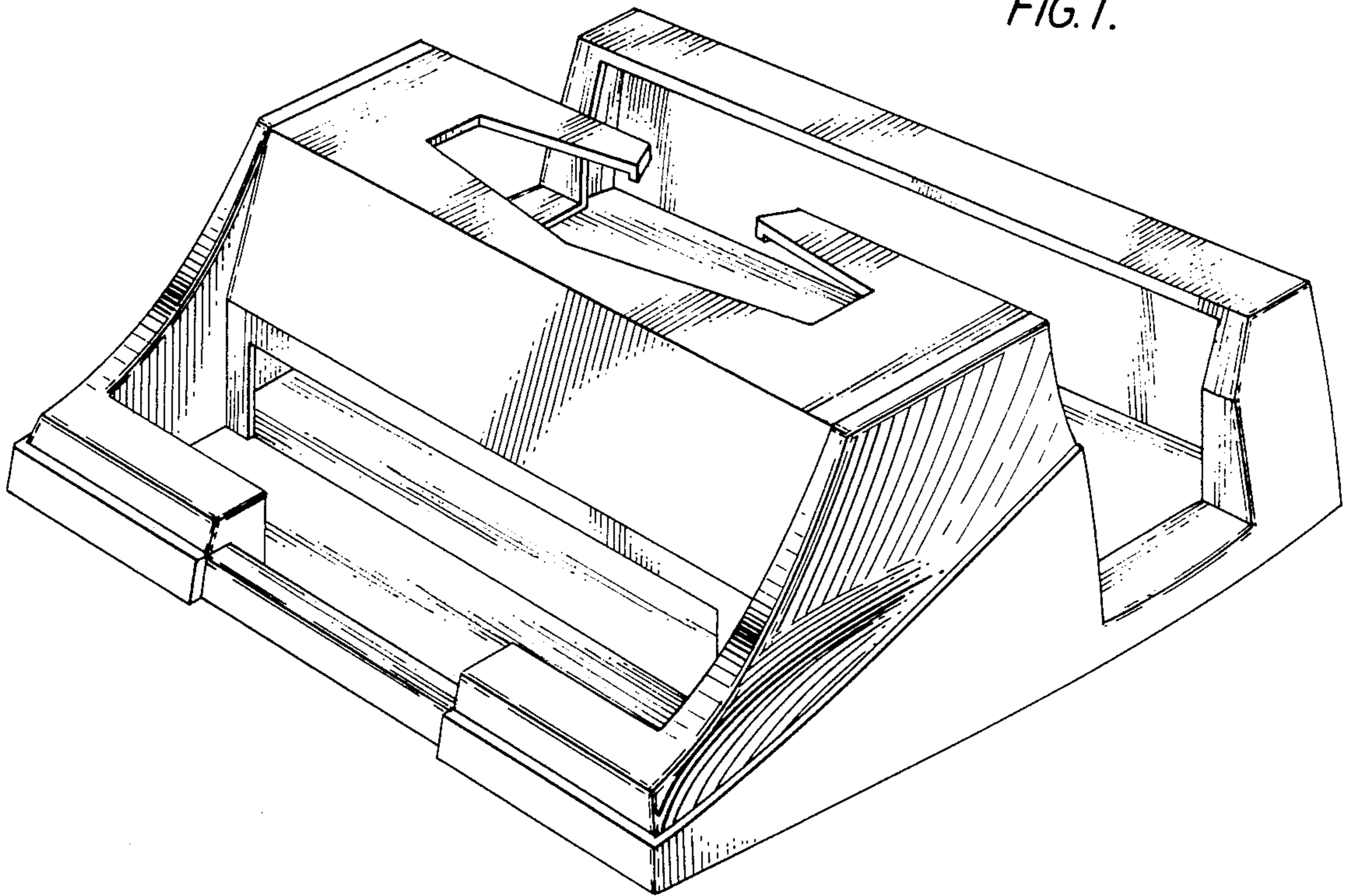


FIG. 2.

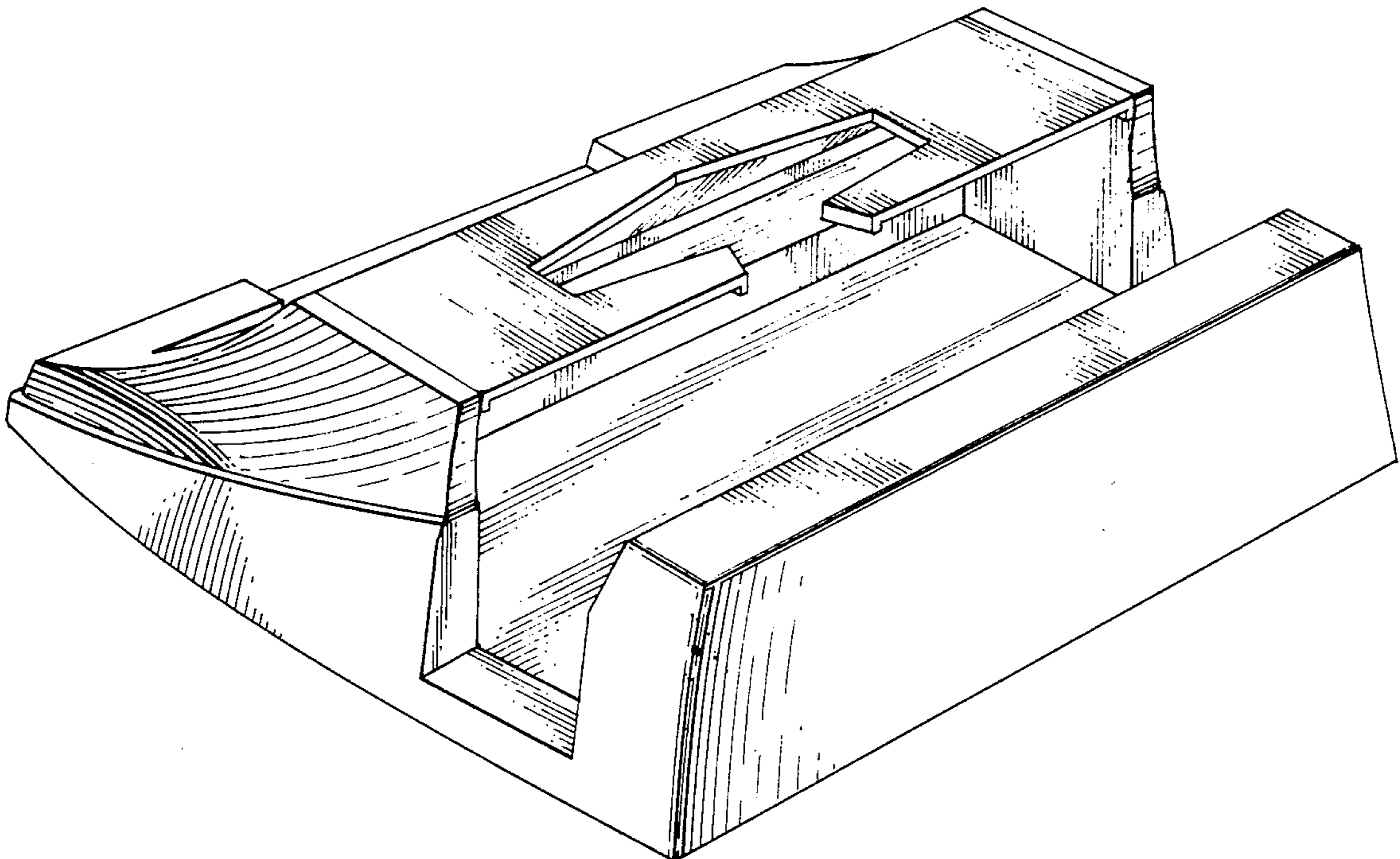


FIG. 3.

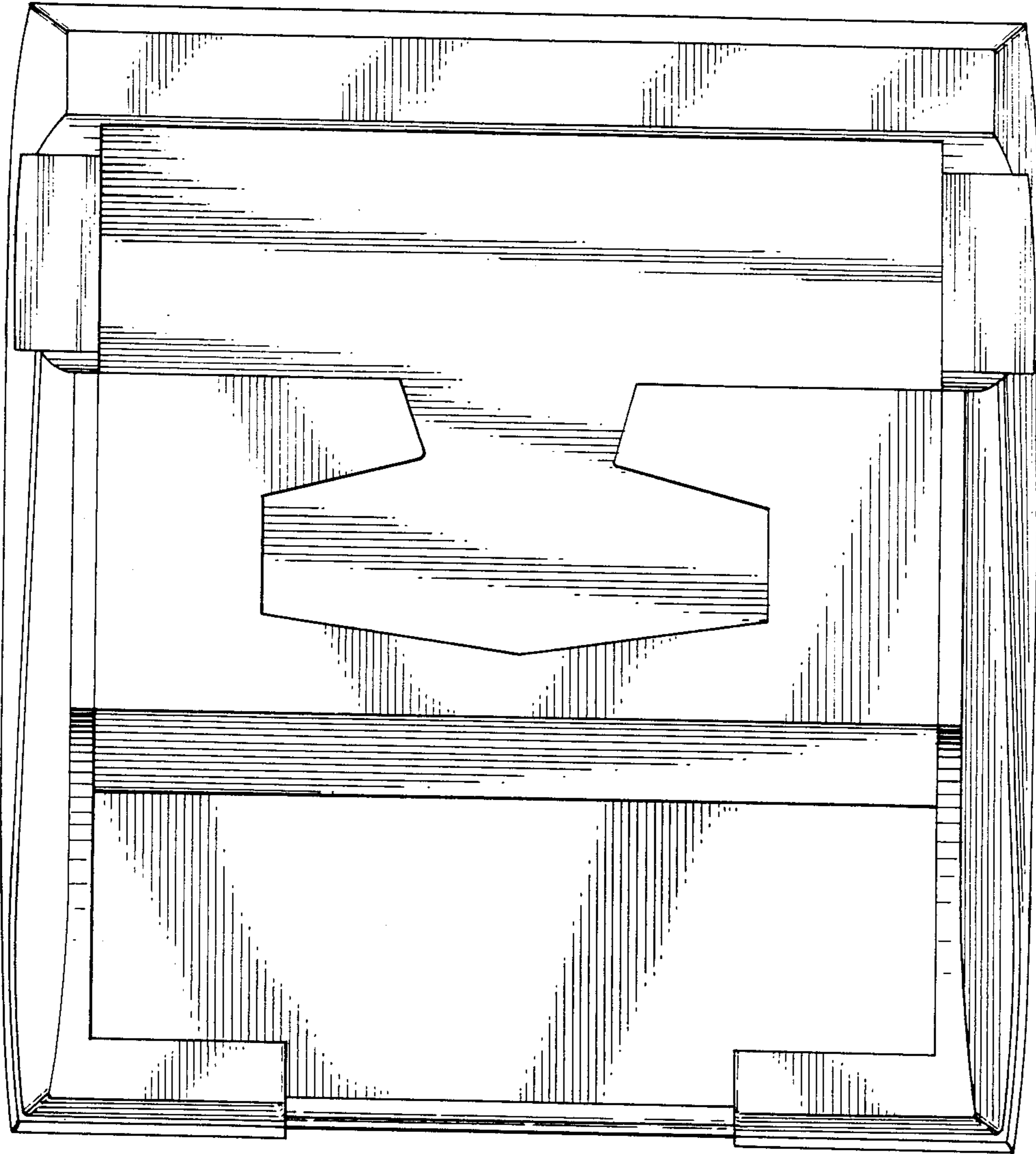


FIG. 4.

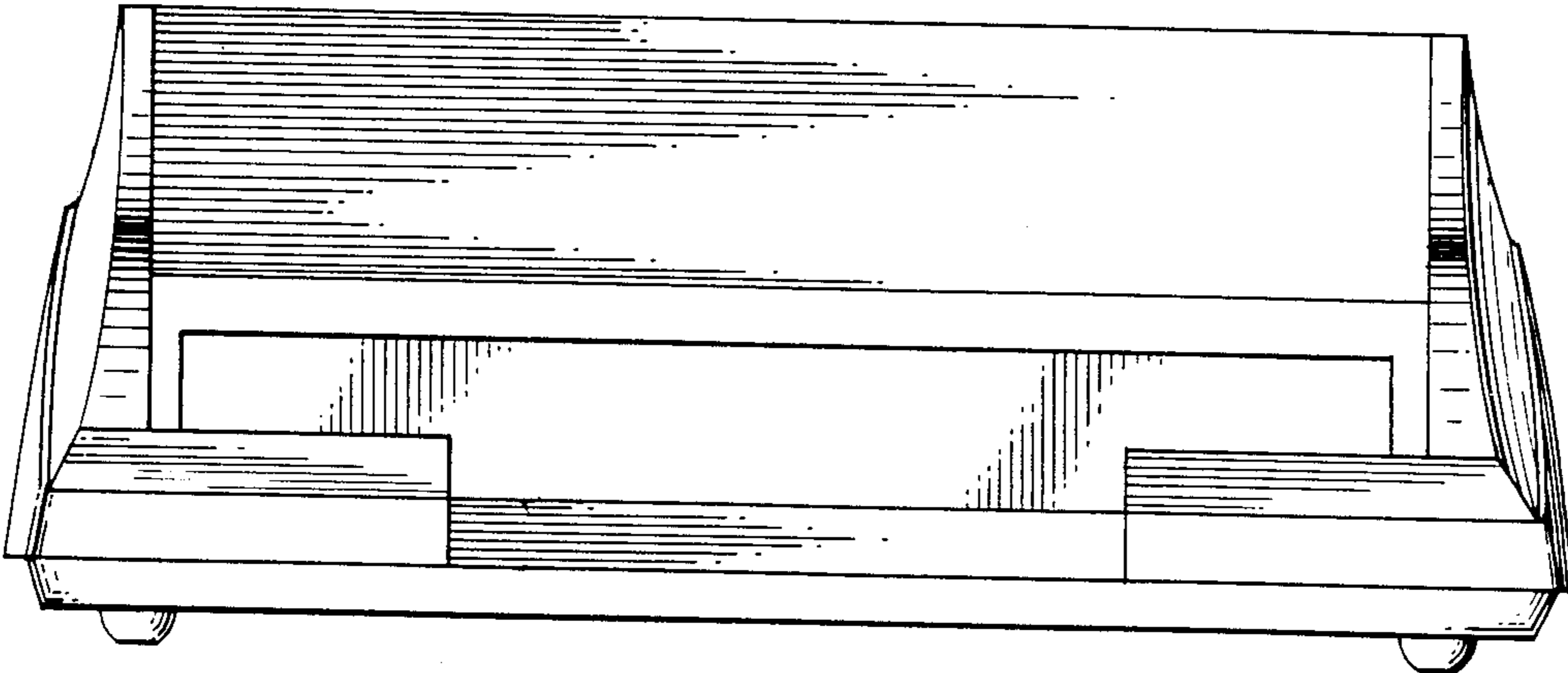


FIG. 5.

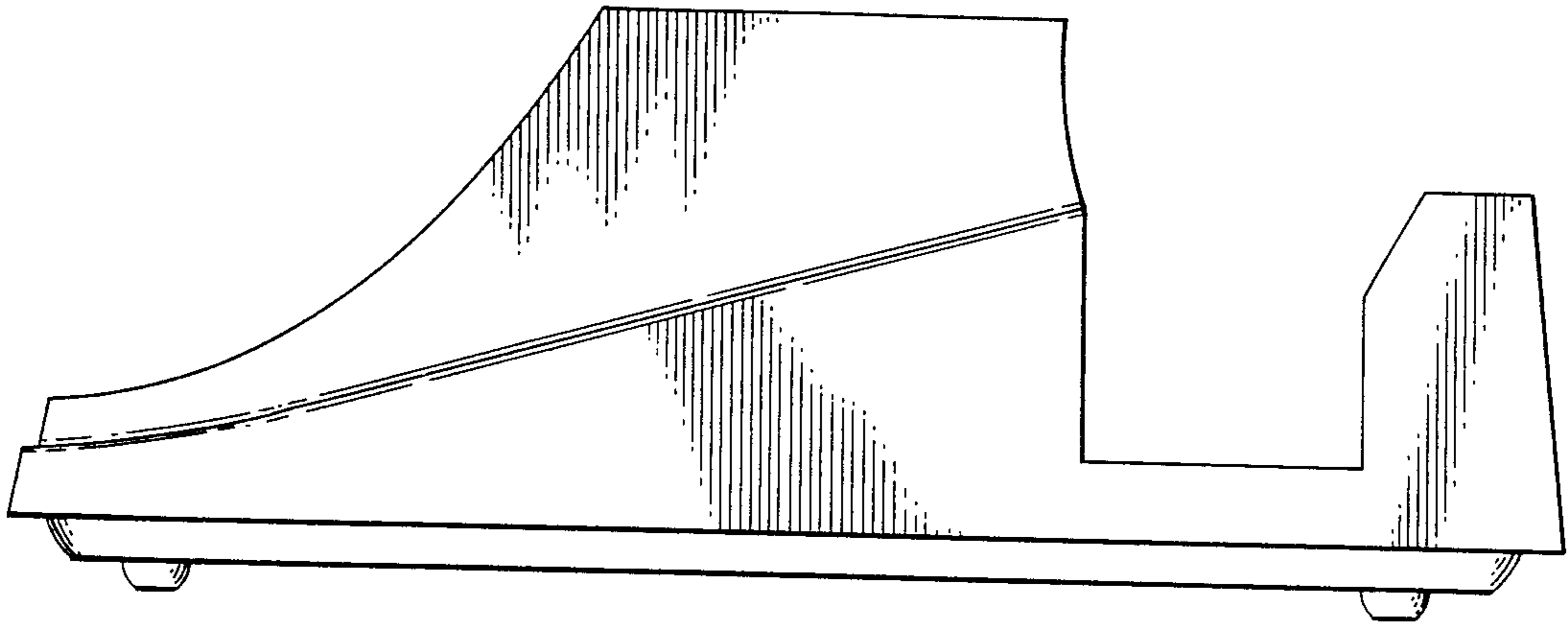


FIG. 6.

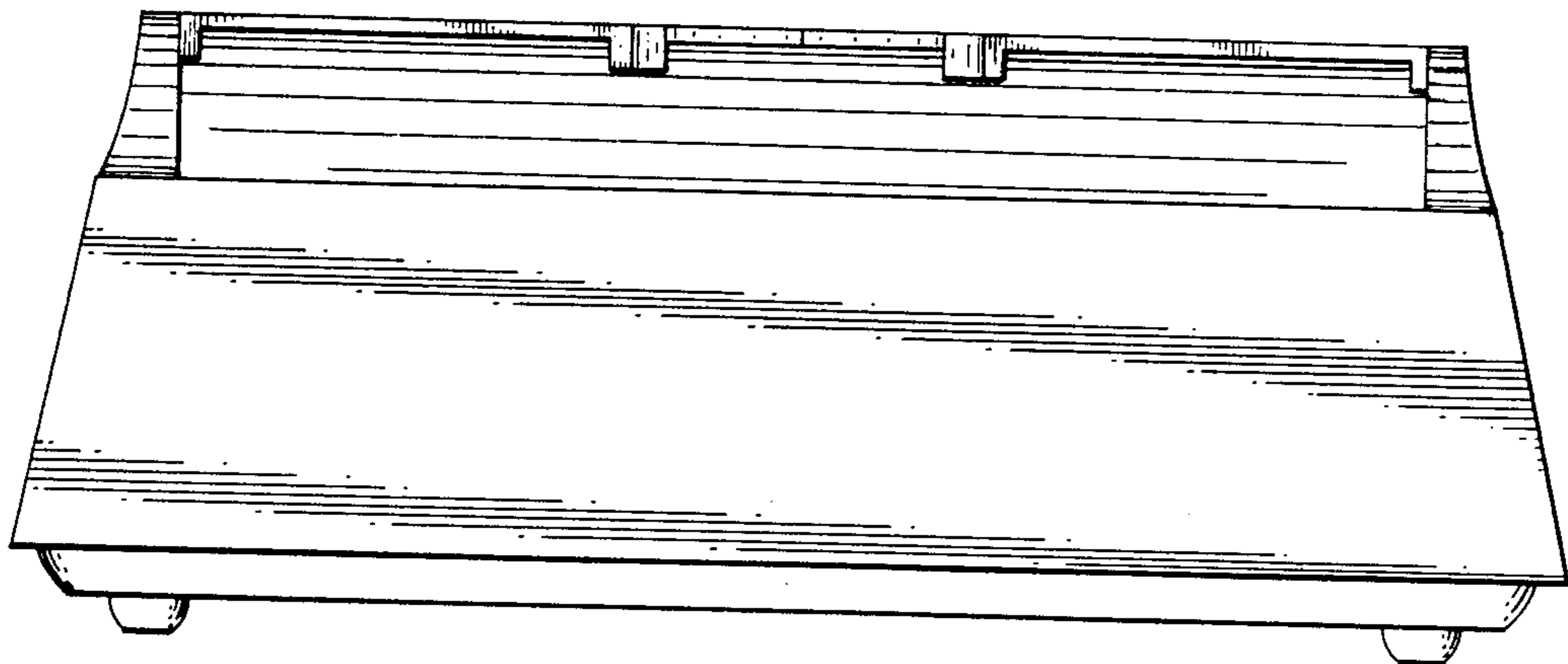


FIG. 7.

