

[54] ELECTRONIC MUSICAL ACCESSORY

[75] Inventors: **Herbert Ross**, Bronx, N.Y.; **Michael L. Beigel**, Glenwood, N.J.

[73] Assignee: **Musitronics Corporation**, Rosemont, N.J.

[**] Term: **14 Years**

[21] Appl. No.: **649,738**

[22] Filed: **Jan. 16, 1976**

[51] Int. Cl. **D14-03**

[52] U.S. Cl. **D14/96**

[58] Field of Search 84/1.24, 1.25, 1.26;
D26/14 L, 14 M

[56] **References Cited**

U.S. PATENT DOCUMENTS

D. 210,026	1/1968	Kahn	D26/14 M
D. 236,212	8/1975	Beigel et al.	D26/14 L

OTHER PUBLICATIONS

Lafayette Electronics Cat. No. 750, © 1974, p. 116. Item No. 2, Super Fuzz Sound Box.

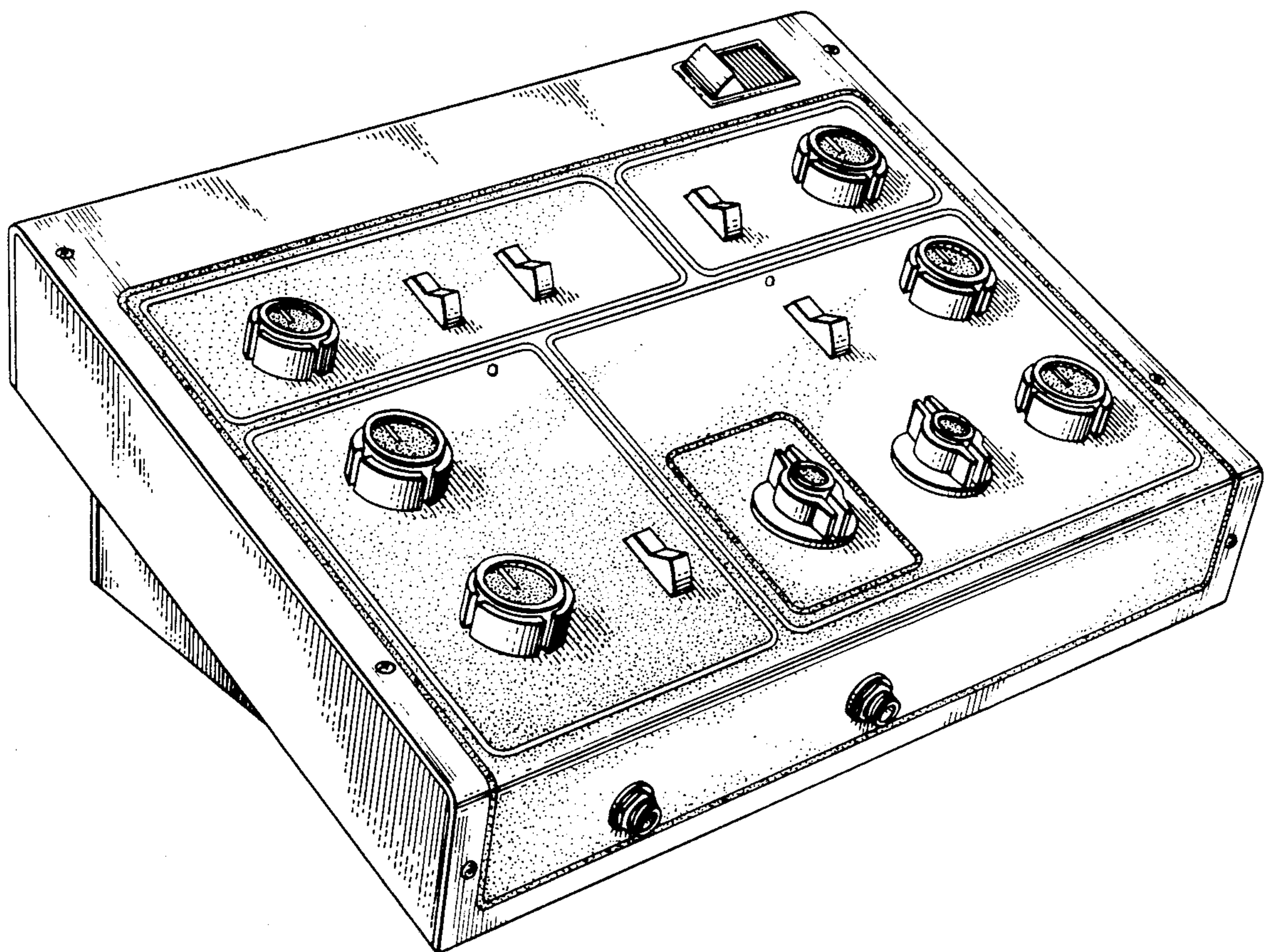
Primary Examiner—Bernard Ansher
Attorney, Agent, or Firm—William S. Frommer

[57] **CLAIM**

The ornamental design for an electronic musical accessory, as shown.

DESCRIPTION

FIG. 1 is a perspective view of our design for an electronic musical accessory;
FIG. 2 is a bottom perspective view thereof;
FIG. 3 is a top plan view thereof;
FIG. 4 is a front end view thereof;
FIG. 5 is a rear end view thereof;
FIG. 6 is a left side elevational view thereof; and
FIG. 7 is a right side elevational view thereof.



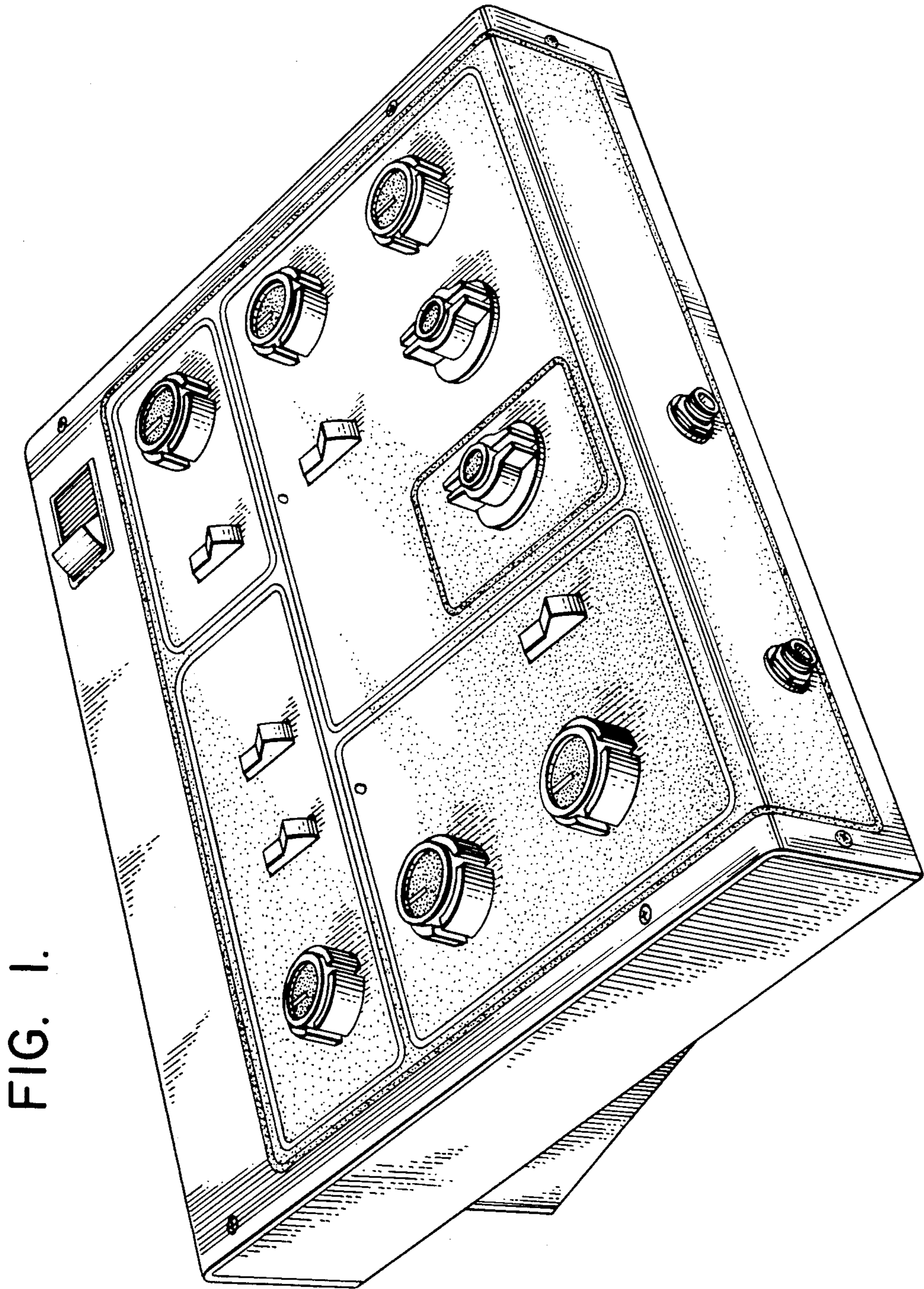
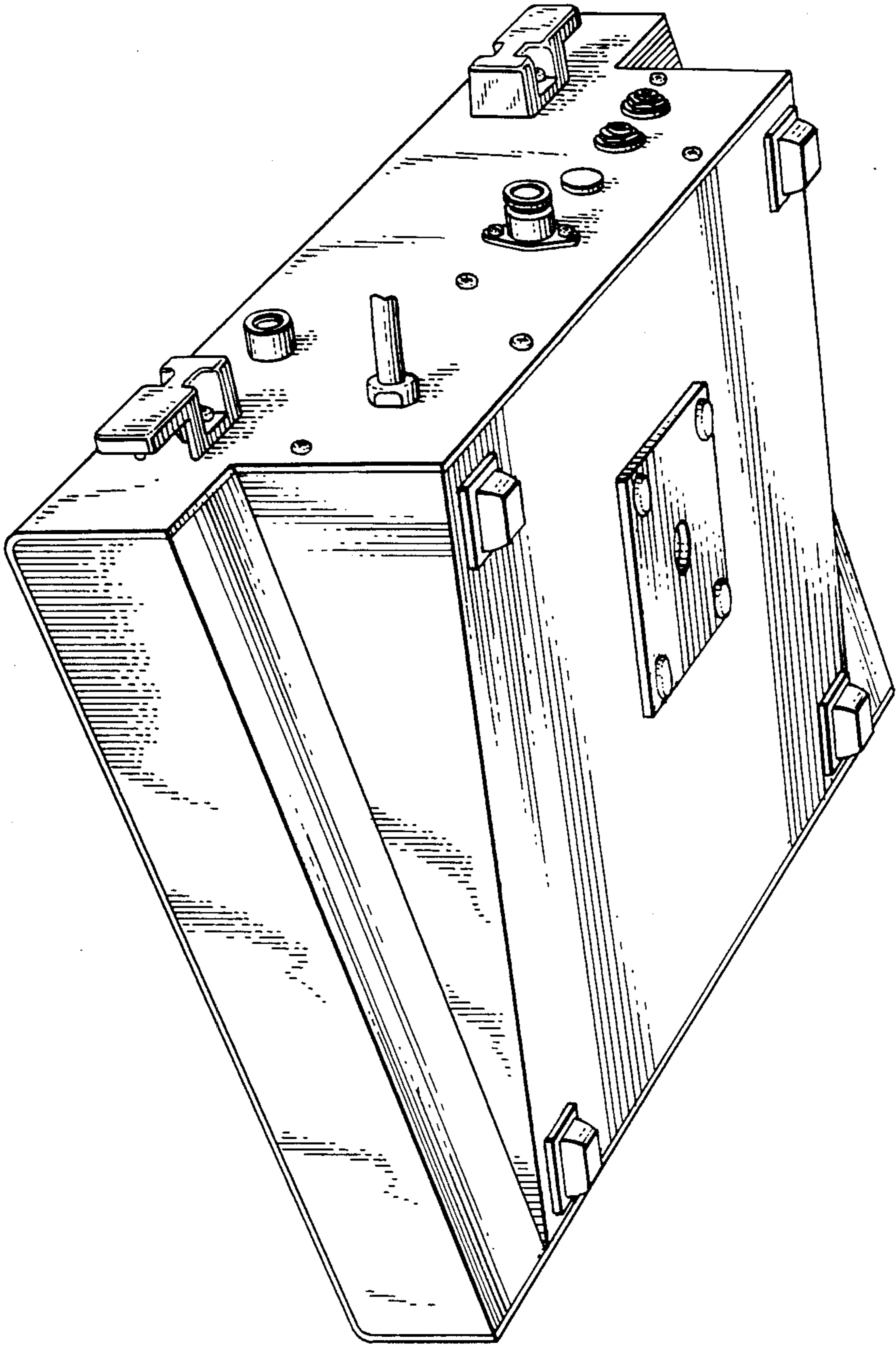


FIG. 1.

FIG. 2.



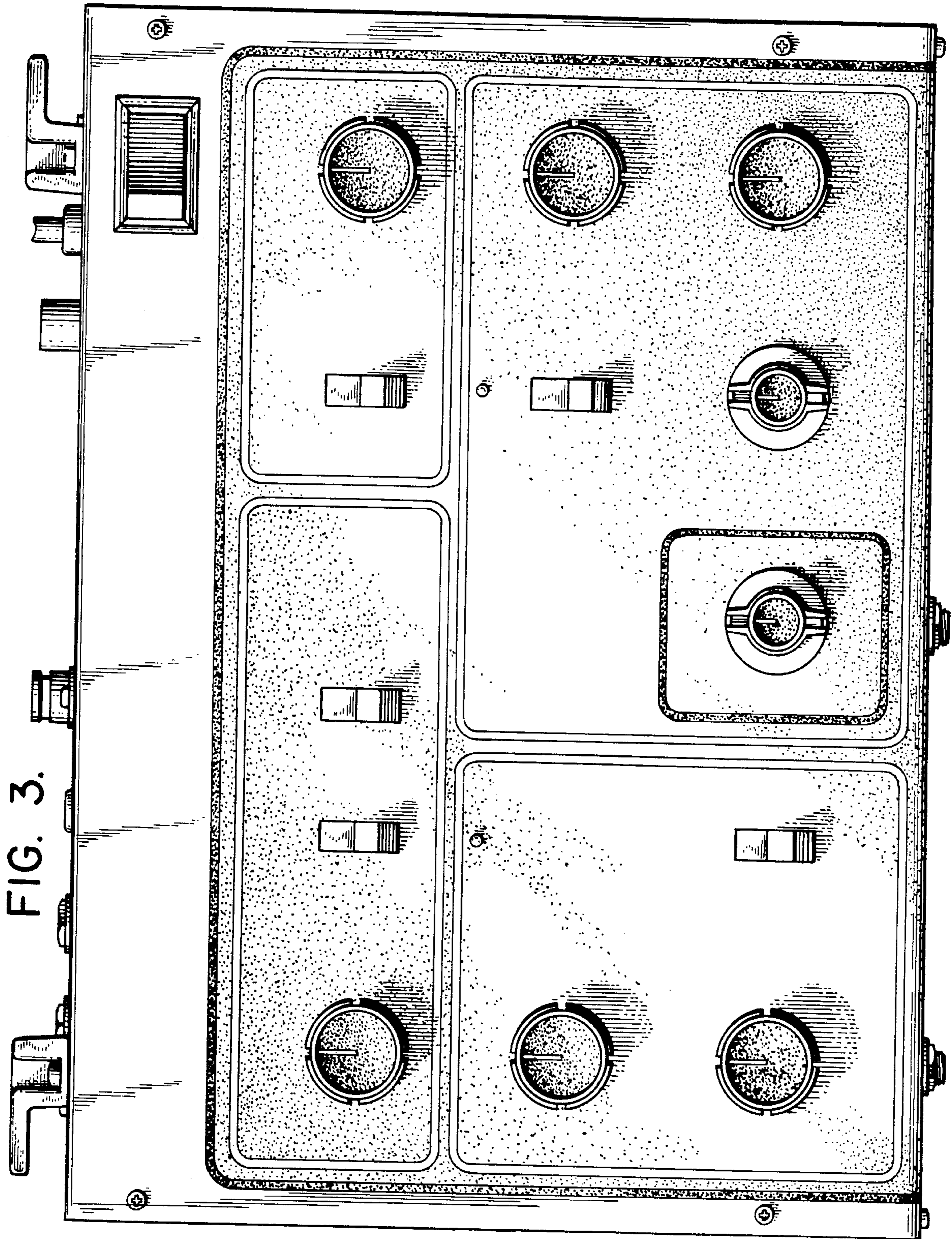


FIG. 4.

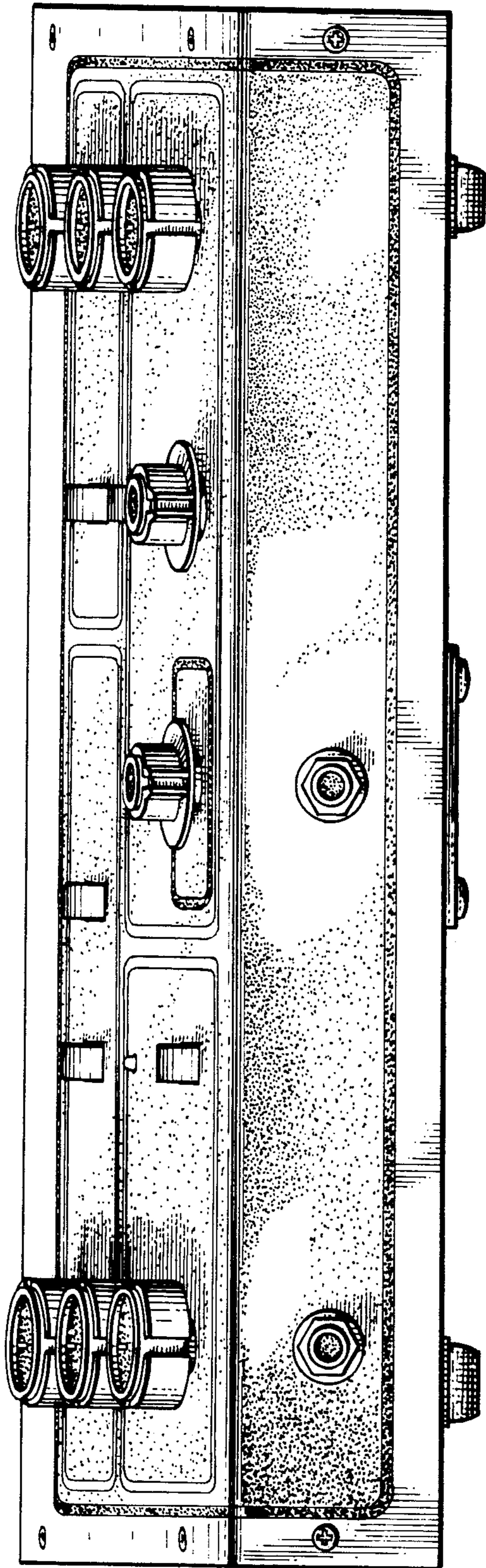


FIG. 5.

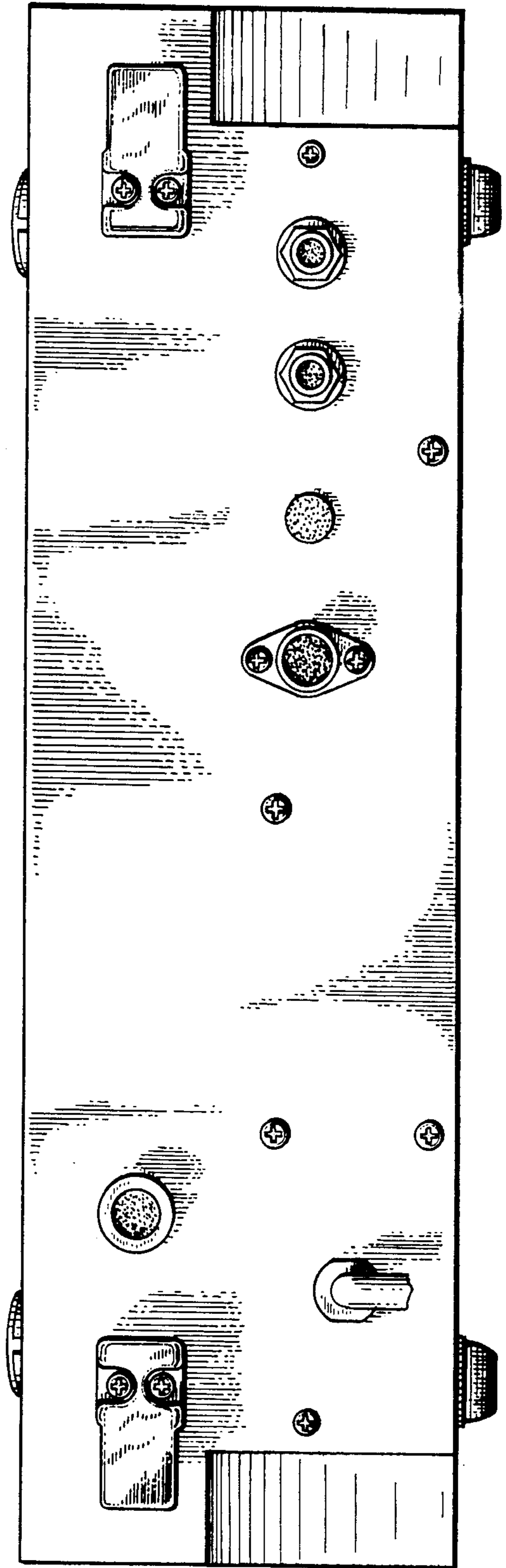


FIG. 6.

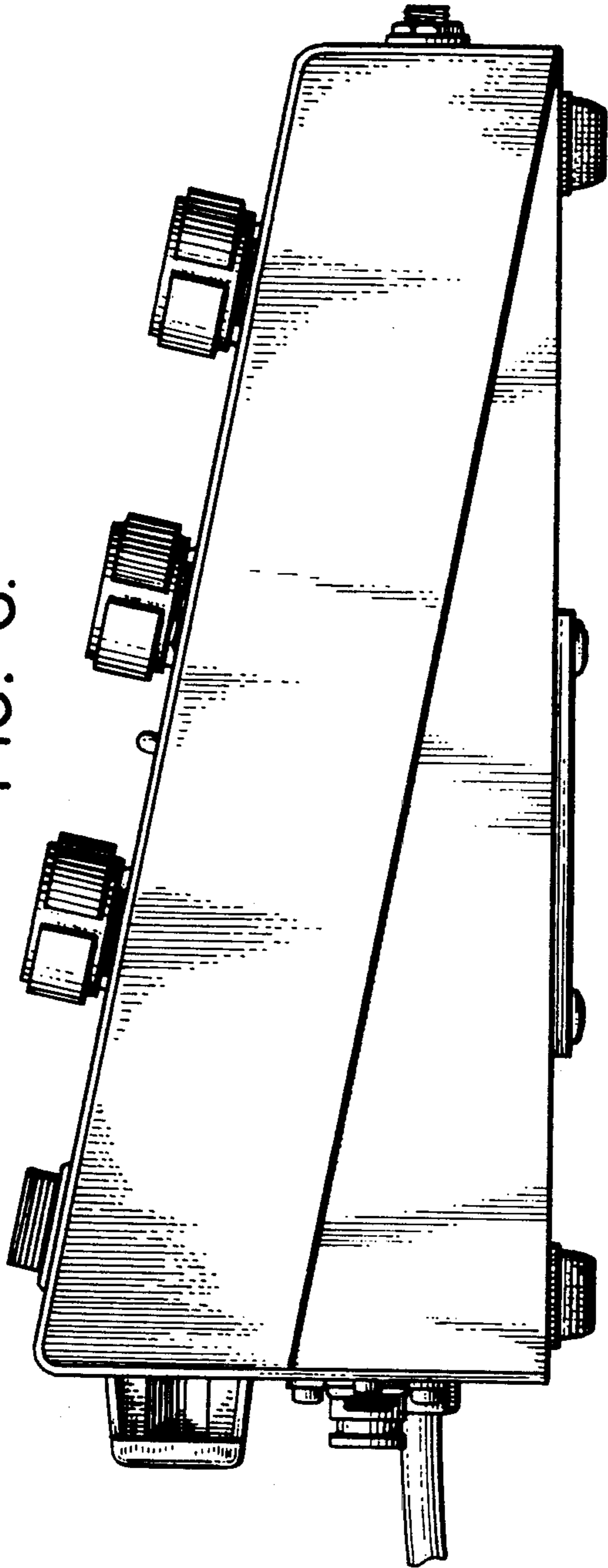


FIG. 7.

