

[54] **TERMINAL FOR A VIDEO TELEPHONE UNIT**

[75] Inventors: **Edward Edmund Benham**, Greenwich; **Walter A. Menn**, Stamford, both of Conn.; **Douglas M. Spranger**, Brooklyn; **Malcolm J. Brookes**, New York, both of N.Y.

[73] Assignee: **International Telephone and Telegraph Corporation**, New York, N.Y.

[\*\*] Term: **14 Years**

[21] Appl. No.: **550,524**

[22] Filed: **Feb. 18, 1975**

[51] Int. Cl. .... **D14-03**

[52] U.S. Cl. .... **D14/54**

[58] Field of Search ..... **D26/14 A, 5 C; 178/6.8**

[56] **References Cited**

**U.S. PATENT DOCUMENTS**

D. 223,672	5/1972	Sjöholm et al. ....	D26/14 A
D. 224,117	7/1972	Genaro et al. ....	D26/14 A
D. 232,560	8/1974	Maddock et al. ....	D26/14 A
D. 237,801	11/1975	Genaro et al. ....	D26/14 A

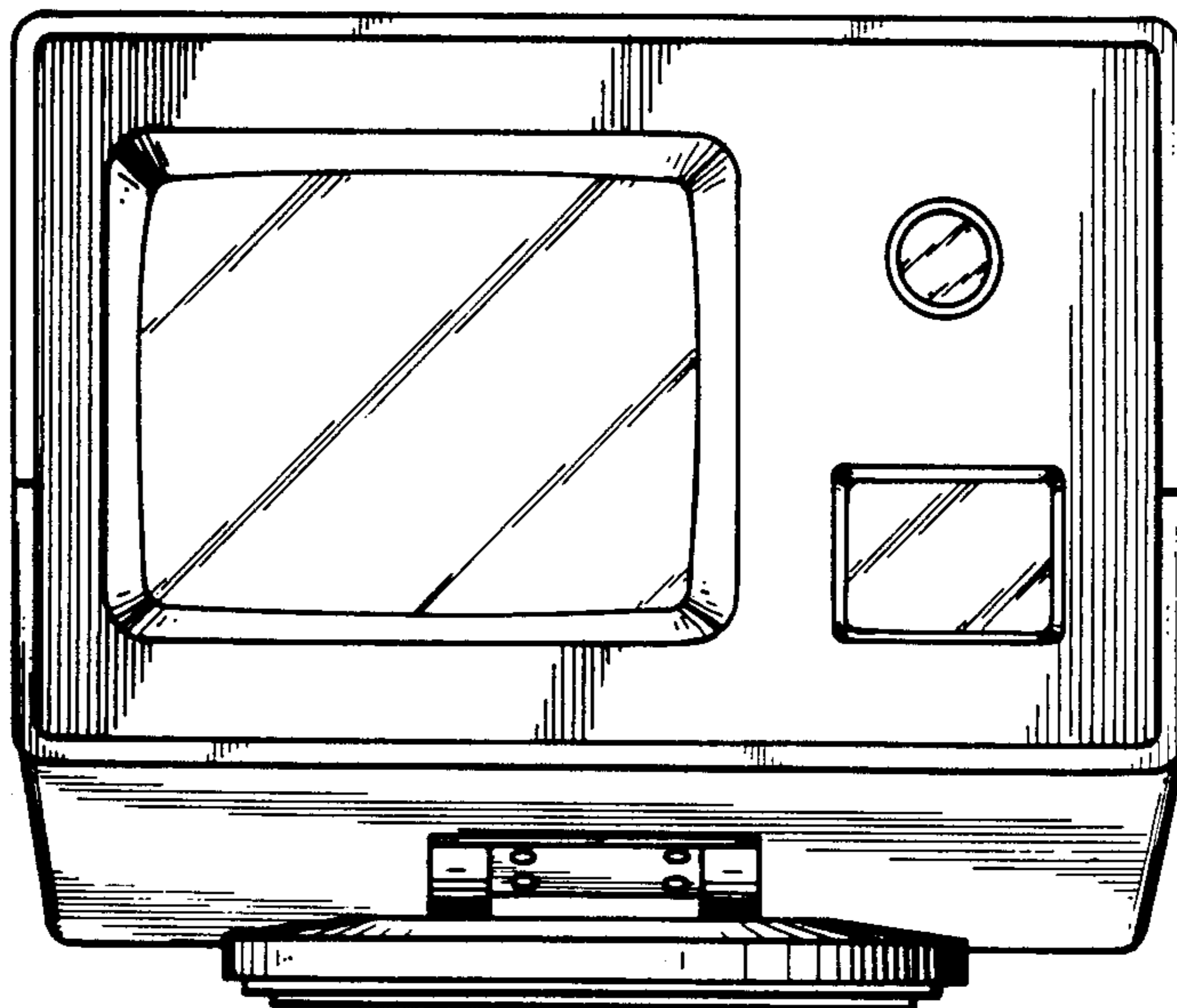
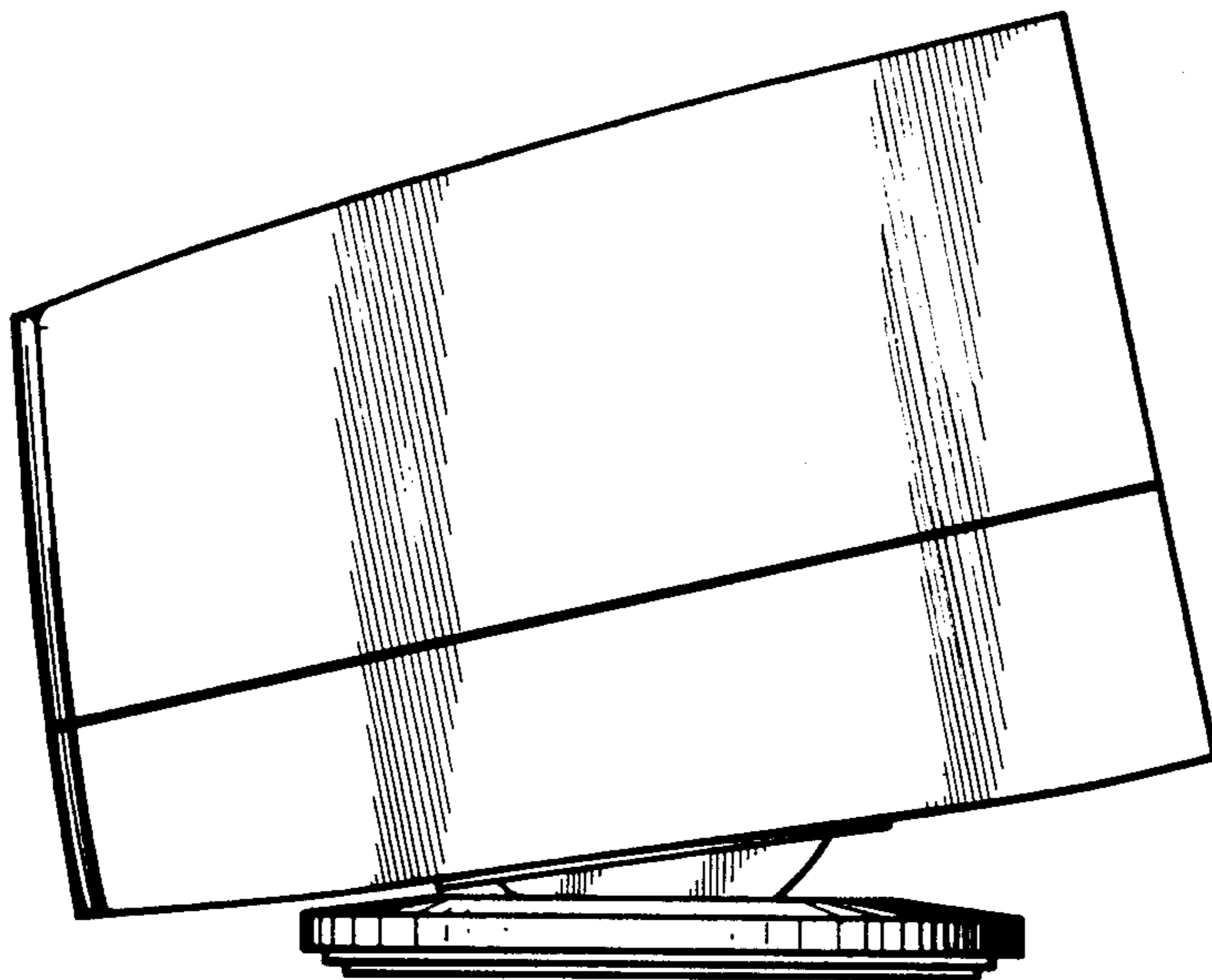
*Primary Examiner*—Bernard Ansher  
*Attorney, Agent, or Firm*—Walter J. Baum

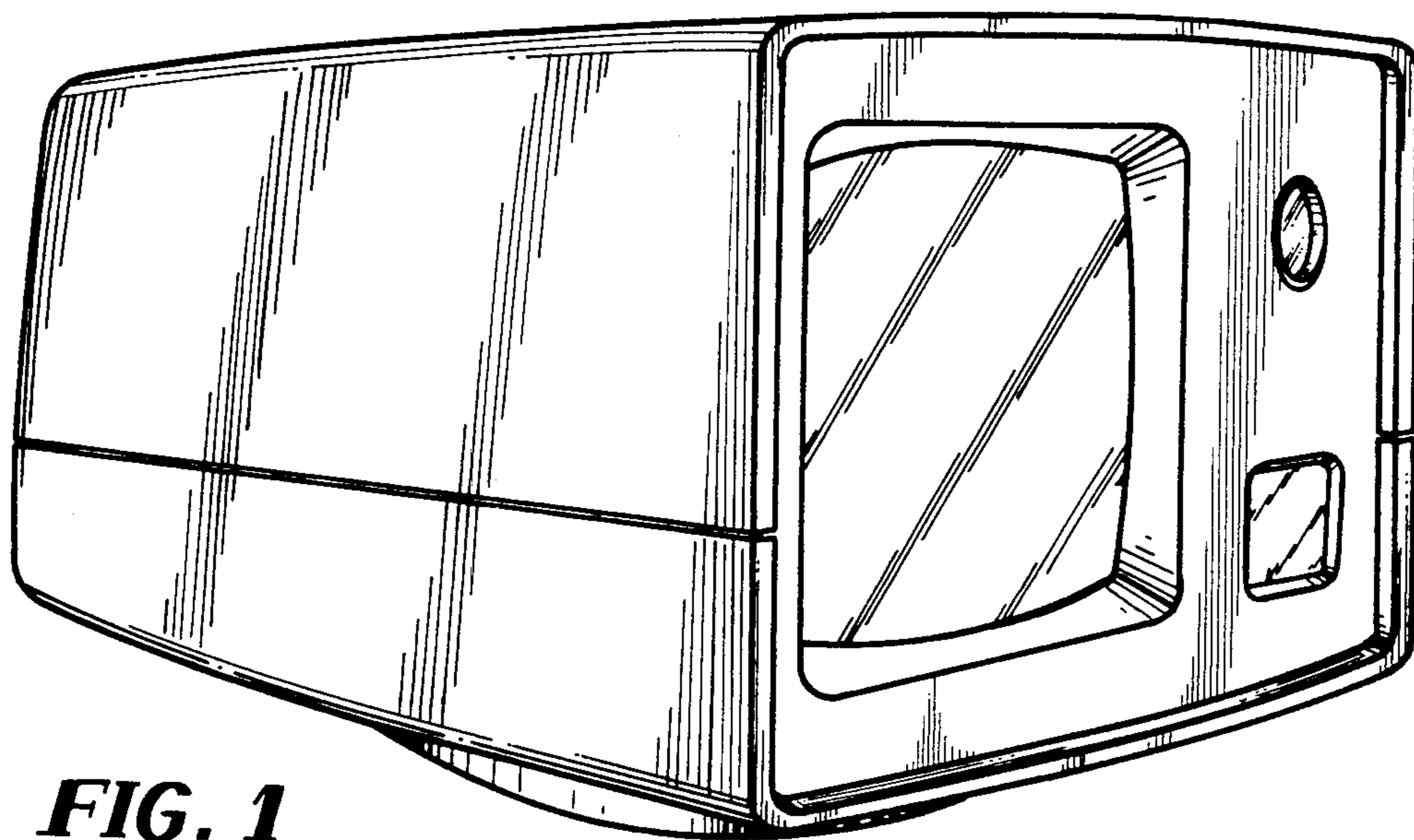
[57] **CLAIM**

The ornamental design of a terminal for a video telephone unit, substantially as shown as described.

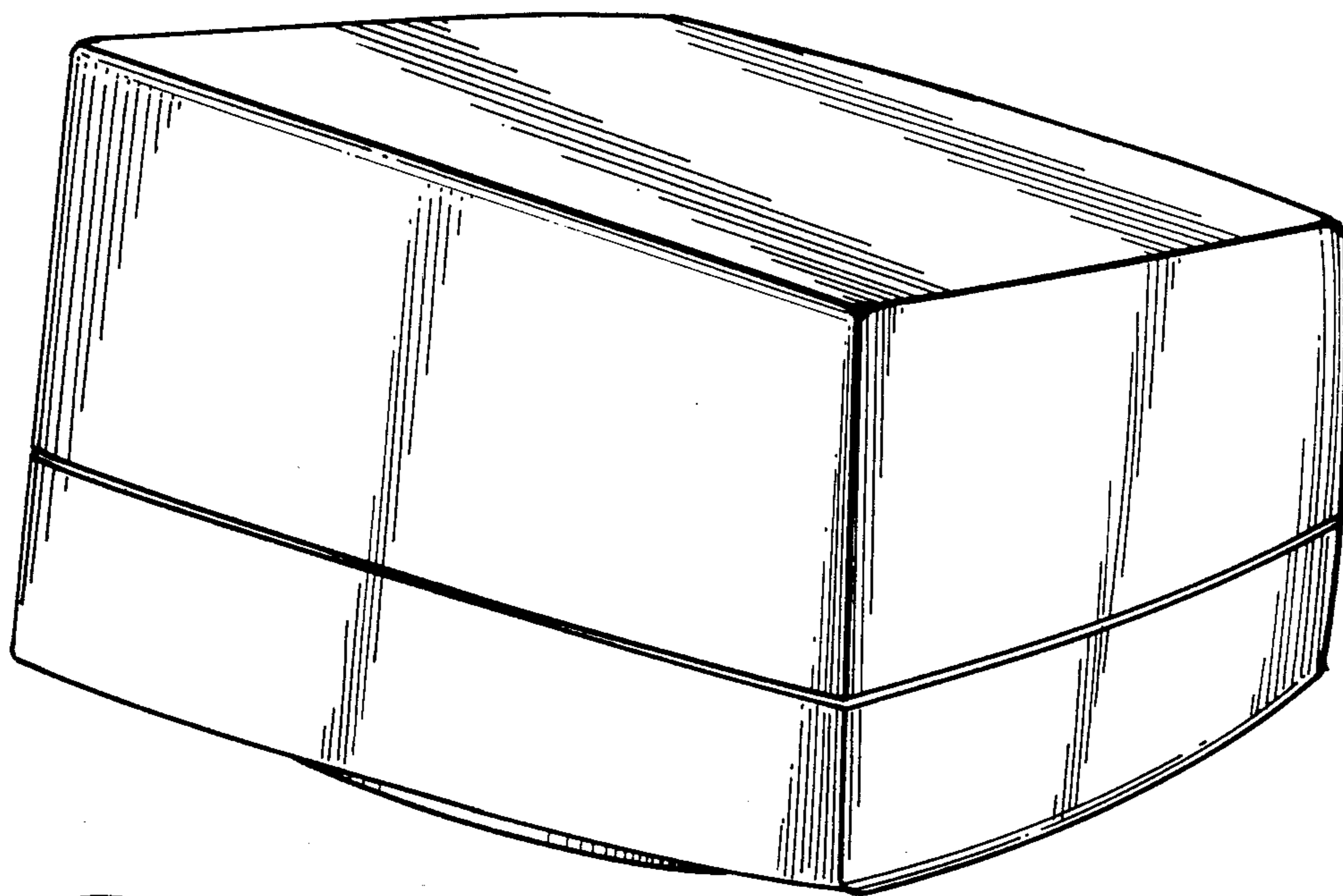
**DESCRIPTION**

FIG. 1 is a front perspective of a terminal for a video telephone unit showing my new design; FIG. 2 is a rear perspective thereof; FIG. 3 is a side elevation thereof; and FIG. 4 is a front elevation thereof.



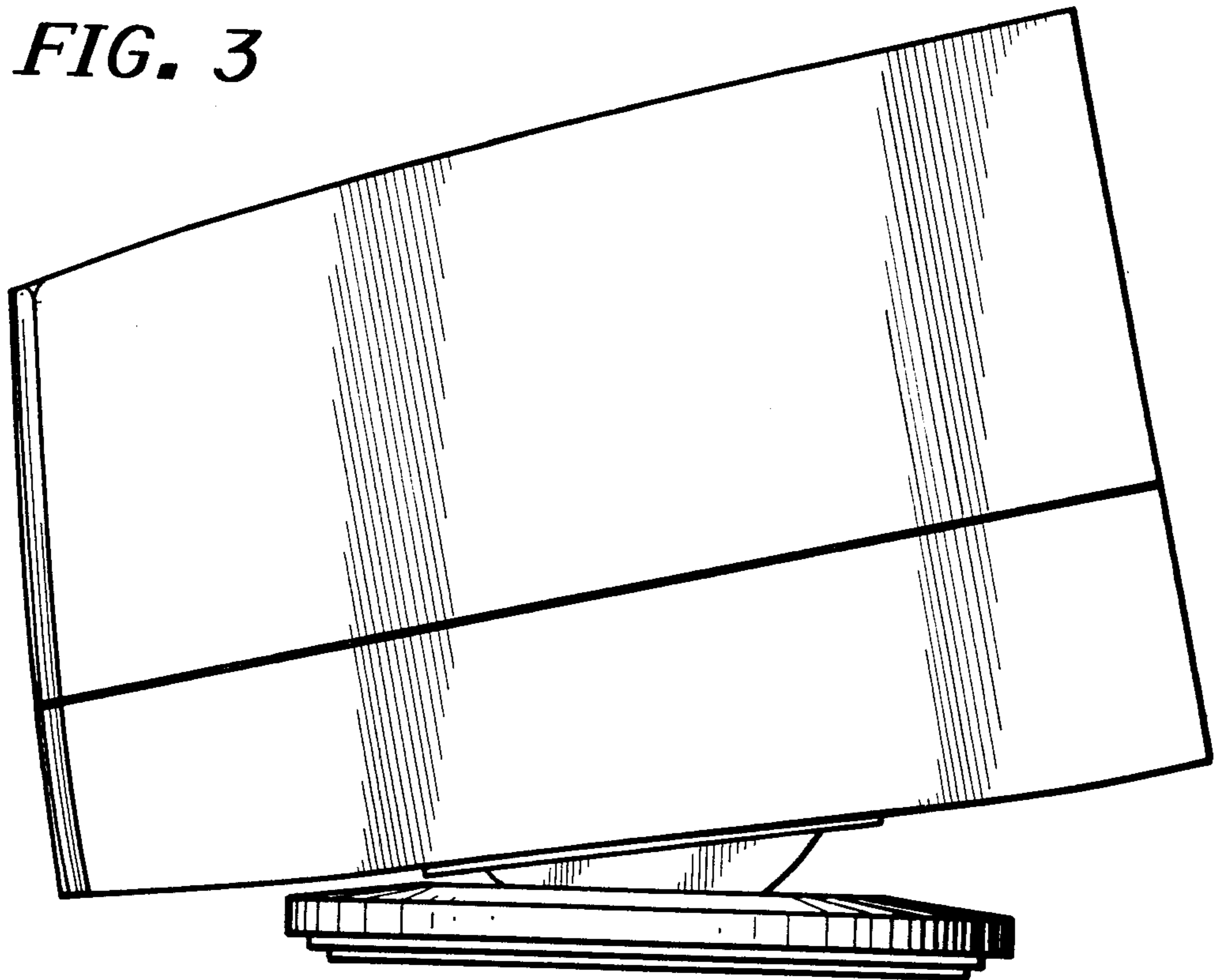


**FIG. 1**



**FIG. 2**

*FIG. 3*



*FIG. 4*

