

[54] MOTOR-TRANSFORMER UNIT

[75] Inventors: Eugene C. Briggs; William C. Wellbaum, both of Bowling Green, Ky.

[73] Assignee: Koehring Company, Milwaukee, Wis.

[\*\*] Term: 14 Years

[21] Appl. No.: 657,257

[22] Filed: Feb. 11, 1976

[51] Int. Cl. .... D13-01

[52] U.S. Cl. .... D13/1

[58] Field of Search ..... D26/5 A; 310/89, 91

[56] References Cited

U.S. PATENT DOCUMENTS

1,241,273 9/1917 Pilblad ..... 310/89 X

Primary Examiner—Wallace R. Burke  
Assistant Examiner—Christine M. Nucker  
Attorney, Agent, or Firm—Jerome P. Bloom

[57] CLAIM

The ornamental design for a motor-transformer unit, substantially as shown and described.

DESCRIPTION

FIG. 1 is a perspective view of the motor-transformer unit as seen from the side, top and one end thereof; FIG. 2 is a side elevation view of the motor transformer unit; FIG. 3 is a side elevation view of the opposite side of the motor-transformer unit; FIG. 4 is a top view of the motor-transformer unit; FIG. 5 is a bottom view of the motor-transformer unit; FIG. 6 is a rear end view of the motor-transformer unit; and FIG. 7 is a view of the opposite end of said motor-transformer unit.

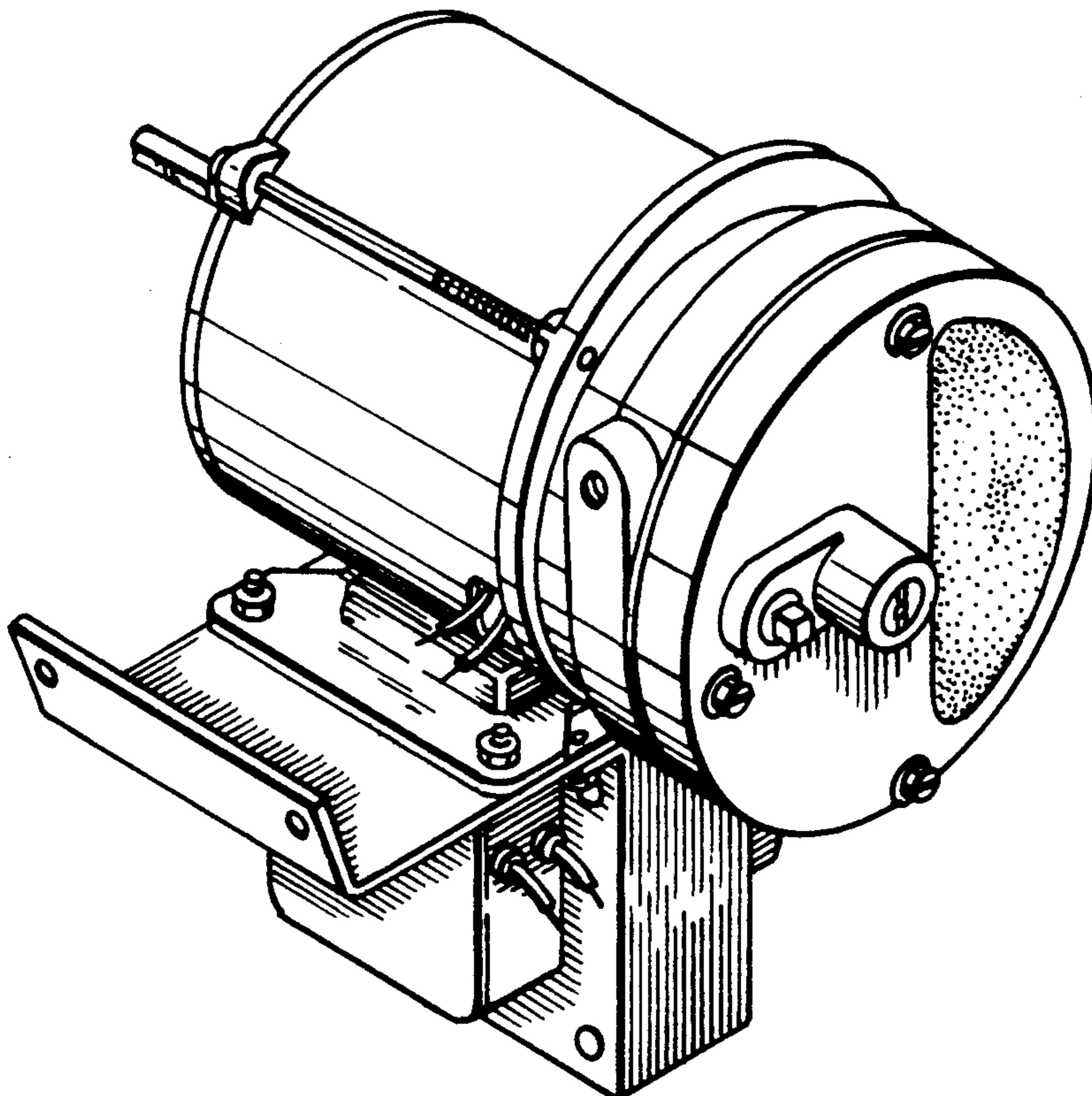
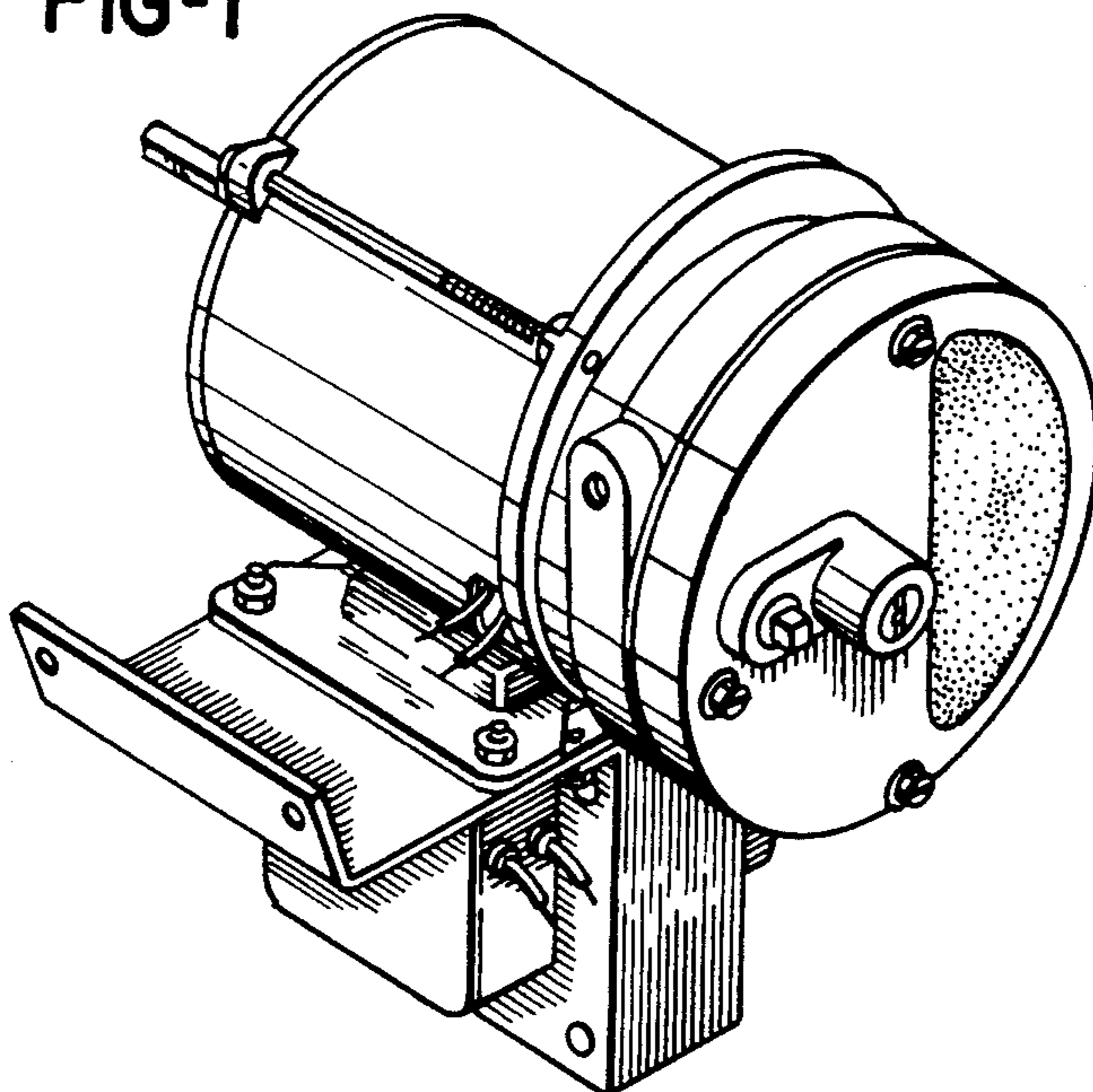


FIG-1



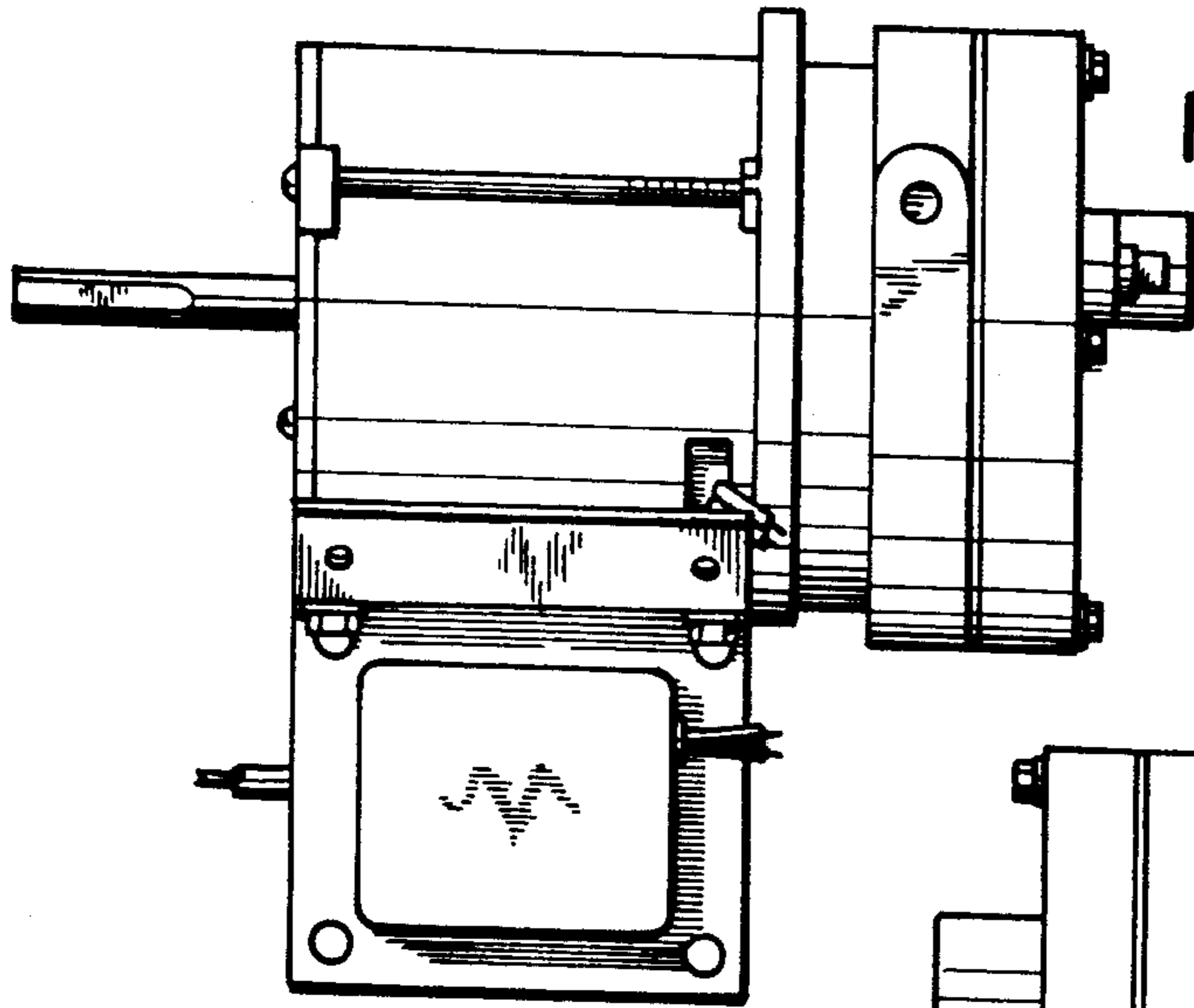


FIG-2

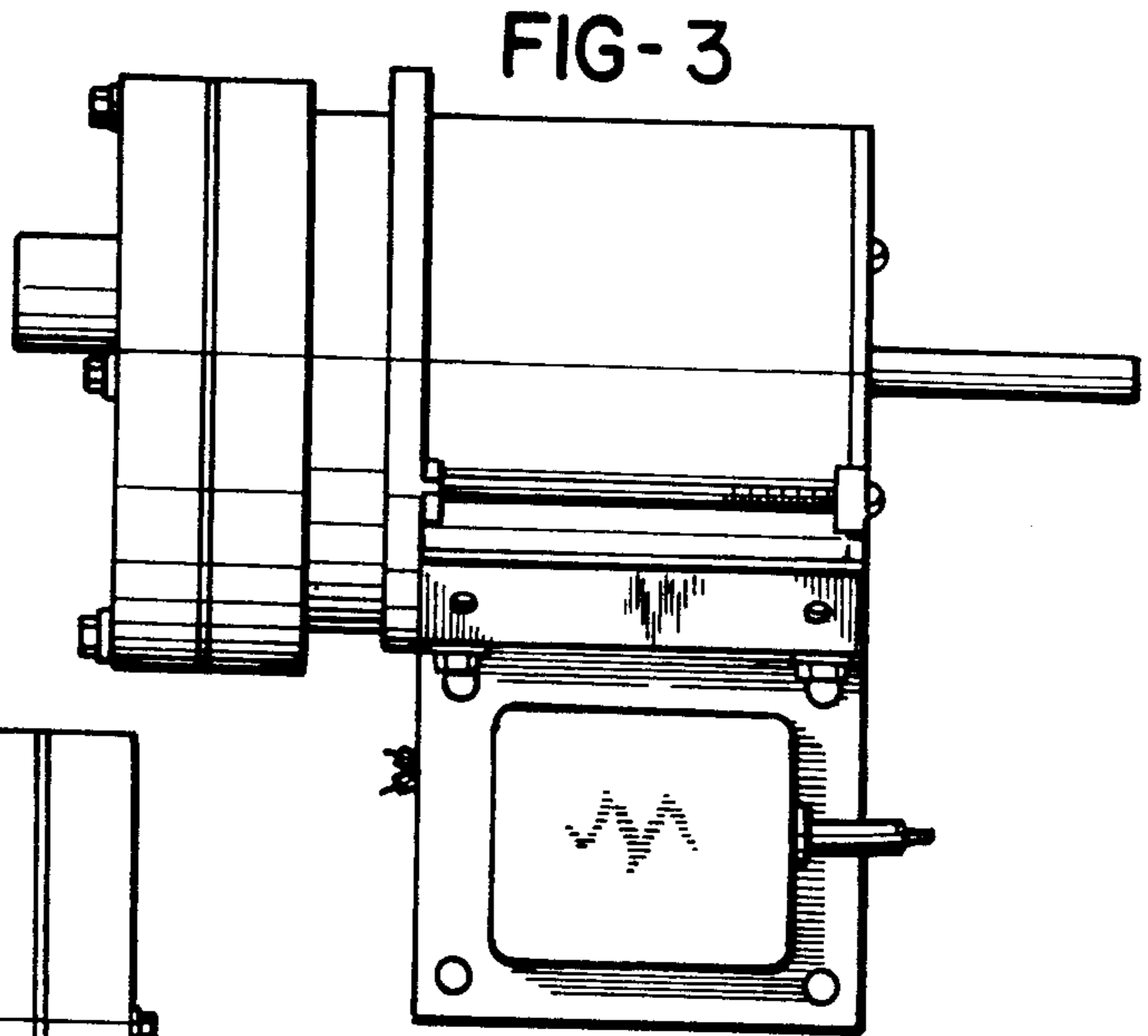


FIG-3

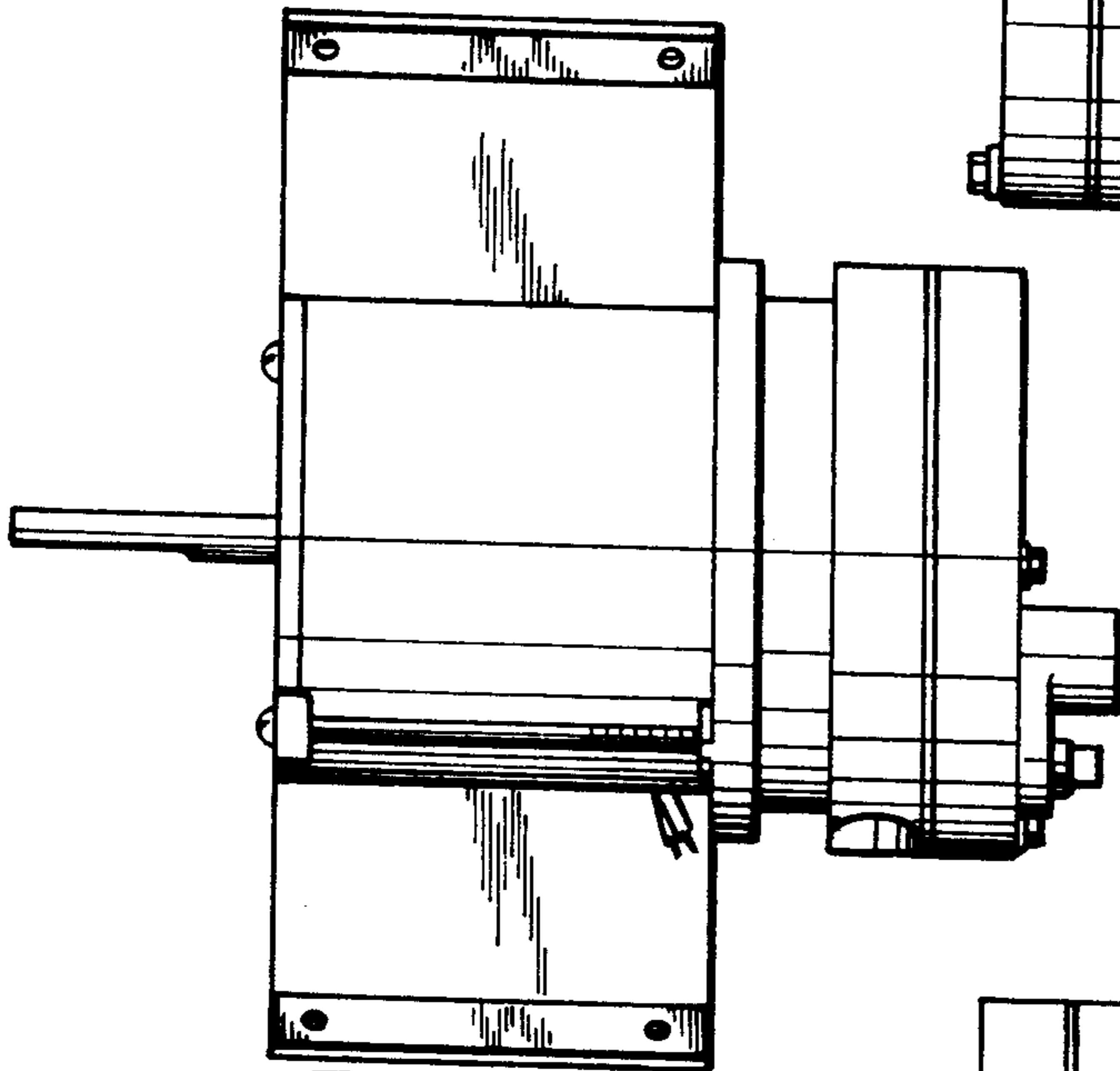


FIG-4

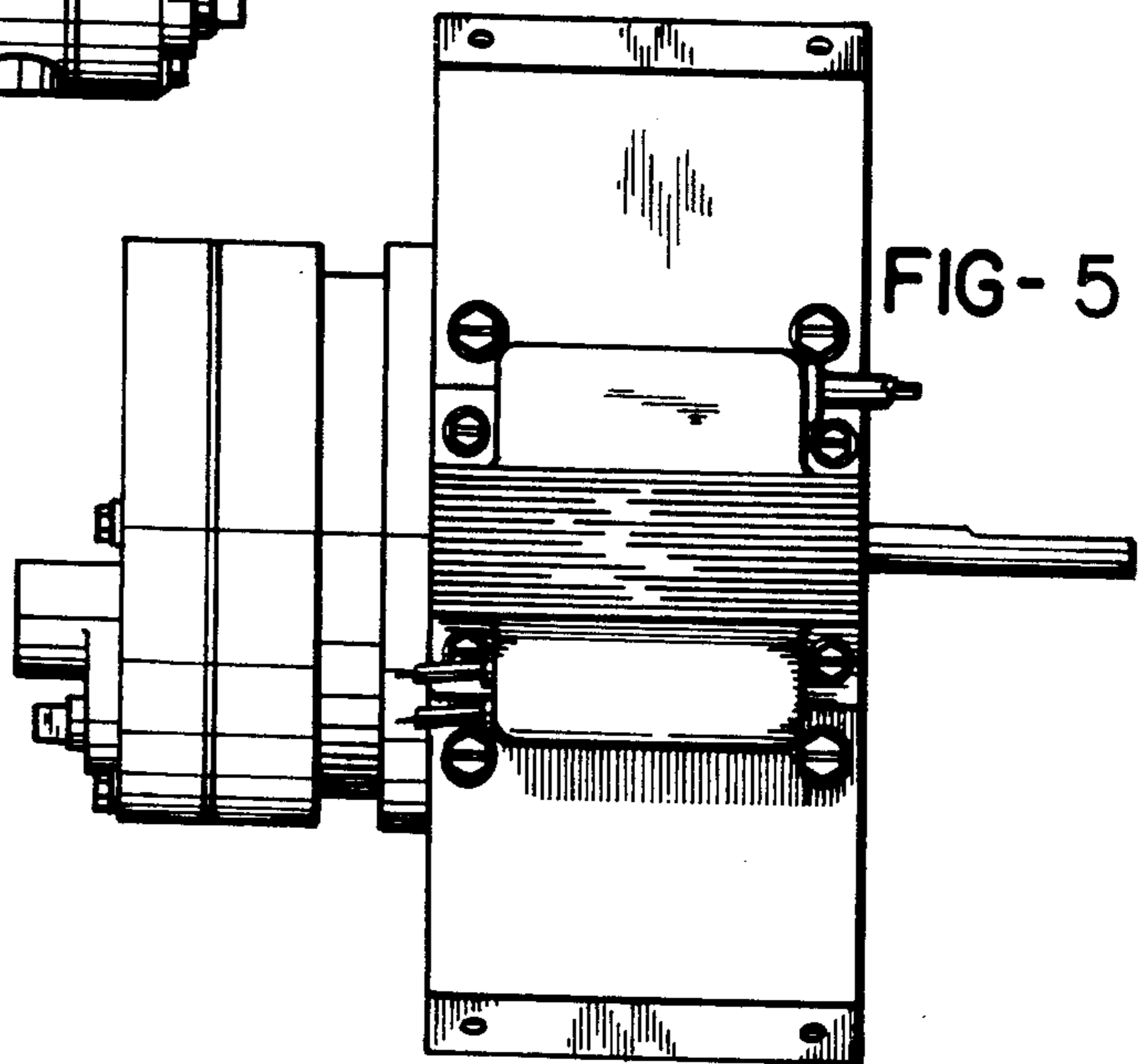


FIG-5

