

[54] ANEMOMETER GENERATOR FRAME

[76] Inventor: R. A. Simerl, 528 Epping Forest Road, Annapolis, Md. 21401

[**] Term: 14 Years

[21] Appl. No.: 614,645

[22] Filed: Sept. 18, 1975

[51] Int. Cl. D13-01

[52] U.S. Cl. D10/103

[58] Field of Search D10/46, 59, 60, 96, D10/97; D26/5 A; D55/1 H, 1 R; 73/189, 229

[56] References Cited

U.S. PATENT DOCUMENTS

3,020,963	2/1962	Hakkarinen	D10/96
D. 181,417	11/1957	Lane	D26/5 A
D. 237,951	12/1975	Simerl	D10/96

OTHER PUBLICATIONS

Product Engineering, 10/12/59, p. 28, inset motorpart.

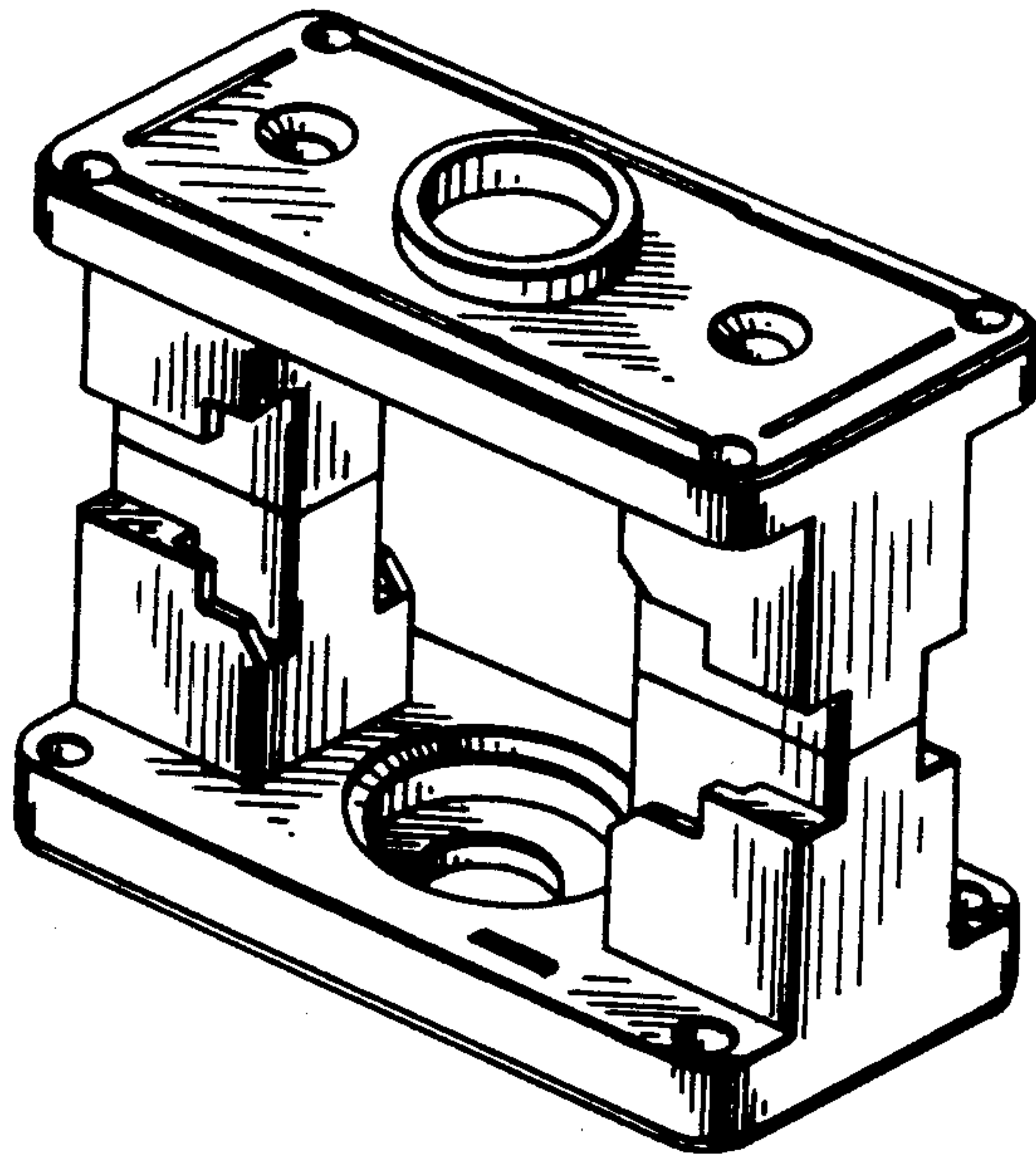
Primary Examiner—Nelson C. Holtje
Attorney, Agent, or Firm—Hugh D. Jaeger

[57] CLAIM

The ornamental design for an anemometer generator frame, as shown.

DESCRIPTION

FIG. 1 is a front and side isometric view of an anemometer generator frame showing my new design; FIG. 2 is a right side elevational view thereof; FIG. 3 is a vertical cross section taken along lines 3—3 of FIG. 2; FIG. 4 is a top plan view thereof, the bottom being identical thereto; FIG. 5 is a longitudinal cross-section taken along lines 5—5 of FIG. 4.



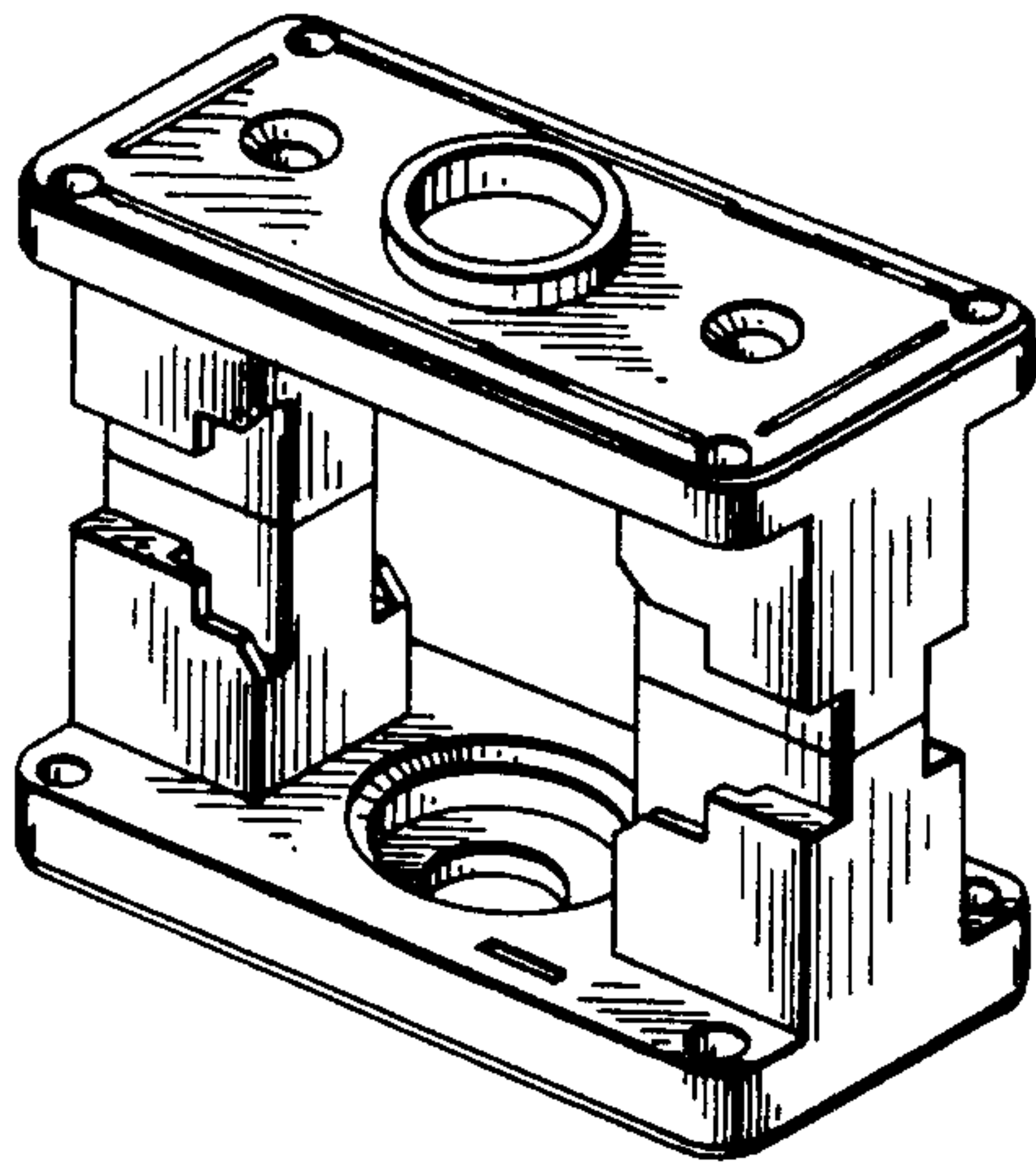


FIG. 1

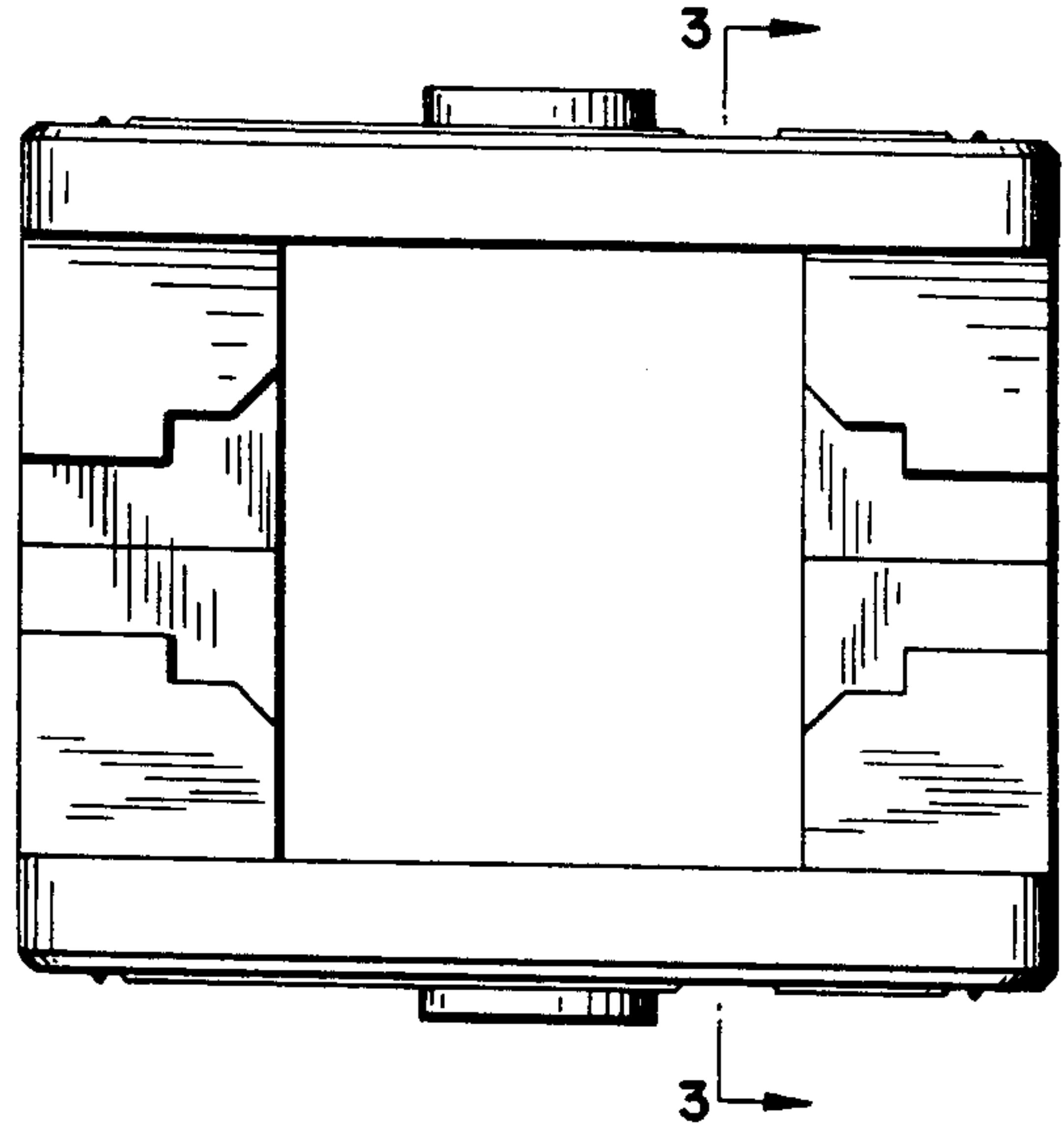


FIG. 2

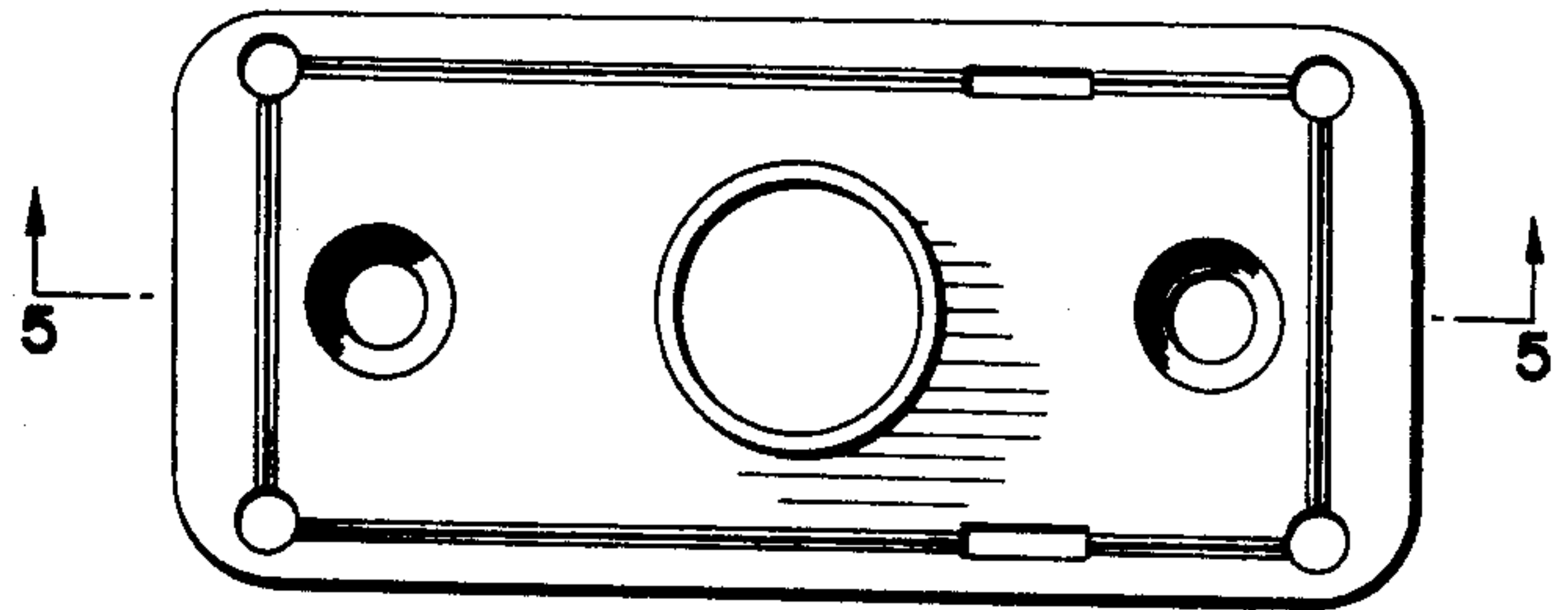


FIG. 4

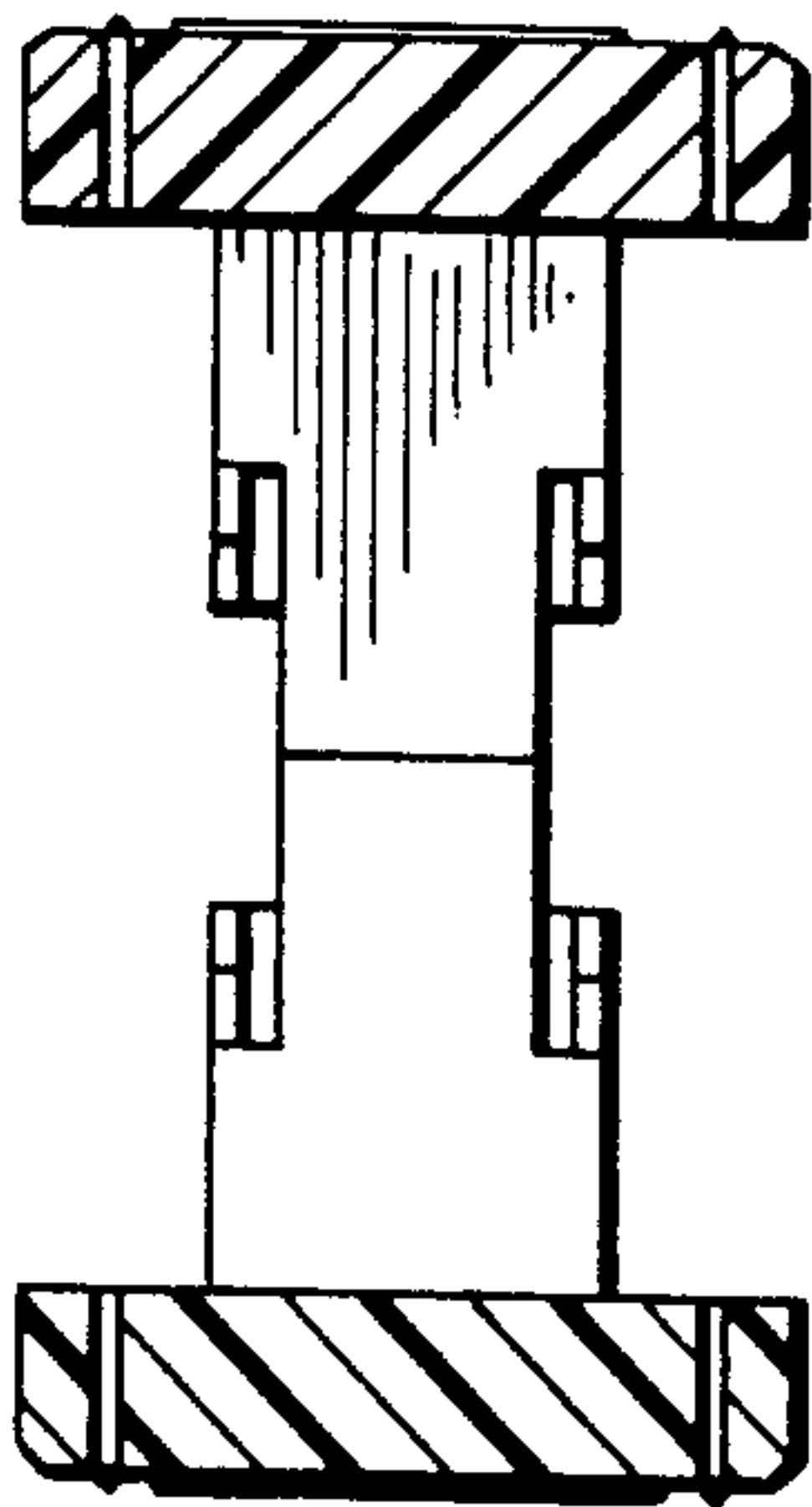


FIG. 3

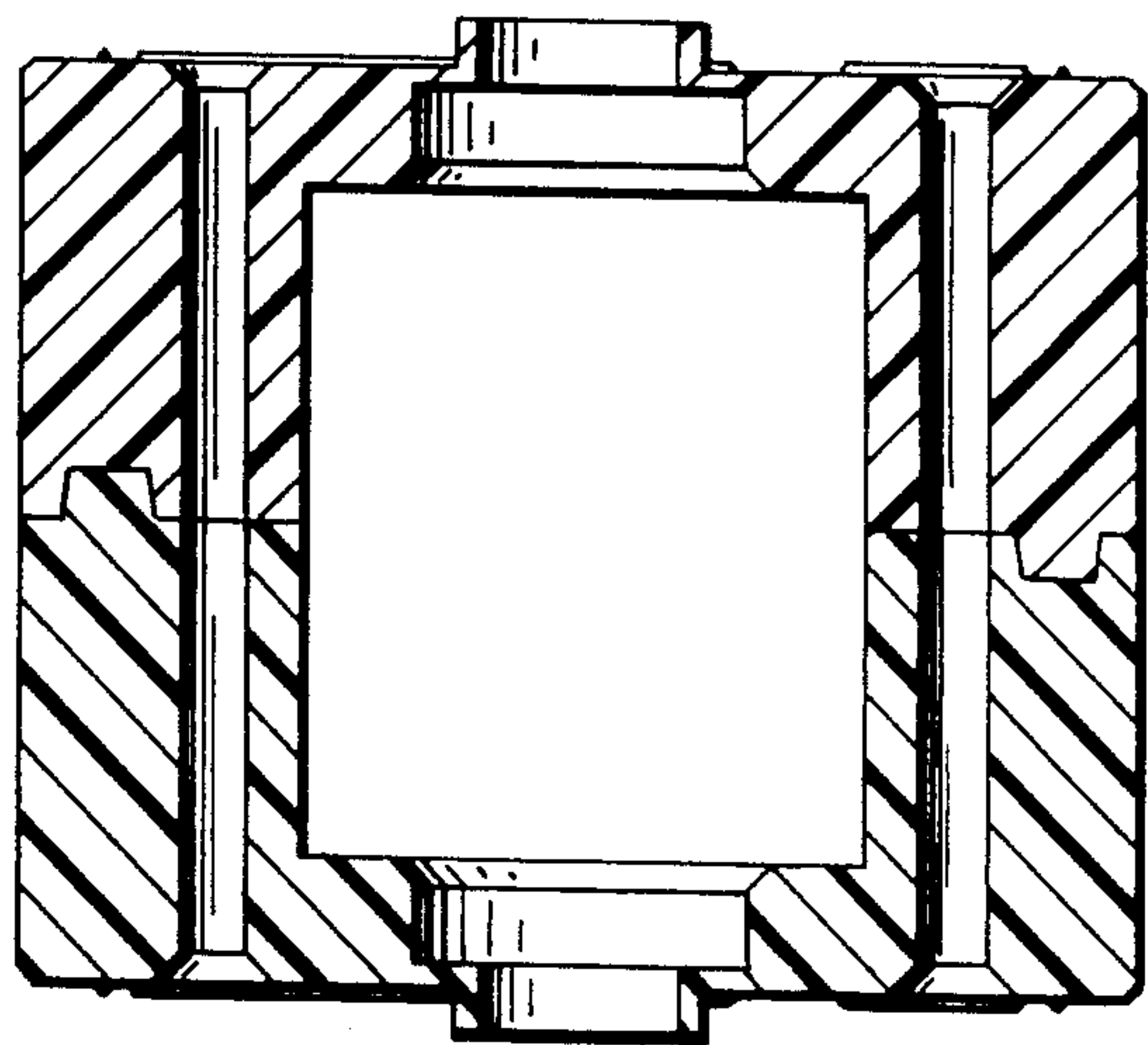


FIG. 5