

[54] INTERLOCKING BUILDING BLOCK

[76] Inventor: **George B. Muse**, Hillcrest Drive,
Calhoun, Ga. 30701

[**] Term: **14 Years**

[21] Appl. No.: **548,384**

[22] Filed: **Feb. 10, 1975**

Related U.S. Application Data

[63] Continuation-in-part of Ser. No. 462,375, April 19,
1974.

[51] Int. Cl. **D25-01**

[52] U.S. Cl. **D25/87**

[58] Field of Search **D18/2 R; 52/585, 586,
52/285, 396, 573, 259, 232, 607, 311, 312,
313, 314, 569, 574, 592, 602, 665, 617**

[56]

References Cited

U.S. PATENT DOCUMENTS

1,565,959	12/1925	Requa	52/569 X
1,585,374	5/1926	Carlsson	52/569
3,780,484	12/1973	Muse	D18/2 R
3,783,566	1/1974	Nielson	52/585

Primary Examiner—A. Hugo Word
Attorney, Agent, or Firm—Harold D. Jones, Jr.

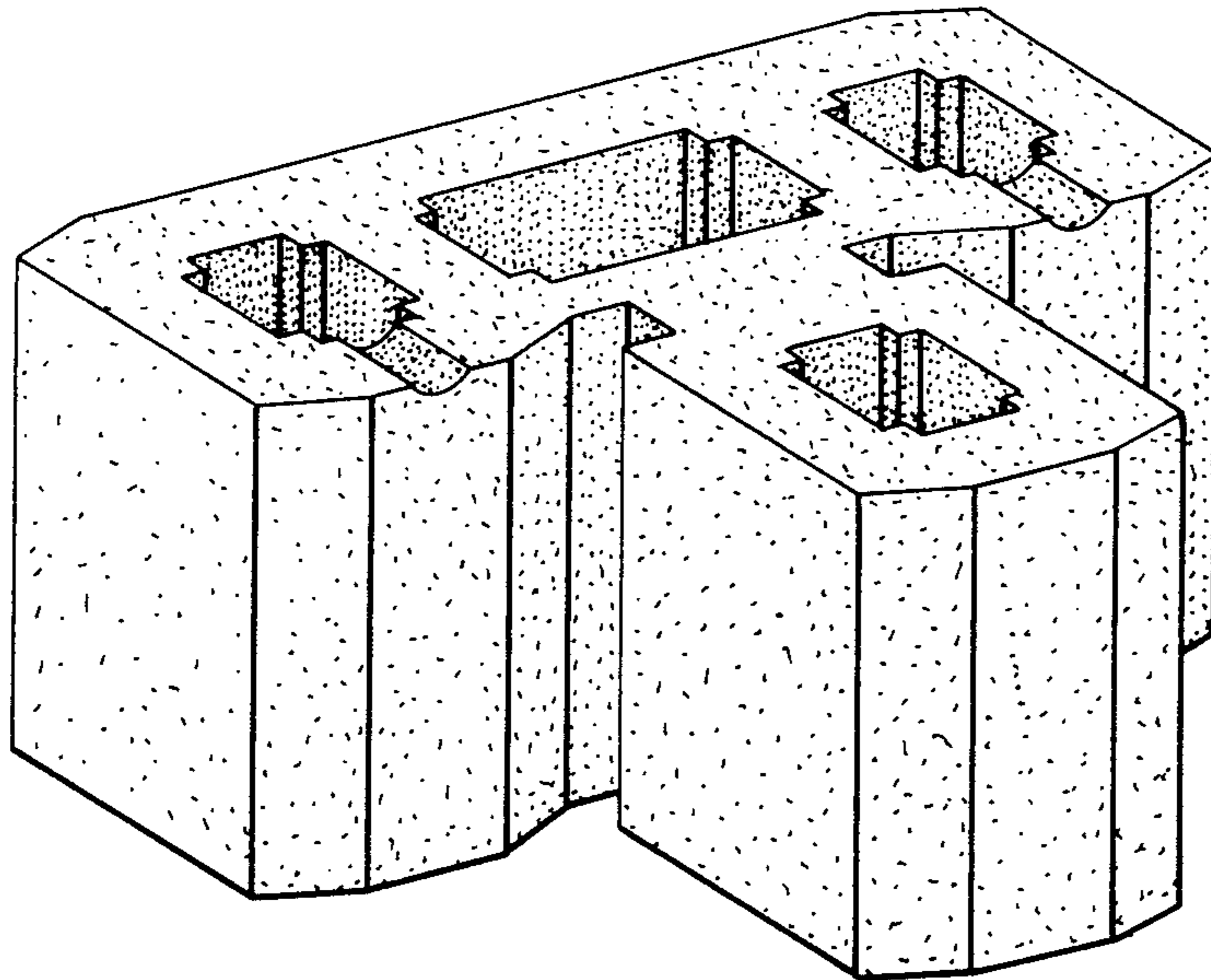
[57]

CLAIM

The ornamental design for an interlocking building block, as shown.

DESCRIPTION

FIG. 1 is a perspective view of an interlocking building block embodying the new design;
FIG. 2 is a rear elevational view thereof;
FIG. 3 is a front elevational view thereof;
FIG. 4 is a top plan view thereof;
FIG. 5 is a bottom plan view thereof;
FIG. 6 is a left end elevational view thereof; and,
FIG. 7 is a right end elevational view thereof.



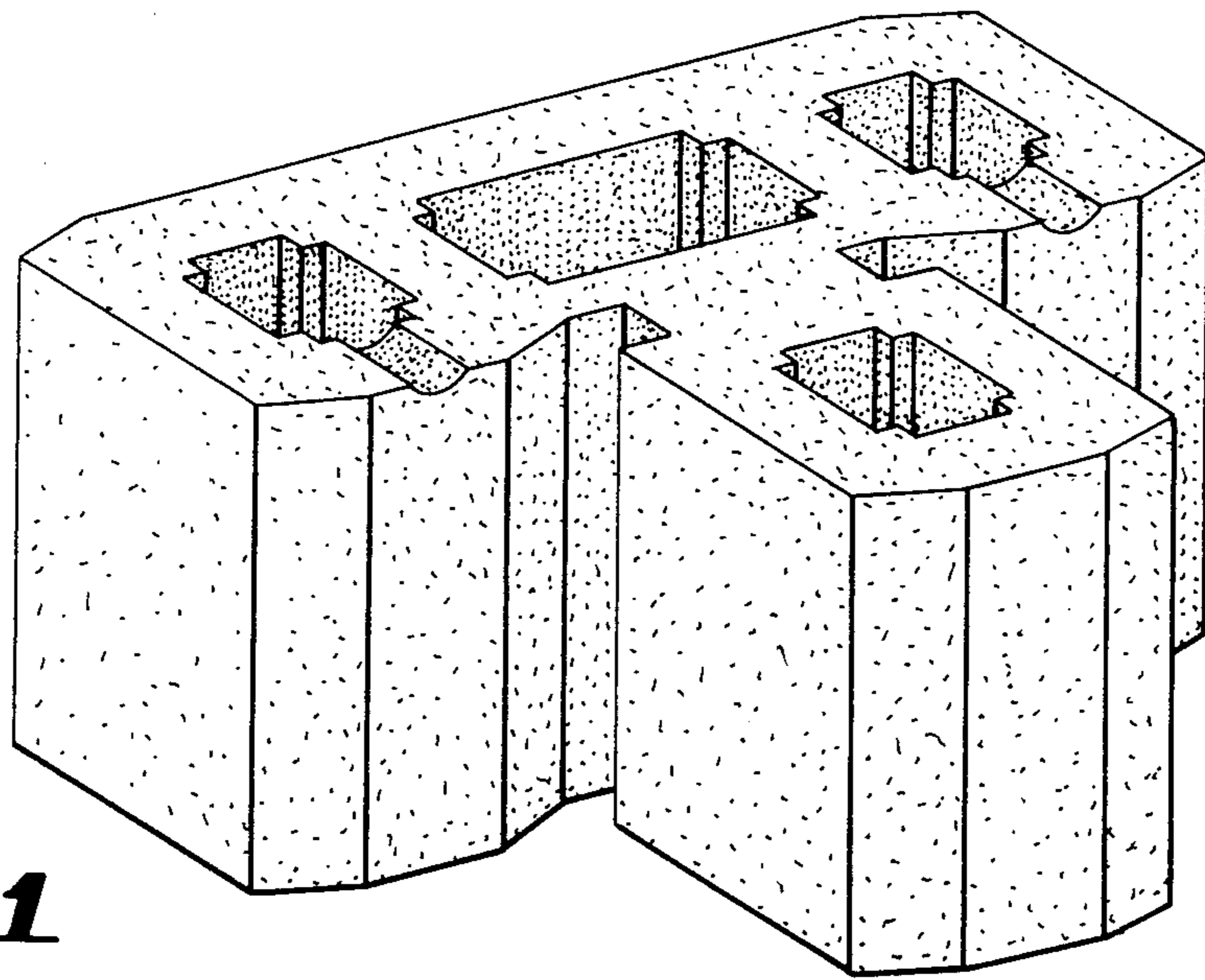


FIG 1

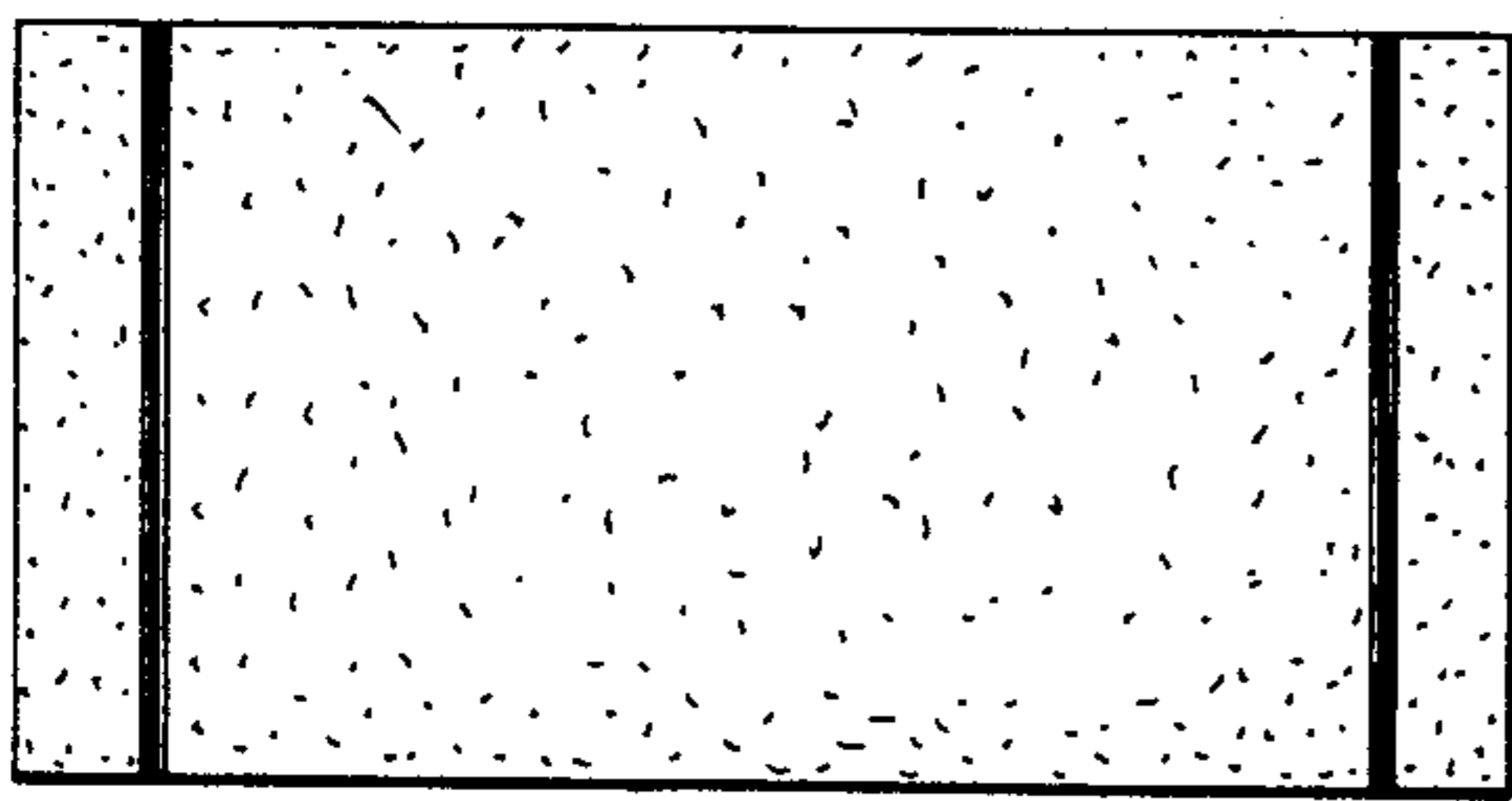


FIG 2

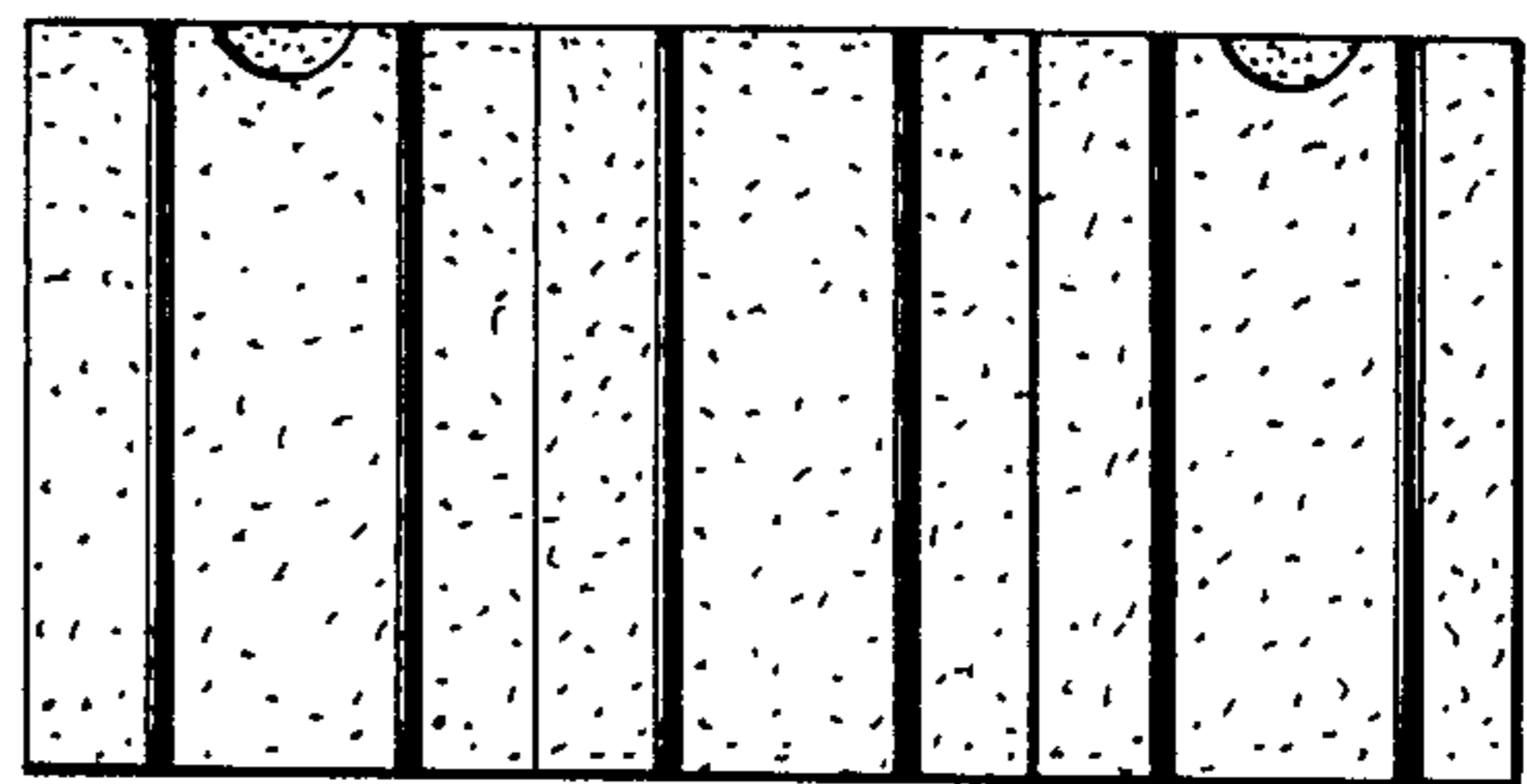


FIG 3

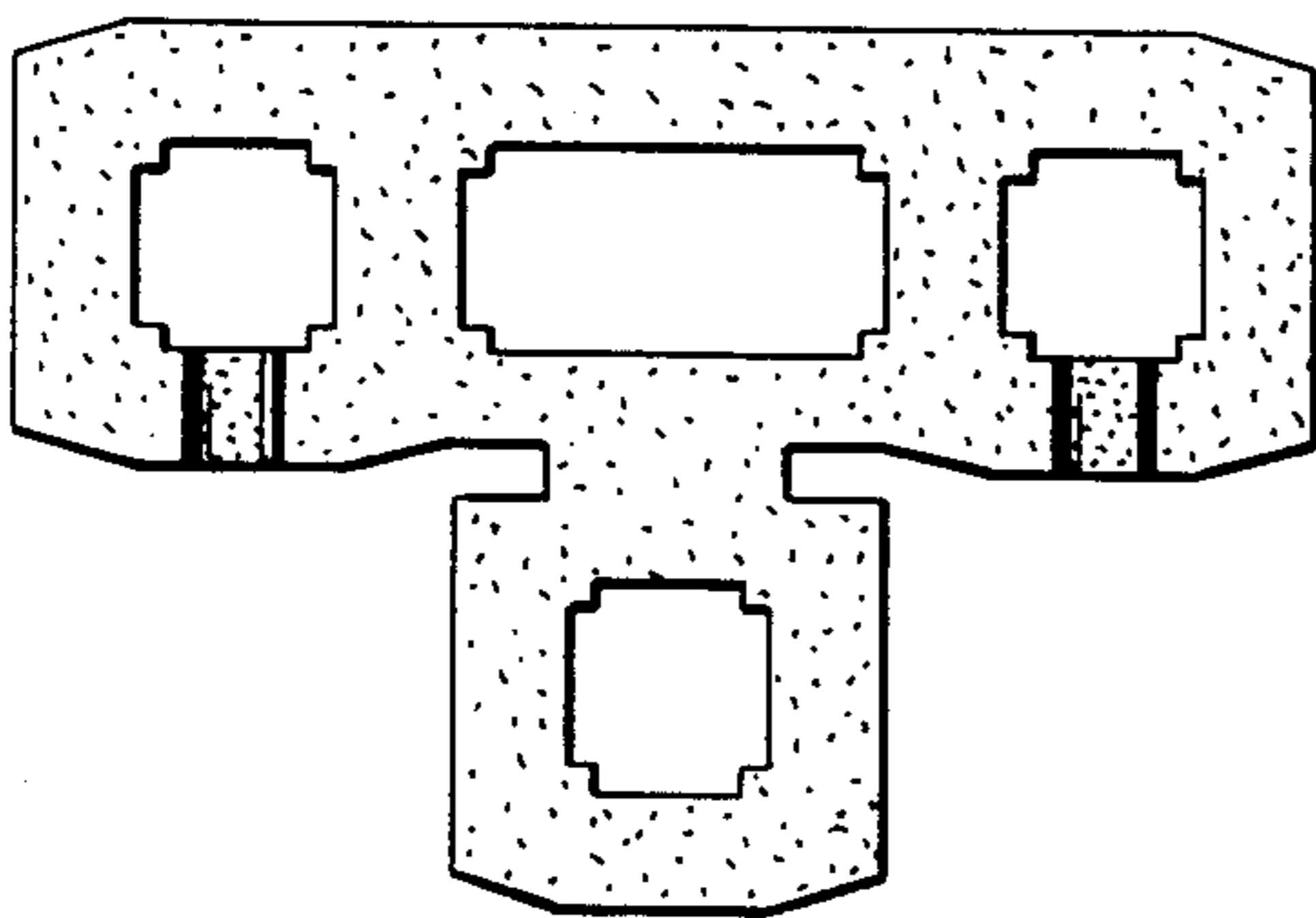


FIG 4

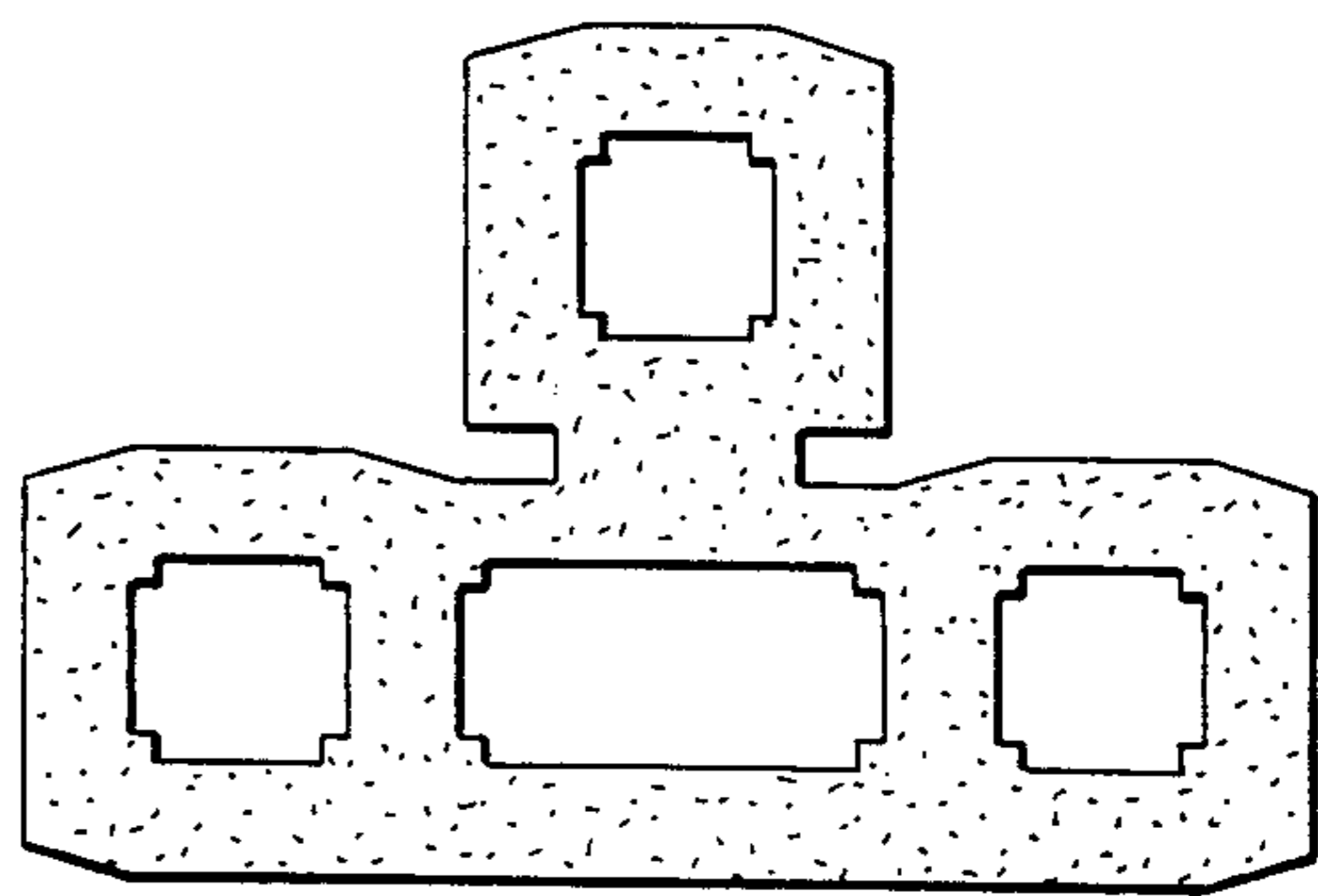


FIG 5

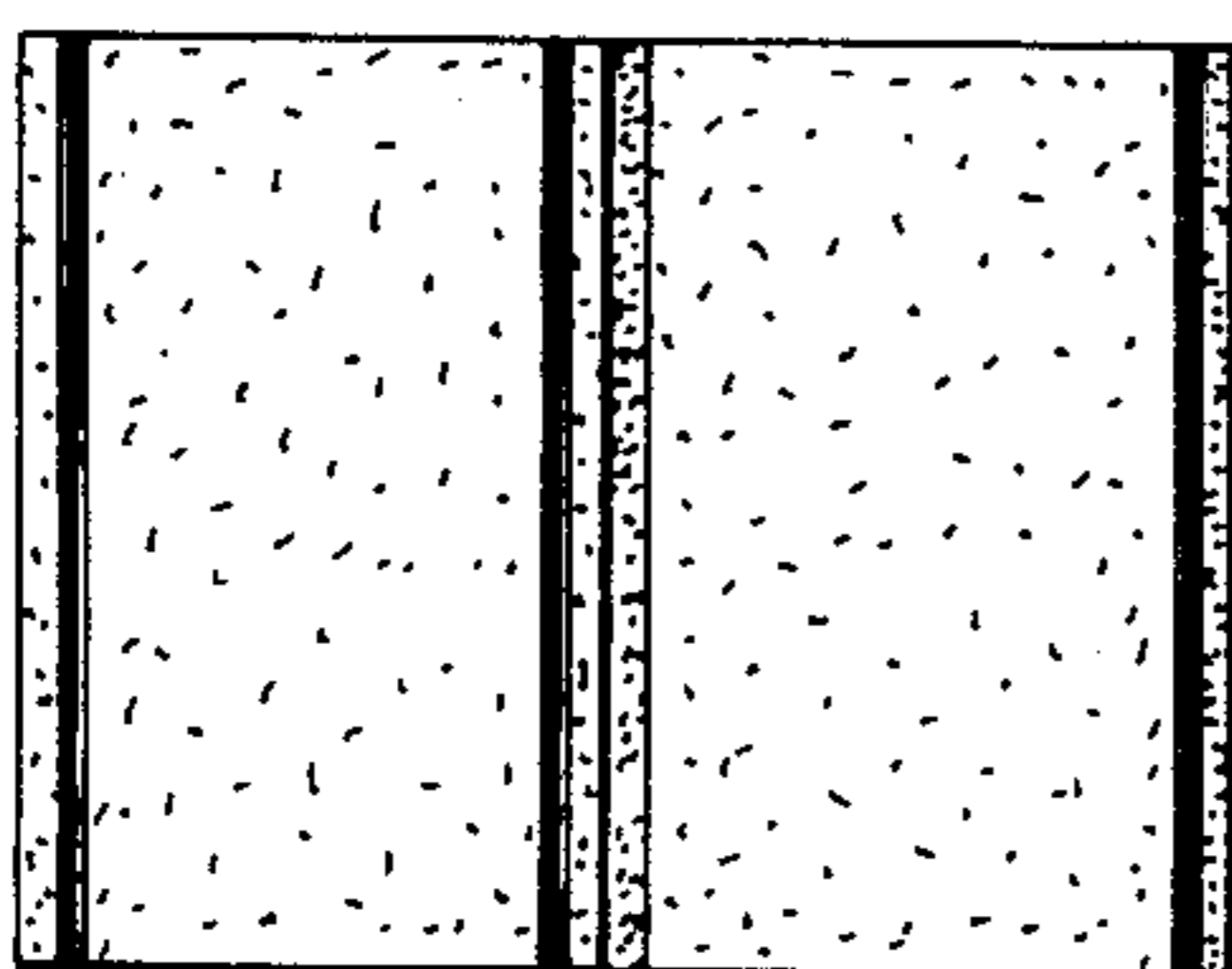


FIG 6

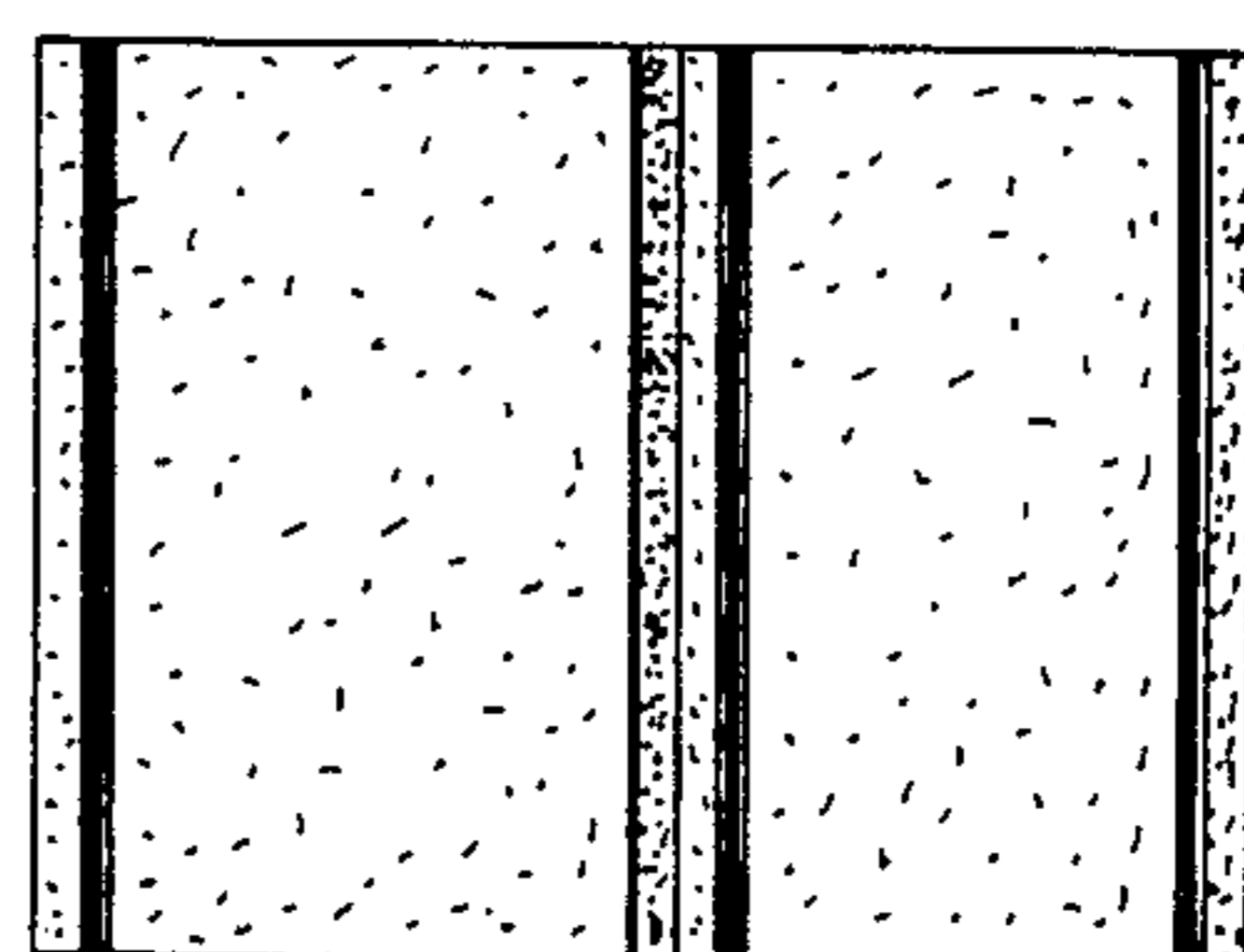


FIG 7