

[54] AGRICULTURAL IMPLEMENT HITCH

[76] Inventor: Clarence Ray Murray, Box 1227, Erick, Okla. 73645

[**] Term: 14 Years

[21] Appl. No.: 662,048

[22] Filed: Feb. 27, 1976

[51] Int. Cl. D15-03

[52] U.S. Cl. D15/28

[58] Field of Search D12/162; D15/27, 28; 172/439; 280/423 B, 425 A, 405 A, 405 B, 411 B, 446 A, 456 A, 460 A, 461 A, 490 A, 491 B

[56] References Cited

U.S. PATENT DOCUMENTS

2,341,807 2/1944 Olmstead et al. 280/456 A

2,531,768 11/1950 Cline et al. 280/490 A
3,029,092 4/1962 Stuart D12/162 UX
D. 201,756 7/1965 Abbott D40/1 E

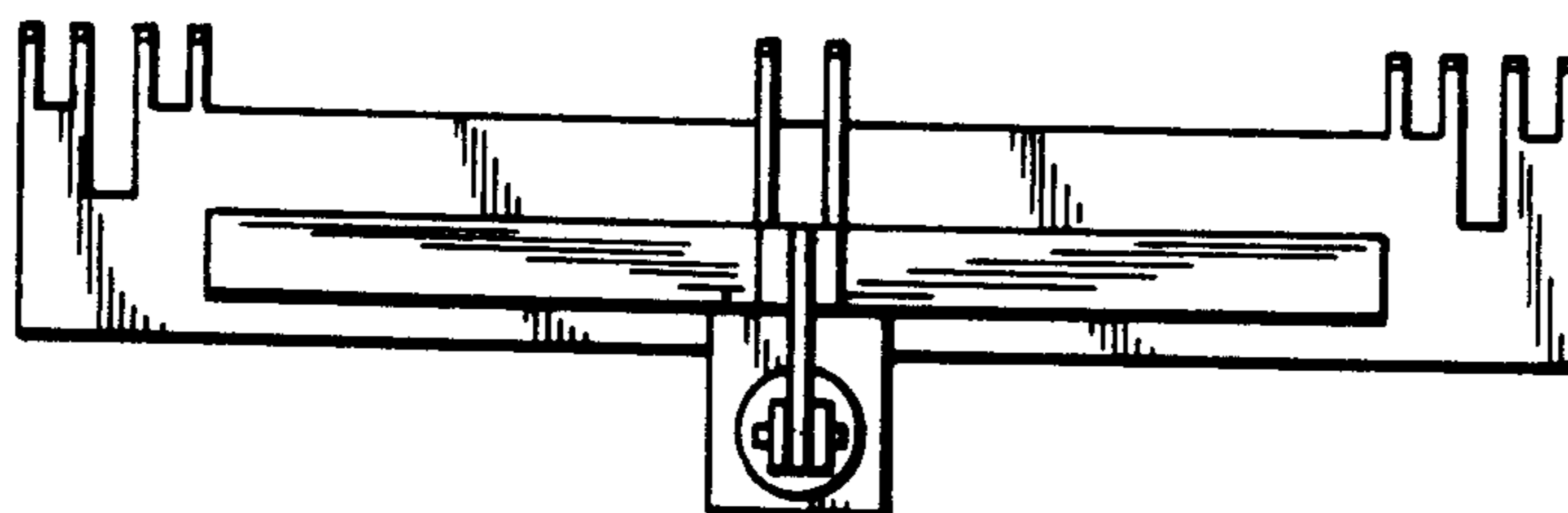
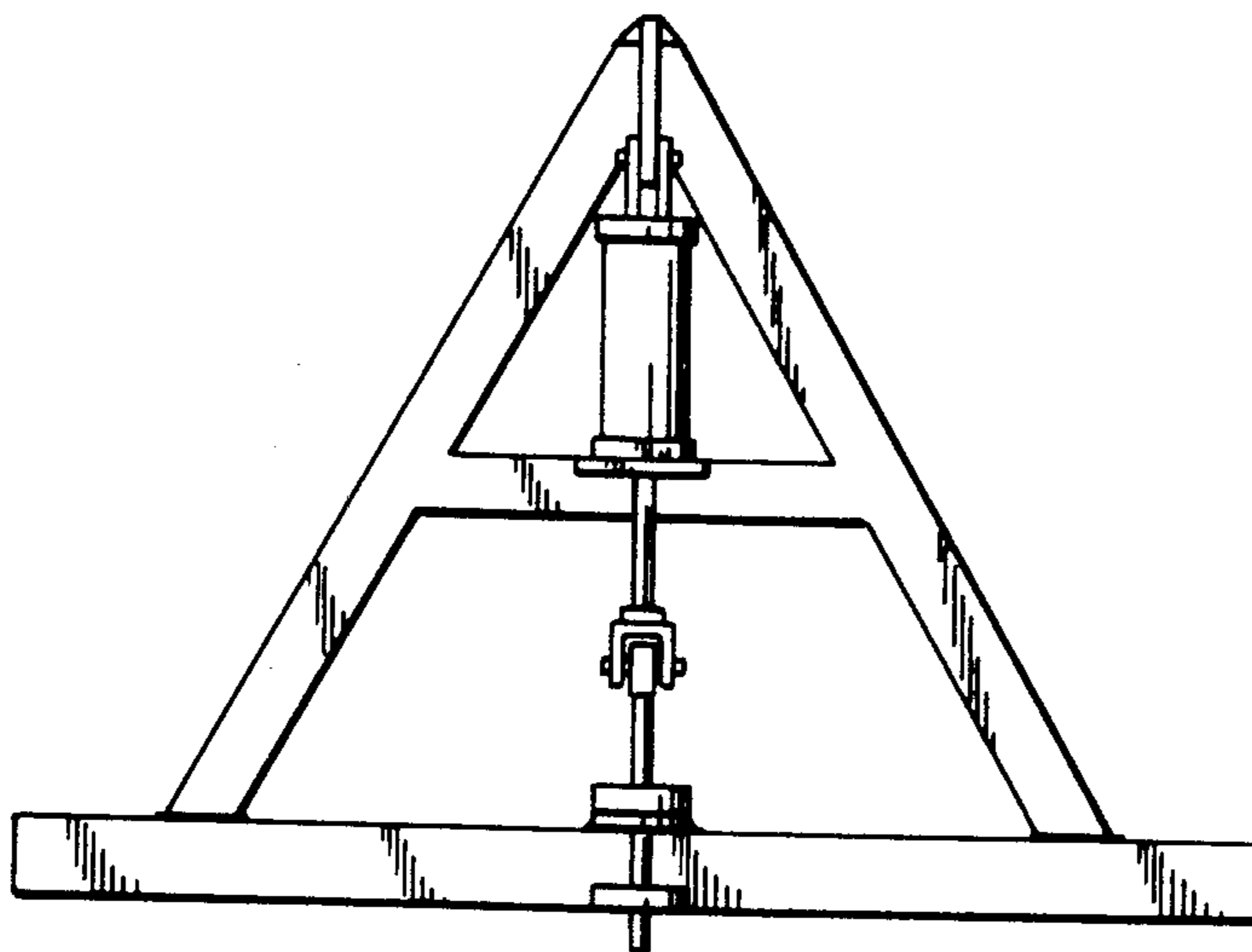
Primary Examiner—Wallace R. Burke
Assistant Examiner—James M. Gandy
Attorney, Agent, or Firm—William R. Laney

[57] CLAIM

The ornamental design for an agricultural implement hitch, substantially as shown.

DESCRIPTION

FIG. 1 is a rear elevation view of an agricultural implement hitch incorporating my new design.
FIG. 2 is a front elevation view thereof.
FIG. 3 is a top plan view thereof.
FIG. 4 is a bottom plan view thereof.
FIG. 5 is a side elevation view thereof.
FIG. 6 is a side elevation view thereof opposite to that shown in FIG. 5.



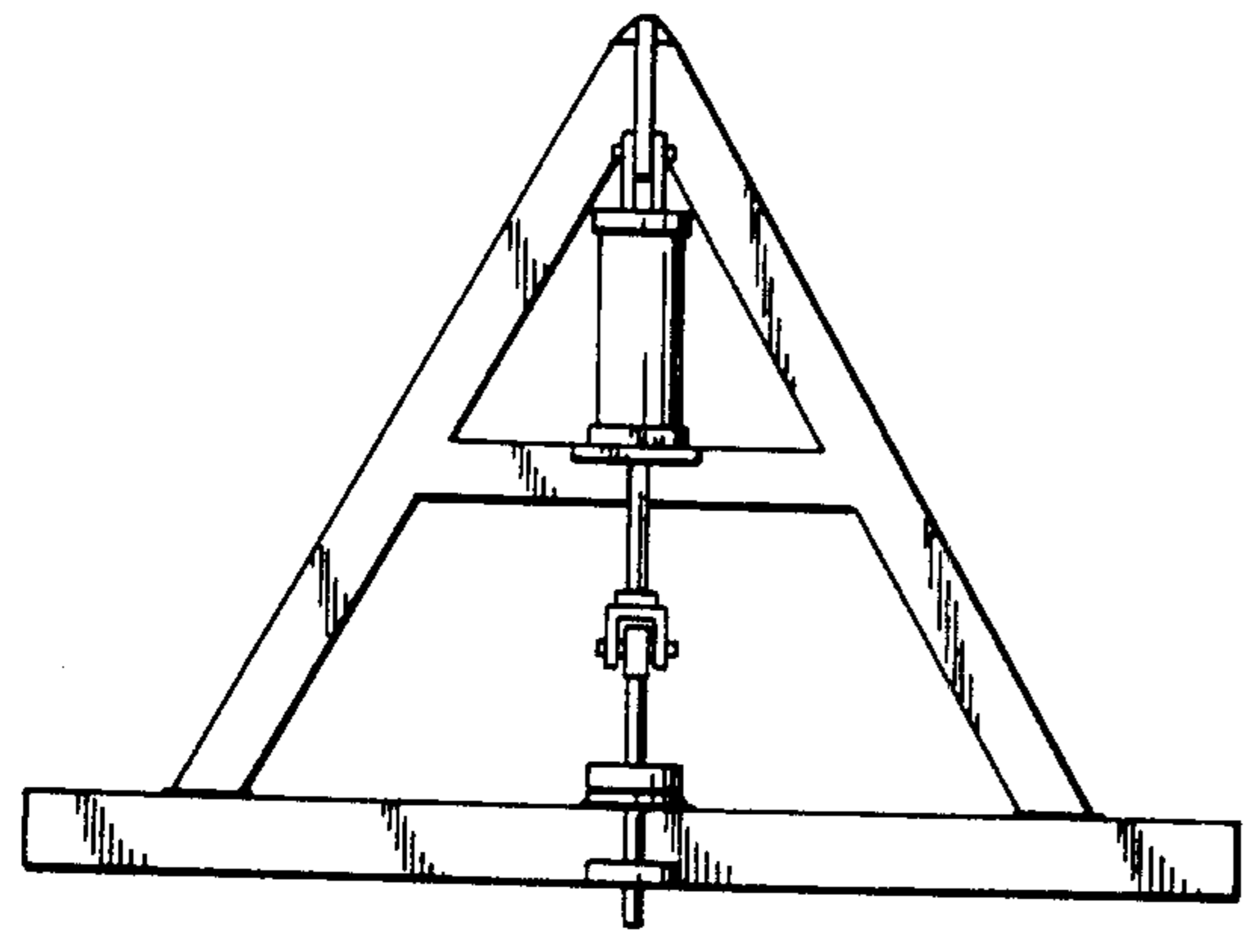


FIG. 1

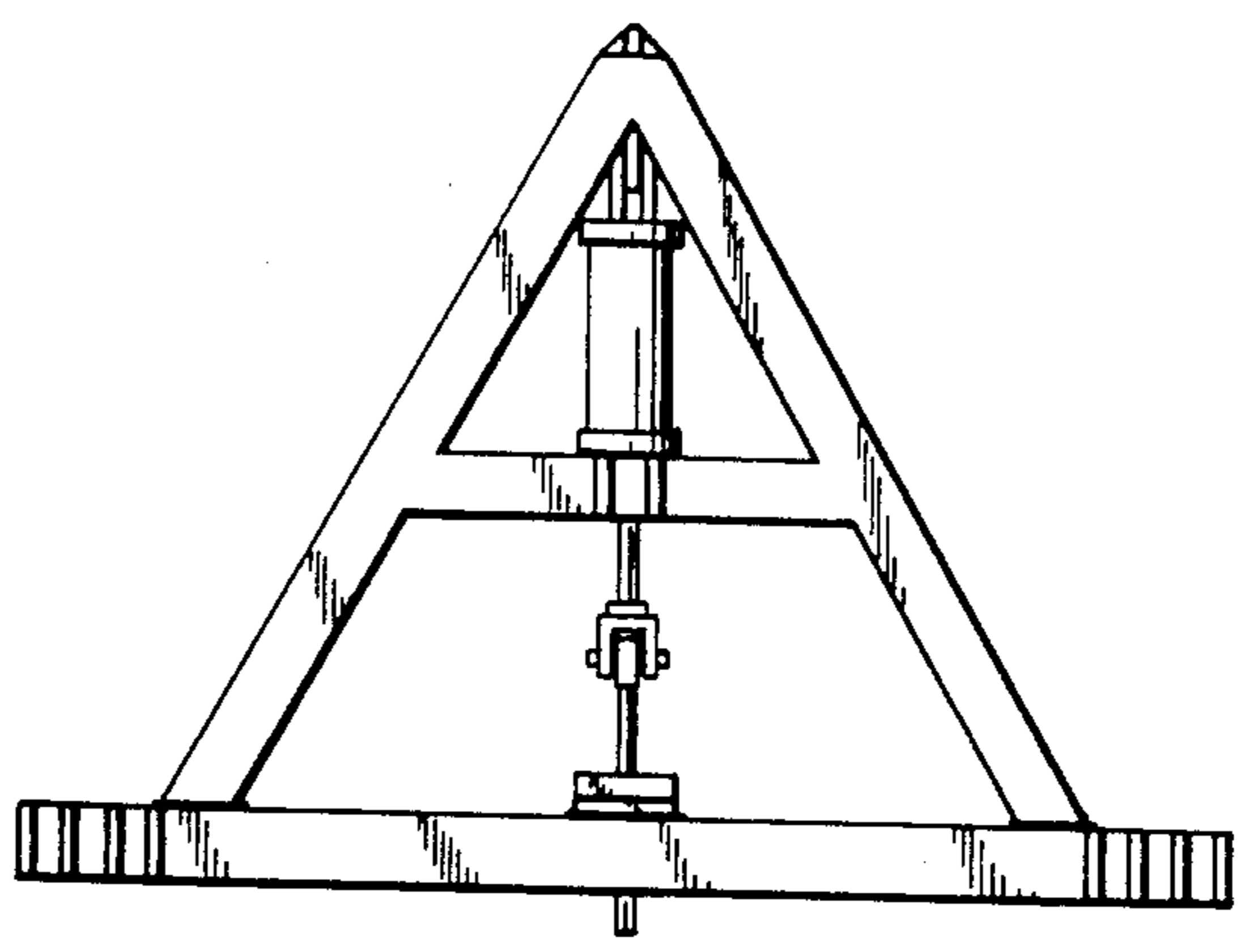


FIG. 2

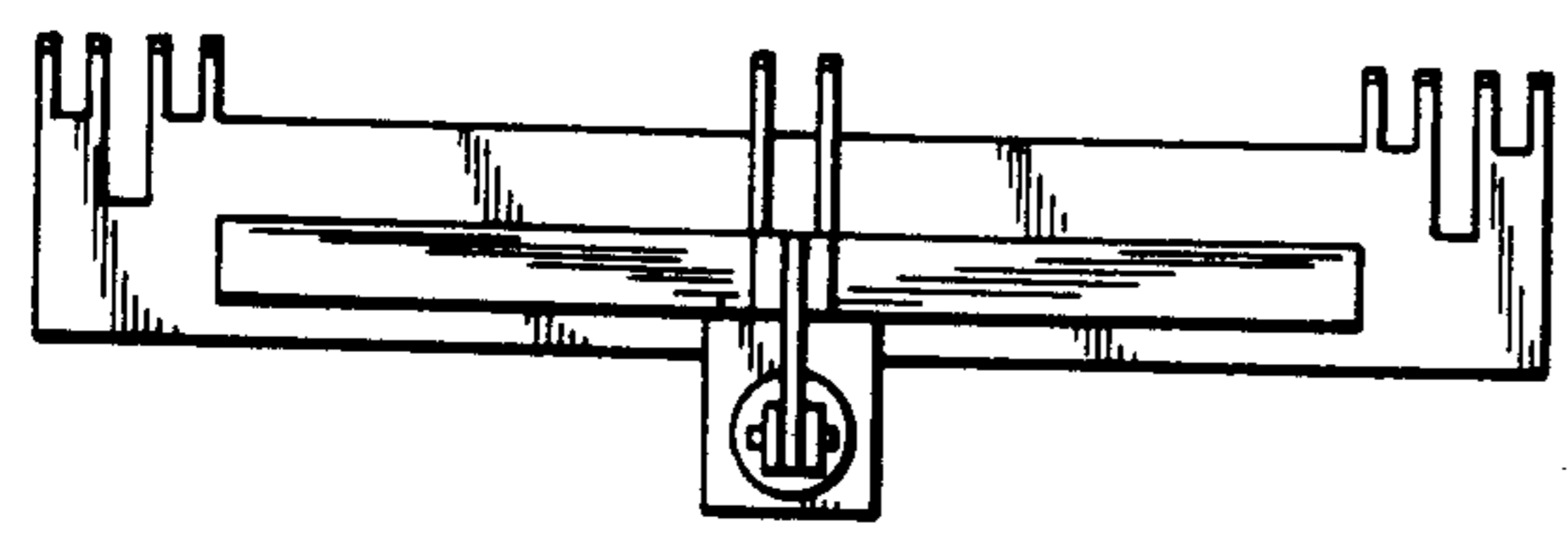


FIG. 3

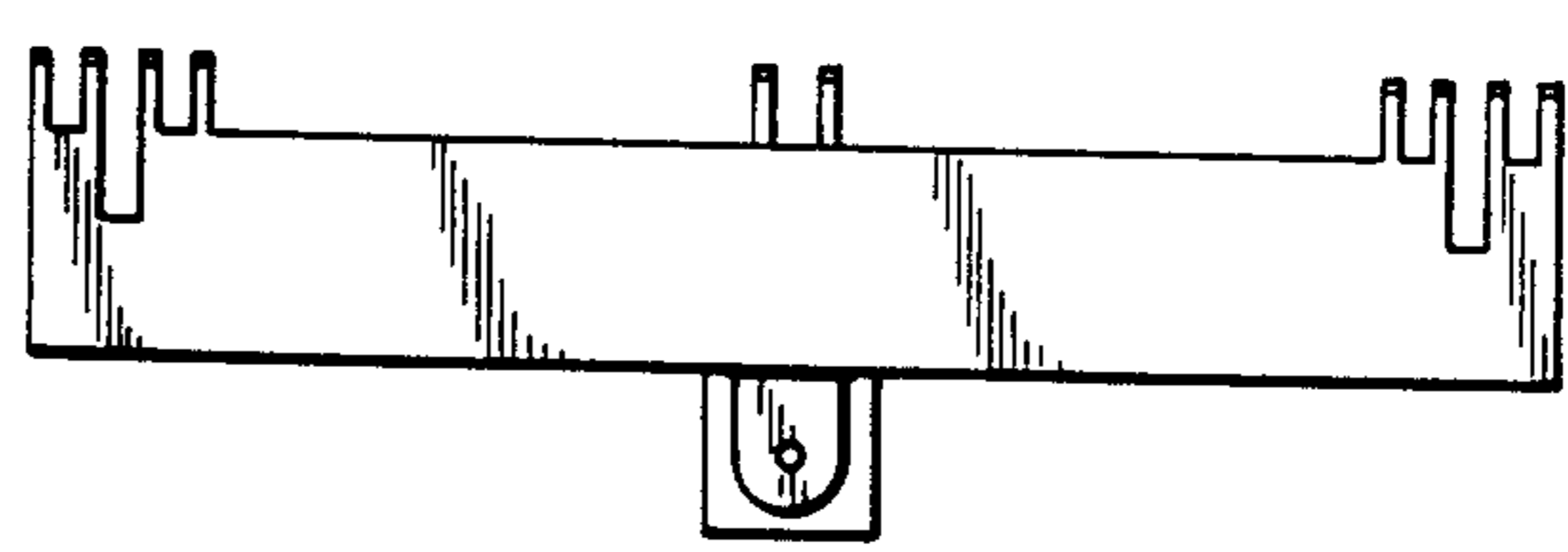


FIG. 4

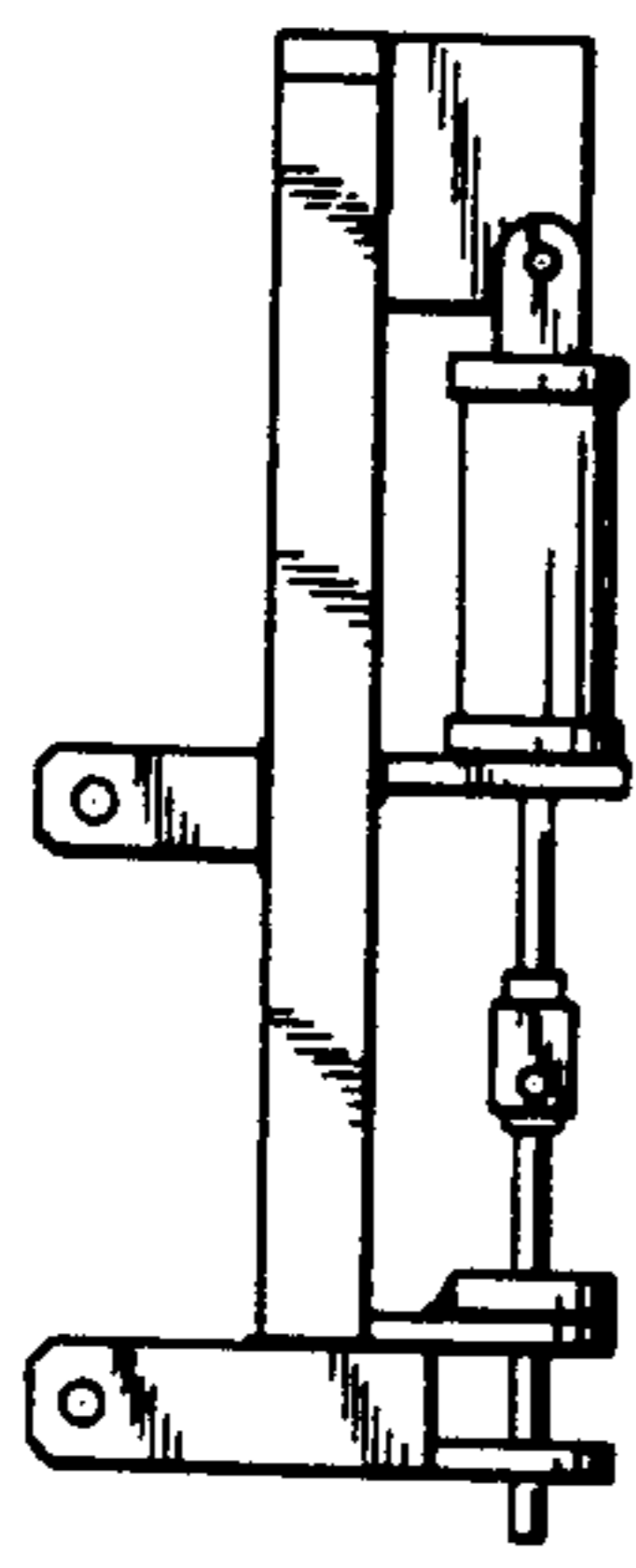


FIG. 5

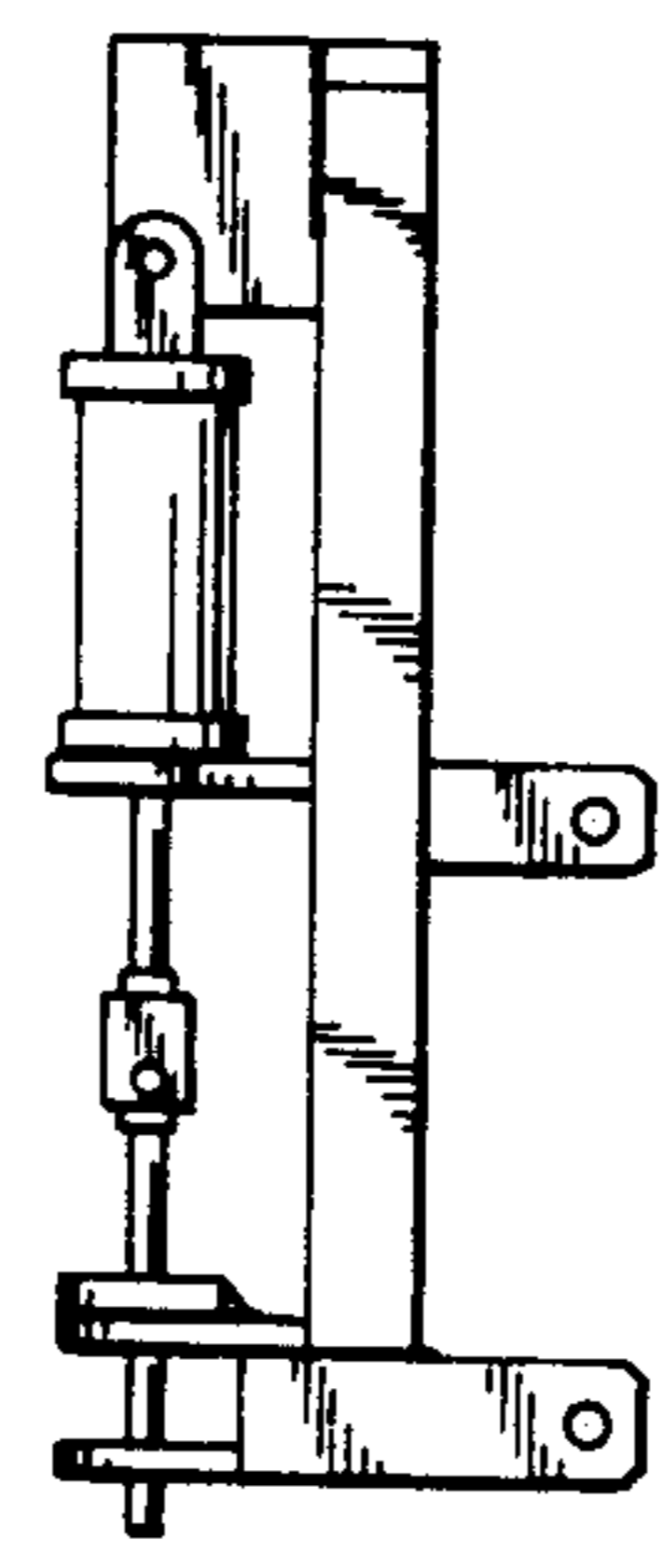


FIG. 6