

[54] VEHICLE WHEEL

[75] Inventor: Eugene A. Mueller, Akron, Ohio

[73] Assignees: David L. Brennan; Richard M. Hamlin, both of Akron, Ohio

[**] Term: 14 Years

[21] Appl. No.: 677,488

[22] Filed: Apr. 15, 1976

[51] Int. Cl. D12-16

[52] U.S. Cl. D12/212

[58] Field of Search D12/204, 206, 212, 211; 301/63 R, 63 DD, 63 PW, 64 R, 64 SH, 64 SD, 65, 66

[56]

References Cited

U.S. PATENT DOCUMENTS

3,909,065	9/1975	Main	301/63 DD
D. 172,237	5/1954	Mason	D12/211
D. 238,064	12/1975	Brainard et al.	D12/211

Primary Examiner—Wallace R. Burke
Assistant Examiner—James M. Gandy
Attorney, Agent, or Firm—Mack D. Cook, II

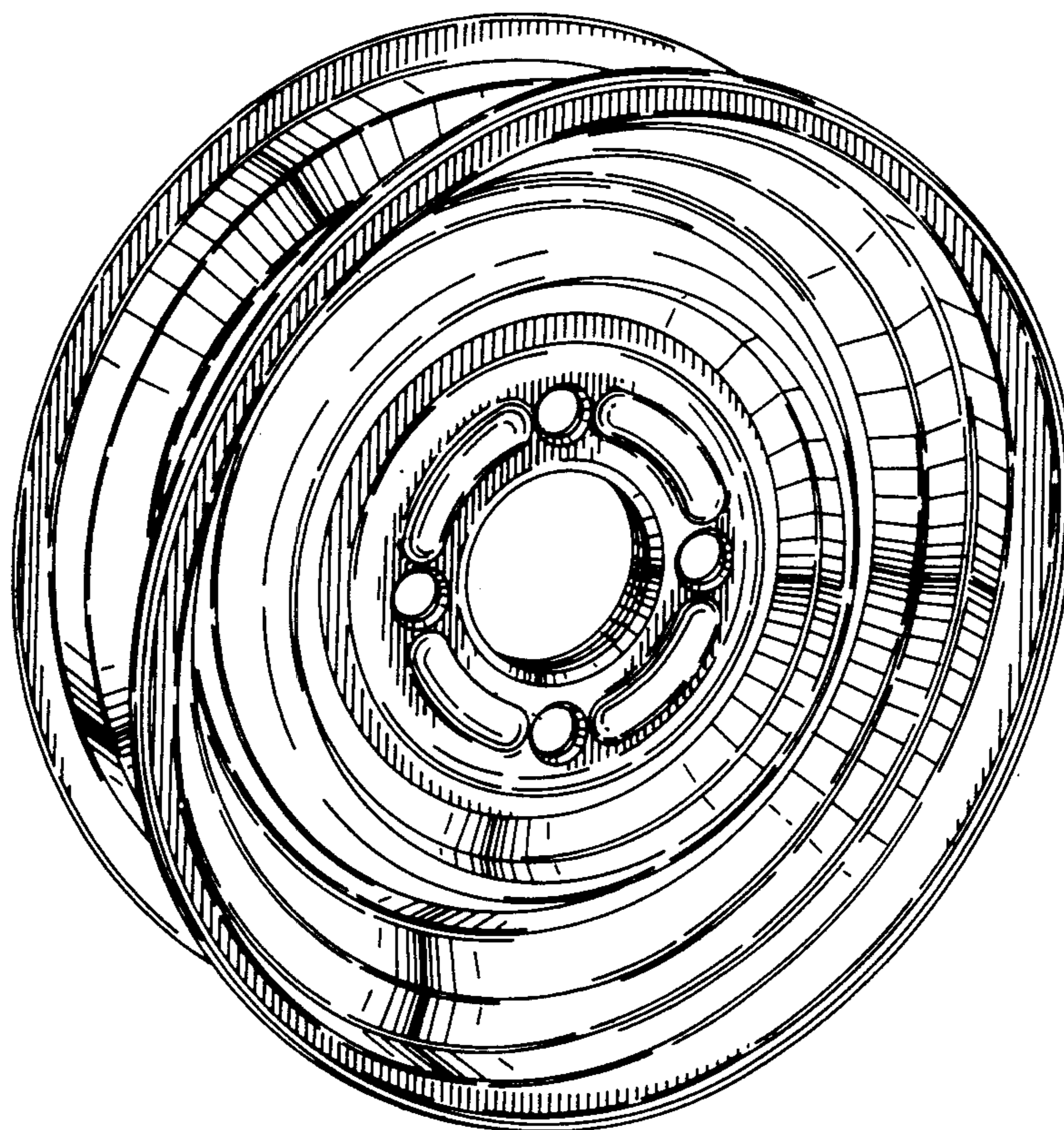
[57]

CLAIM

The ornamental design for a vehicle wheel, substantially as shown.

DESCRIPTION

FIG. 1 is a perspective view of a vehicle wheel showing my new design;
FIG. 2 is a front elevational view thereof;
FIG. 3 is a rear elevational view thereof;
FIG. 4 is an enlarged cross sectional view thereof taken along the line 4—4 in FIG. 2; and
FIG. 5 is a greatly enlarged fragmentary sectional view thereof taken along the line 5—5 in FIG. 2.



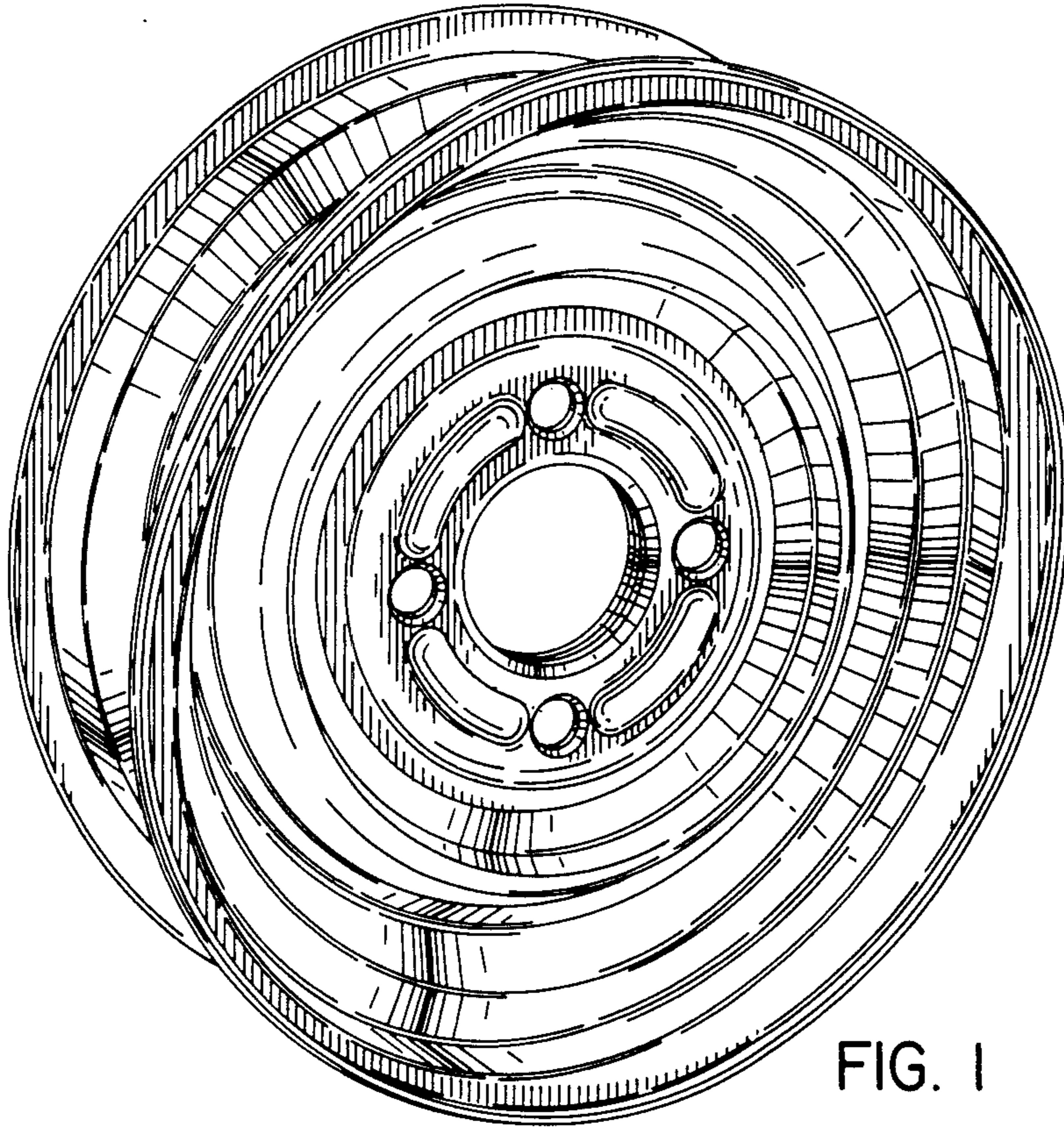


FIG. 1

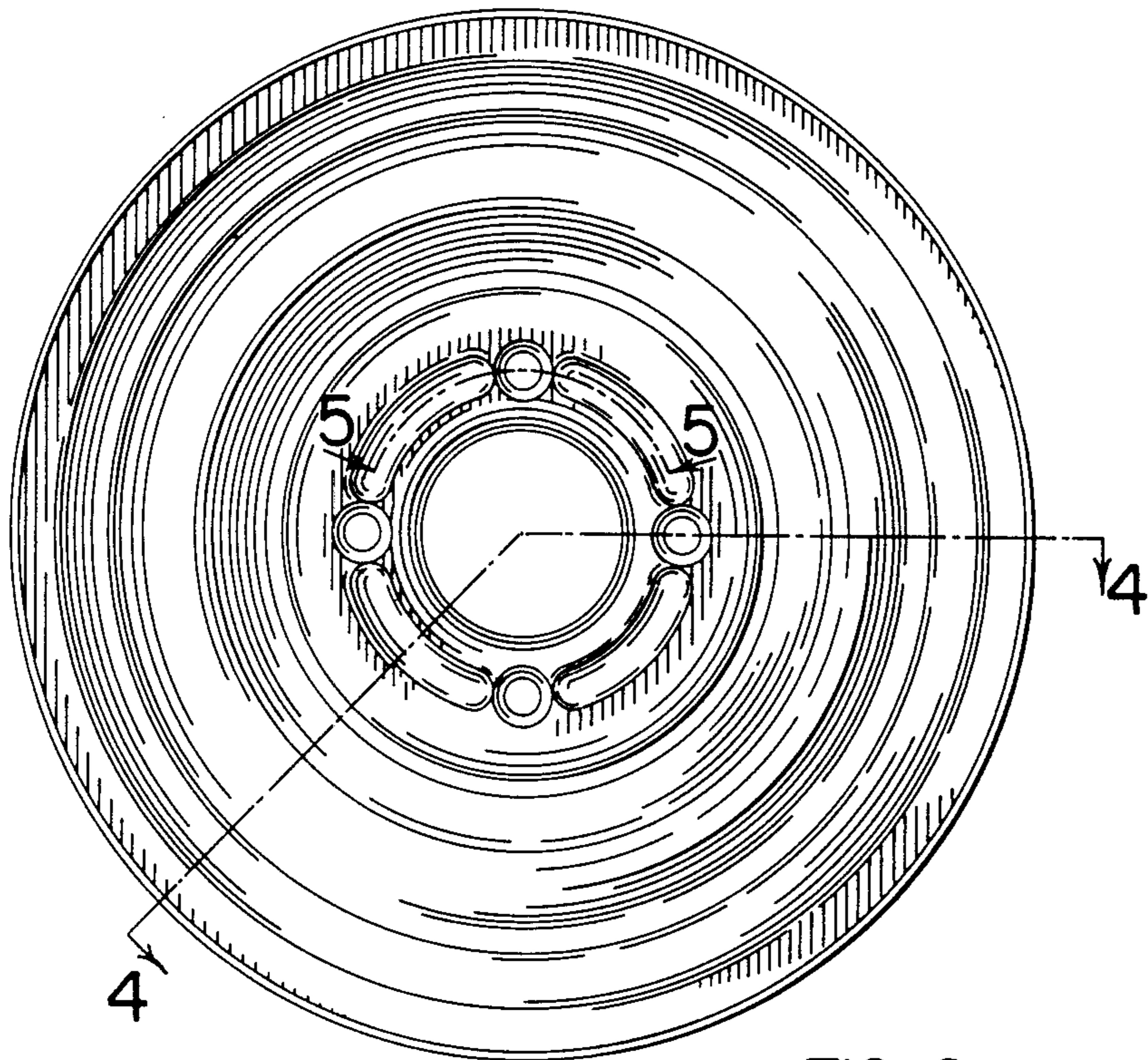


FIG. 2

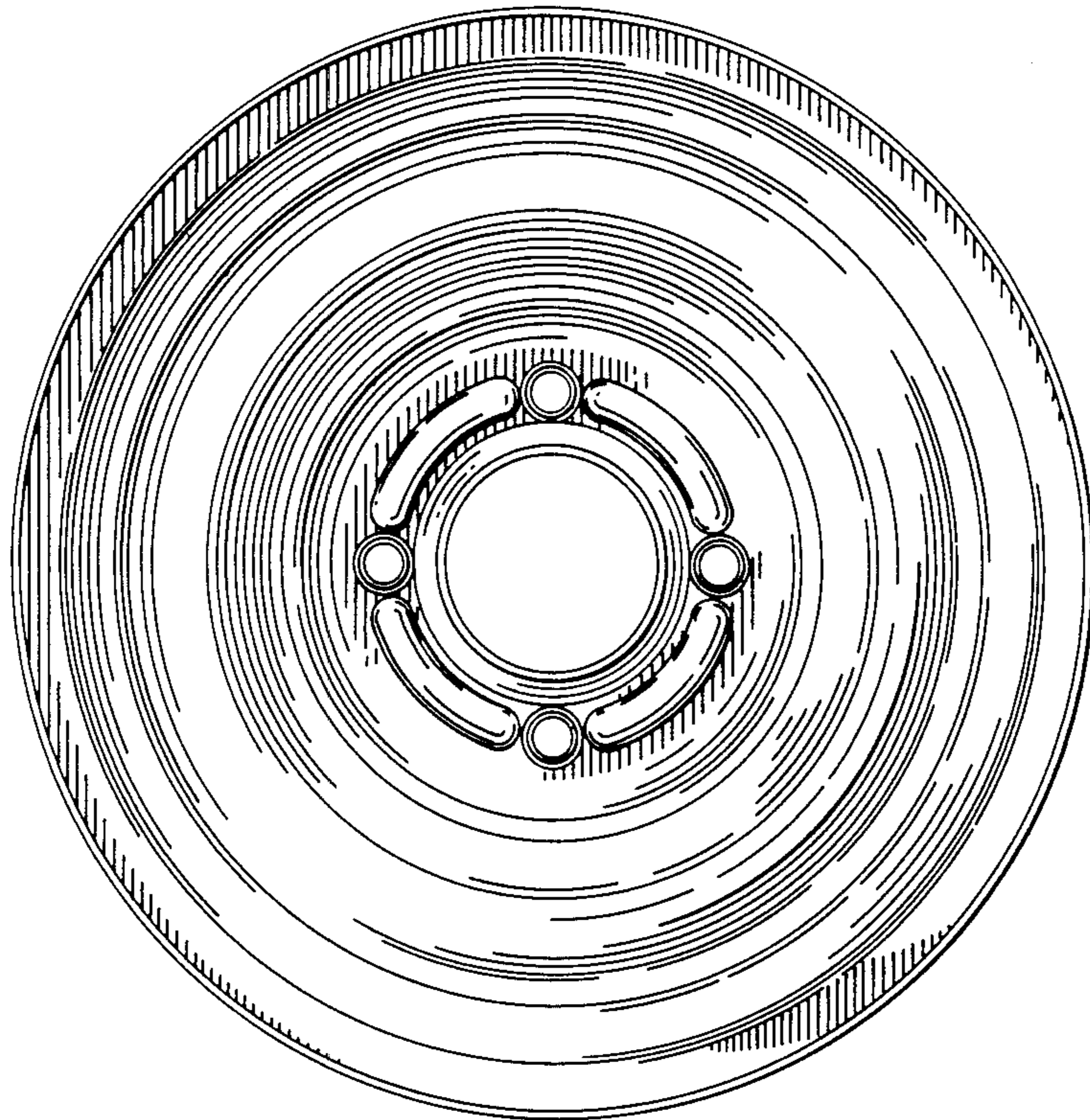


FIG. 3

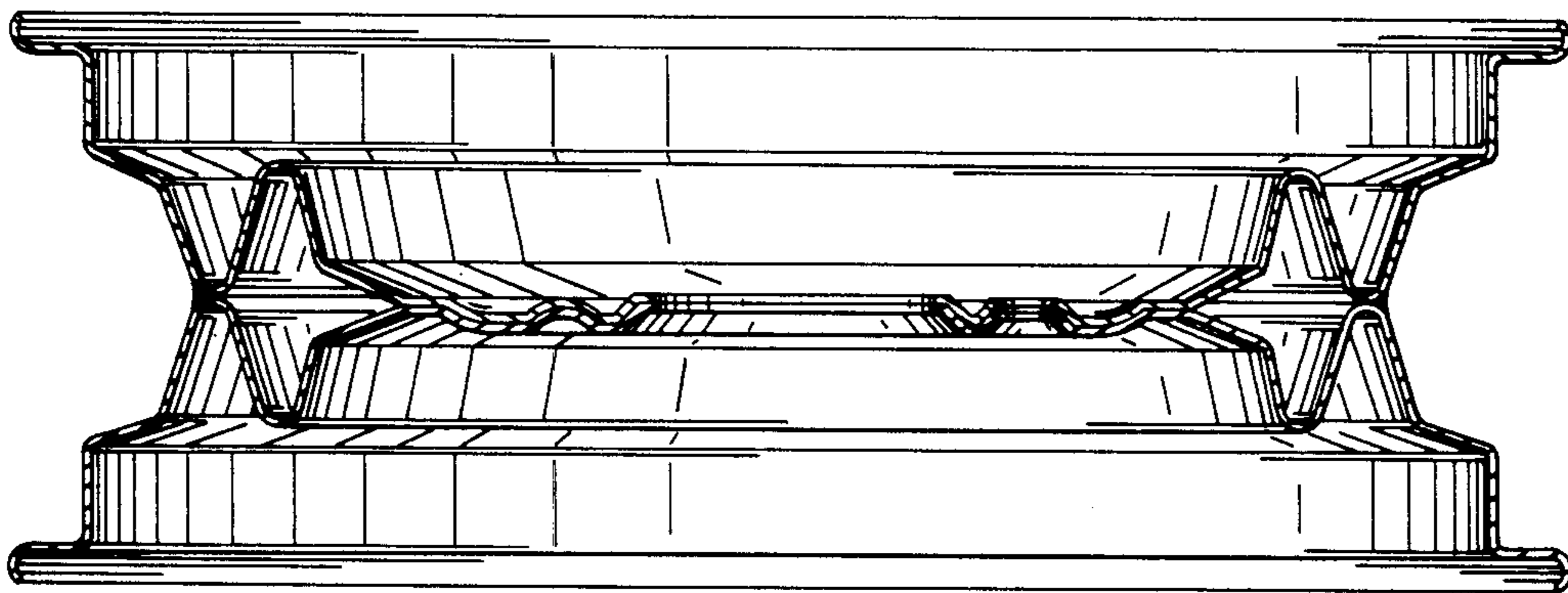


FIG. 4

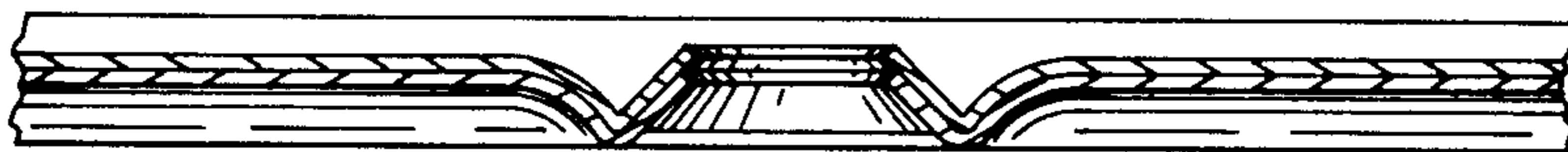


FIG. 5