

[54] PORTABLE LOCK

[76] Inventor: Lawrence E. Sankey, 2905
Harmony, Amarillo, Tex. 79106

[**] Term: 14 Years

[21] Appl. No.: 686,556

[22] Filed: May 14, 1976

[51] Int. Cl. D8-07

[52] U.S. Cl. D8/331

[58] Field of Search 292/292-296,
292/306; D8/109

[56] References Cited

U.S. PATENT DOCUMENTS

793,098	6/1905	Rohrer	292/292
976,444	11/1910	Dufault	292/296
1,234,158	7/1917	Hall	D8/108 X
1,627,709	5/1927	Mechen	292/289
3,416,333	12/1968	Weingart	70/14
D. 226,472	3/1973	Barnes	D8/109

Primary Examiner—William N. Wertman
Attorney, Agent, or Firm—Ely Silverman

[57] CLAIM

The ornamental design for a portable lock, as shown.

DESCRIPTION

FIG. 1 is a rear oblique and perspective view of the design of portable lock according to my new design as seen from one side of the rear or handle end thereof.

FIG. 2 is front oblique and perspective view of the design of portable lock shown in FIG. 1 as seen from the front or tool end and the same side thereof as shown in FIG. 1.

FIG. 3 is a front oblique and perspective view of the design of portable lock as seen from its front or tool end as seen from the side thereof opposite to that shown in FIGS. 1 and 2.

FIG. 4 is a side view of the portable lock design and shows the side shown in FIGS. 1 and 2.

FIG. 5 is a bottom view of the portable lock design shown in FIGS. 1-4, 6 and 7.

FIG. 6 is a top view of the portable lock design shown in FIGS. 1-5 and 7.

FIG. 7 is a side view of the portable lock design shown in FIGS. 1-6 and shows the side shown in FIG. 3.

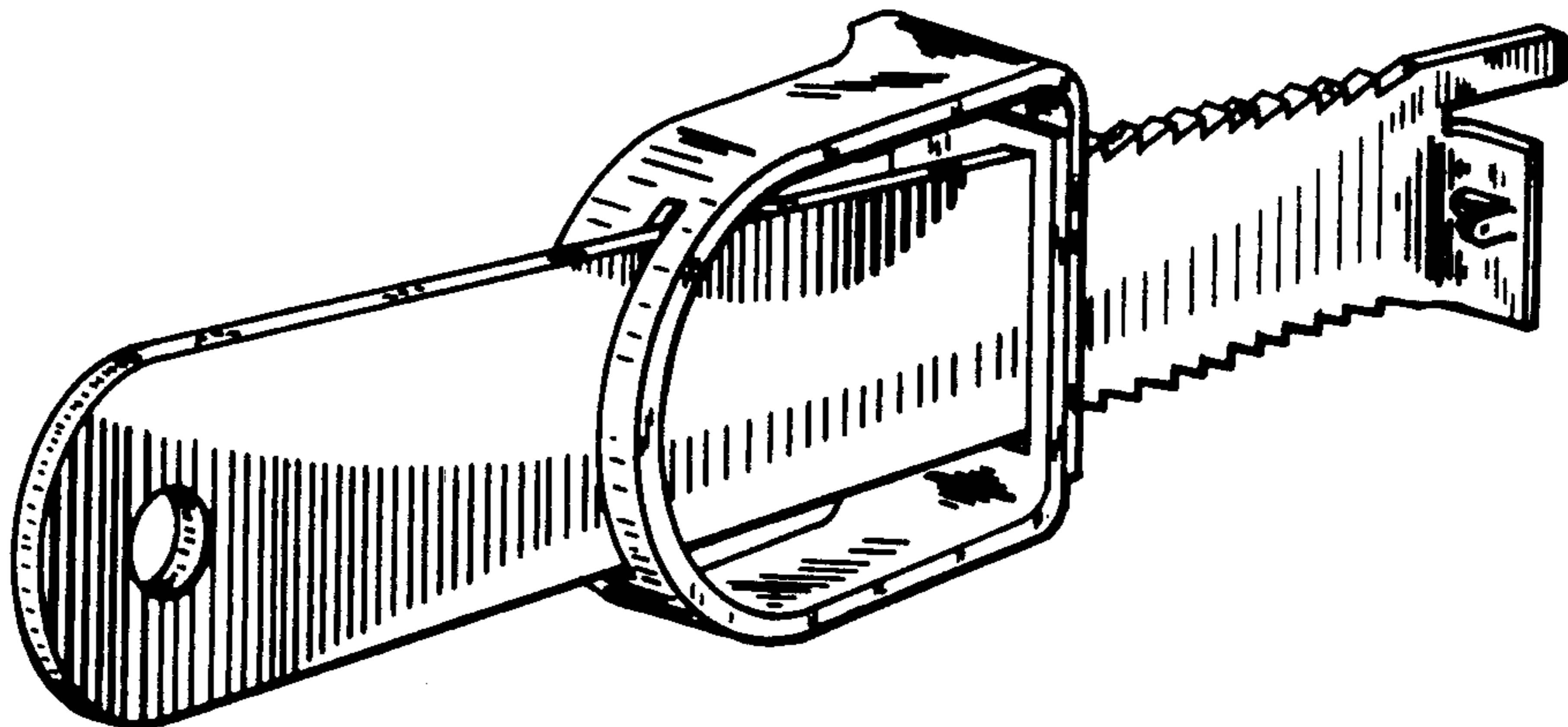


FIG. 1

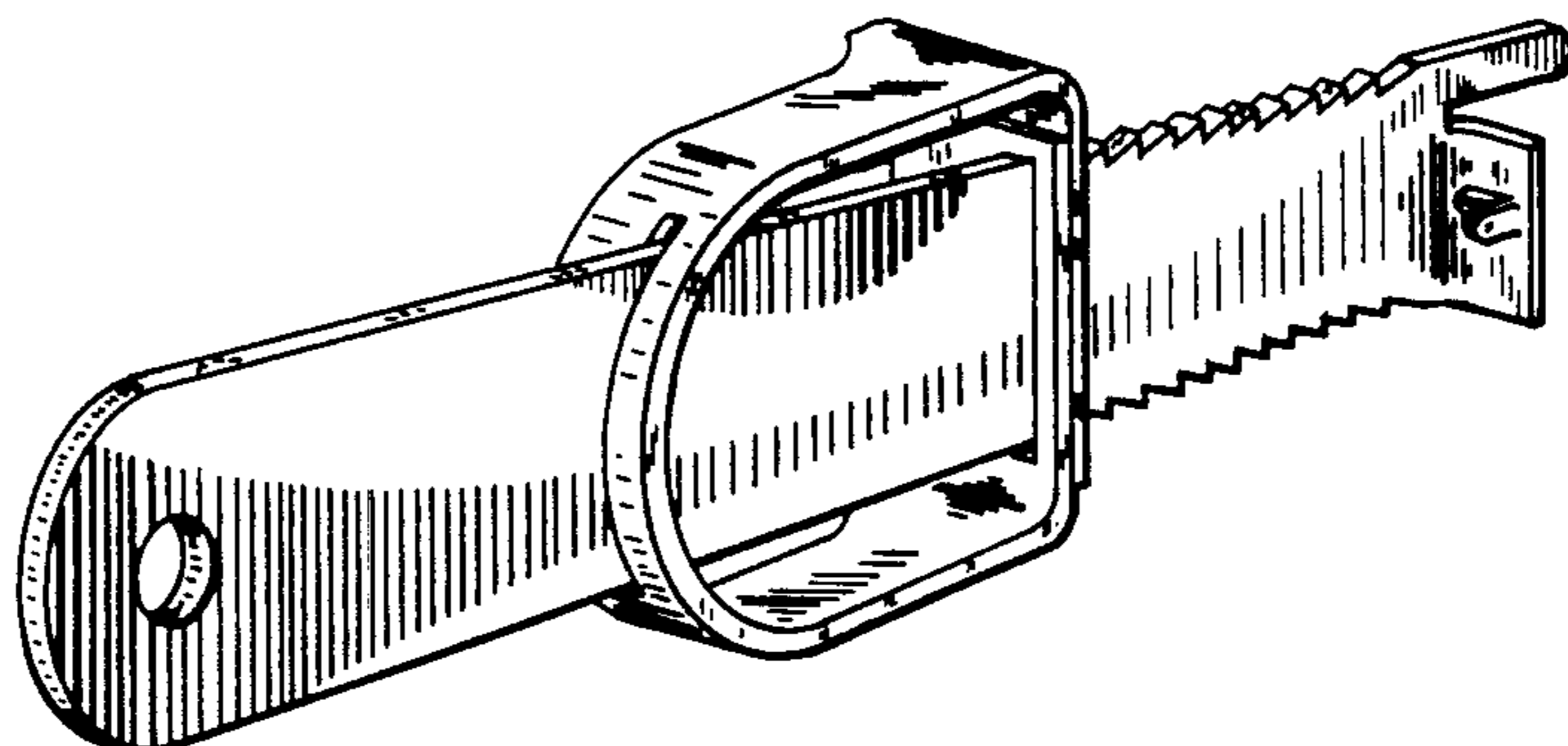


FIG. 2

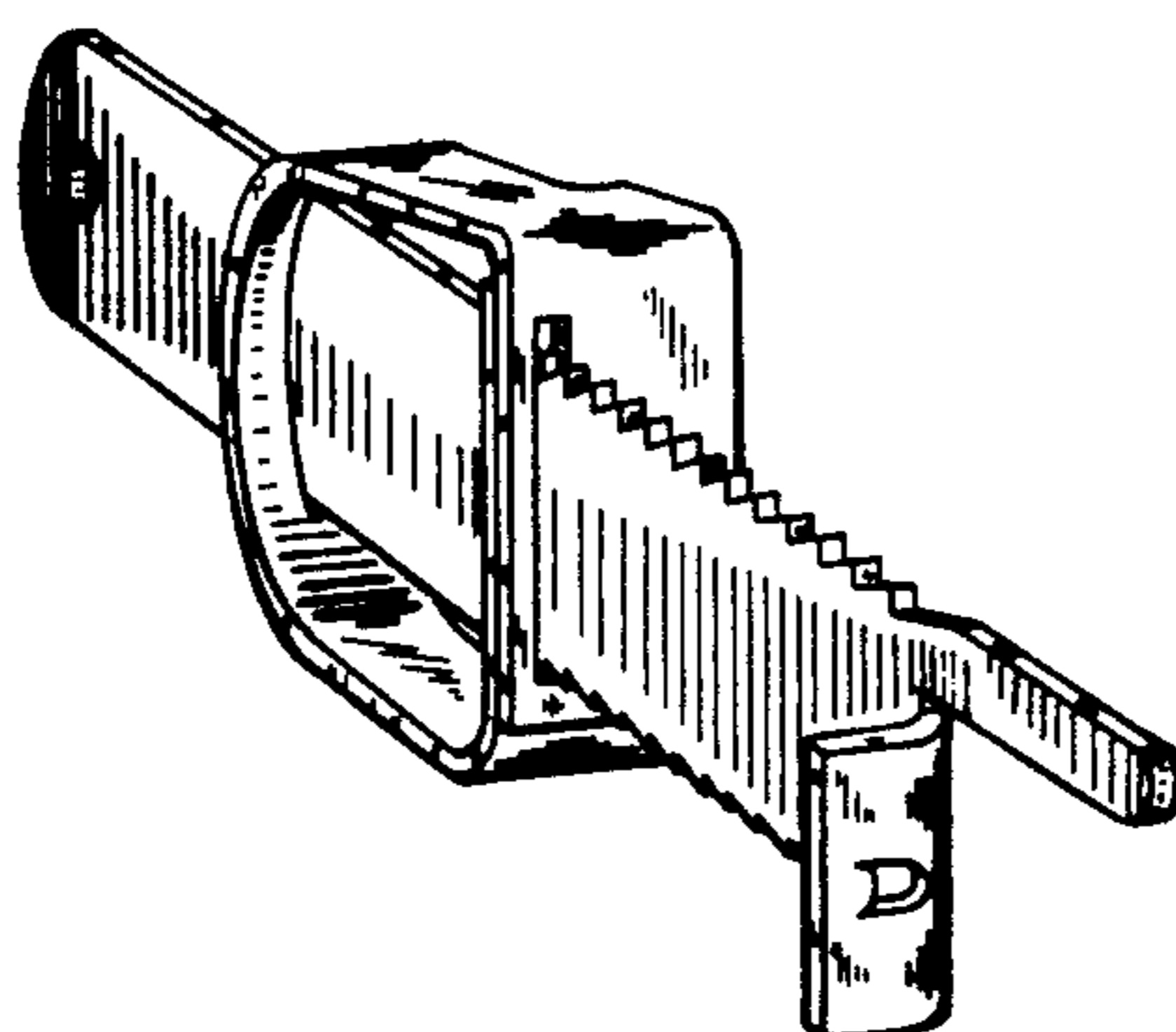


FIG. 3

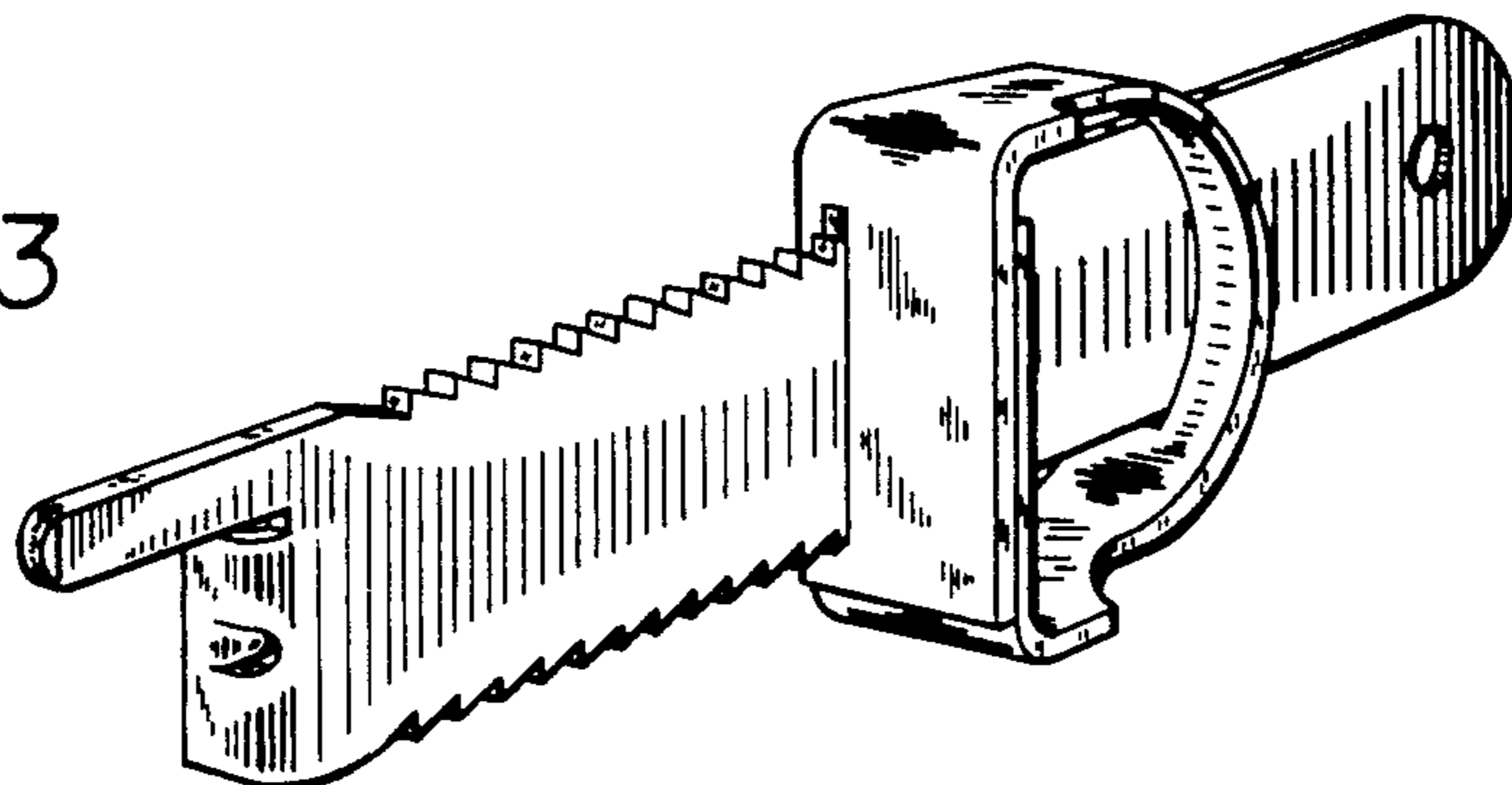


FIG. 4

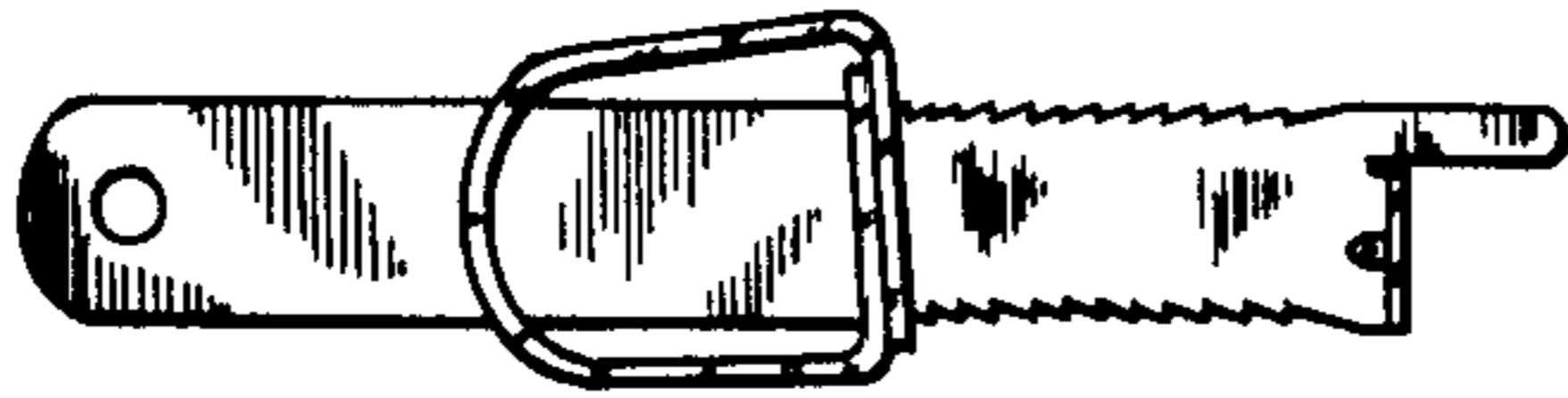


FIG. 5

FIG. 6

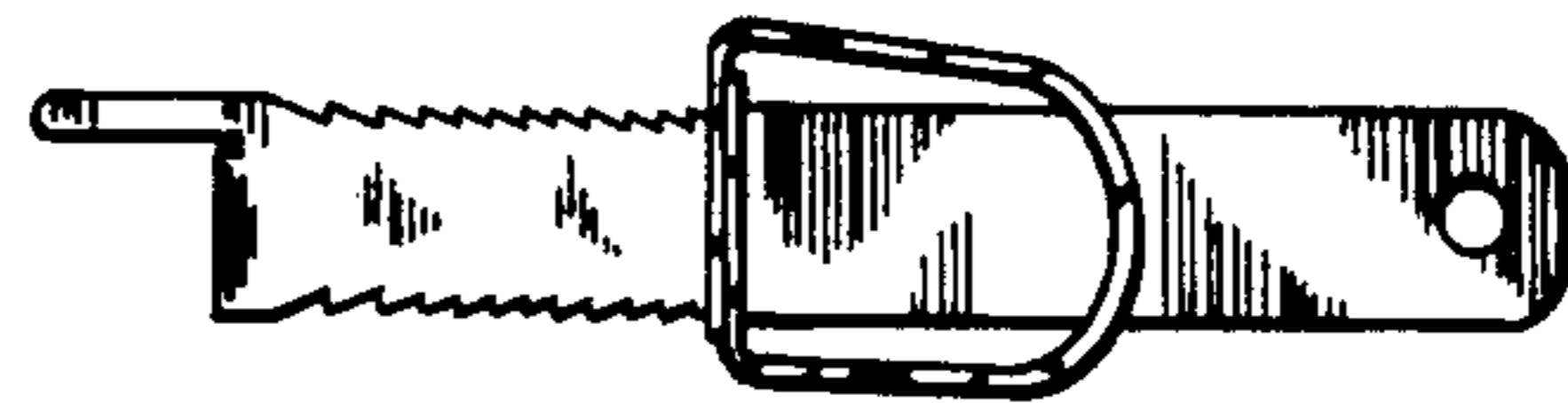


FIG. 7