

[54] LAUNDRY BASKET

[76] Inventor: Paul G. Thurman, West Liberty, Ohio 43357

[**] Term: 14 Years

[21] Appl. No.: 593,436

[22] Filed: July 7, 1975

[51] Int. Cl. D7-07

[52] U.S. Cl. D7/163

[58] Field of Search D87/1 R; D9/171, 221-222, D9/219, 230-231, 235, 237, 240, 246; 220/DIG. 2, 12-15, 71-74, 200; D7/163

[56] References Cited

OTHER PUBLICATIONS

Housewares Review, Jan. 1962, p. 41 - clothes hamper bottom center.

Primary Examiner—Joel Stearman
Assistant Examiner—Louis S. Zarfes
Attorney, Agent, or Firm—Truman A. Herron

[57] CLAIM

The ornamental design for a laundry basket, as shown.

DESCRIPTION

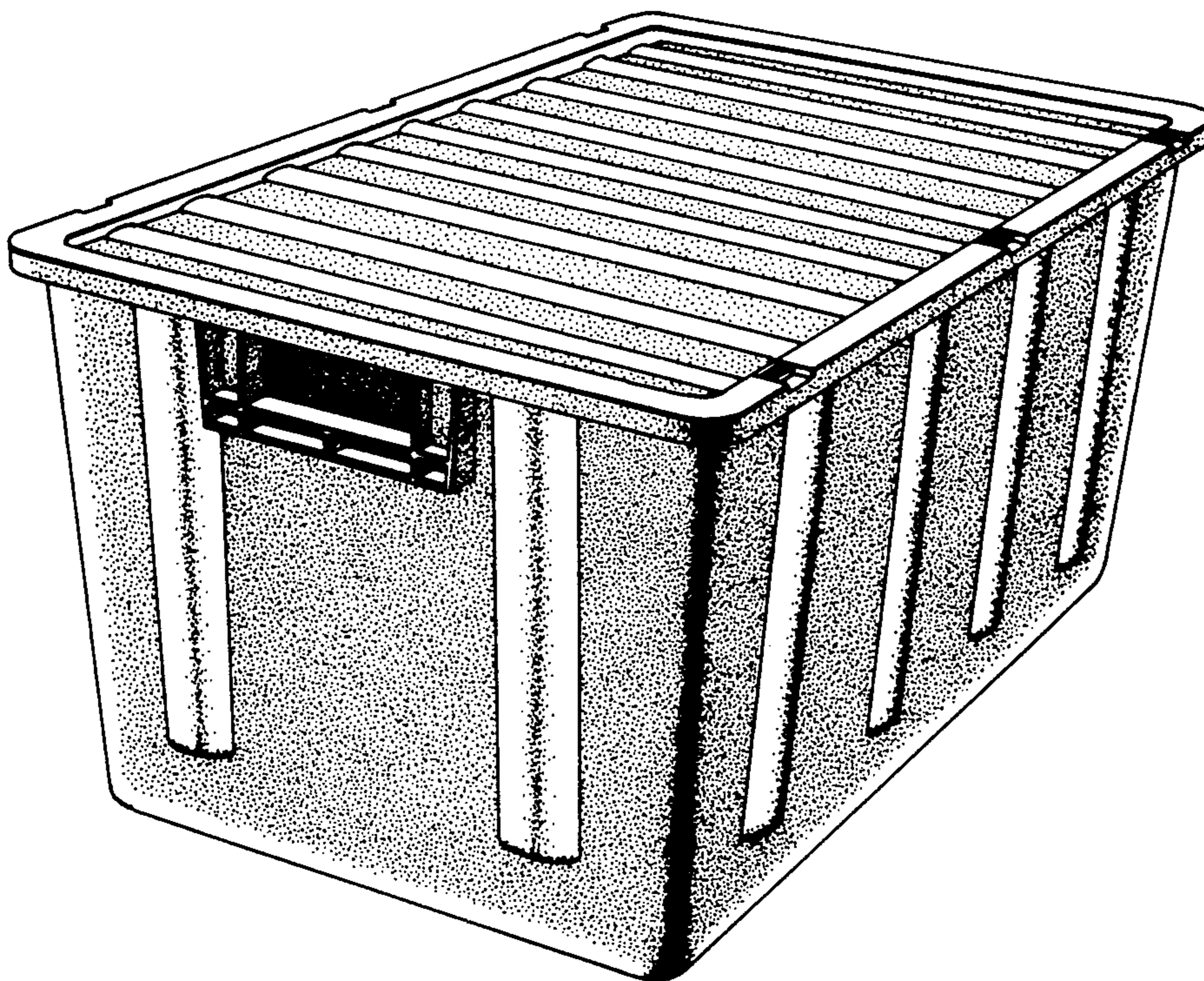
FIG. 1 is a perspective view of a laundry basket showing my new design.

FIG. 2 is a top plan view of the laundry basket of FIG. 1.

FIG. 3 is an end elevational view of the laundry basket of FIG. 1.

FIG. 4 is a rear elevational view of the laundry basket of FIG. 1.

FIG. 5 is a bottom plan view of the laundry basket of FIG. 1.



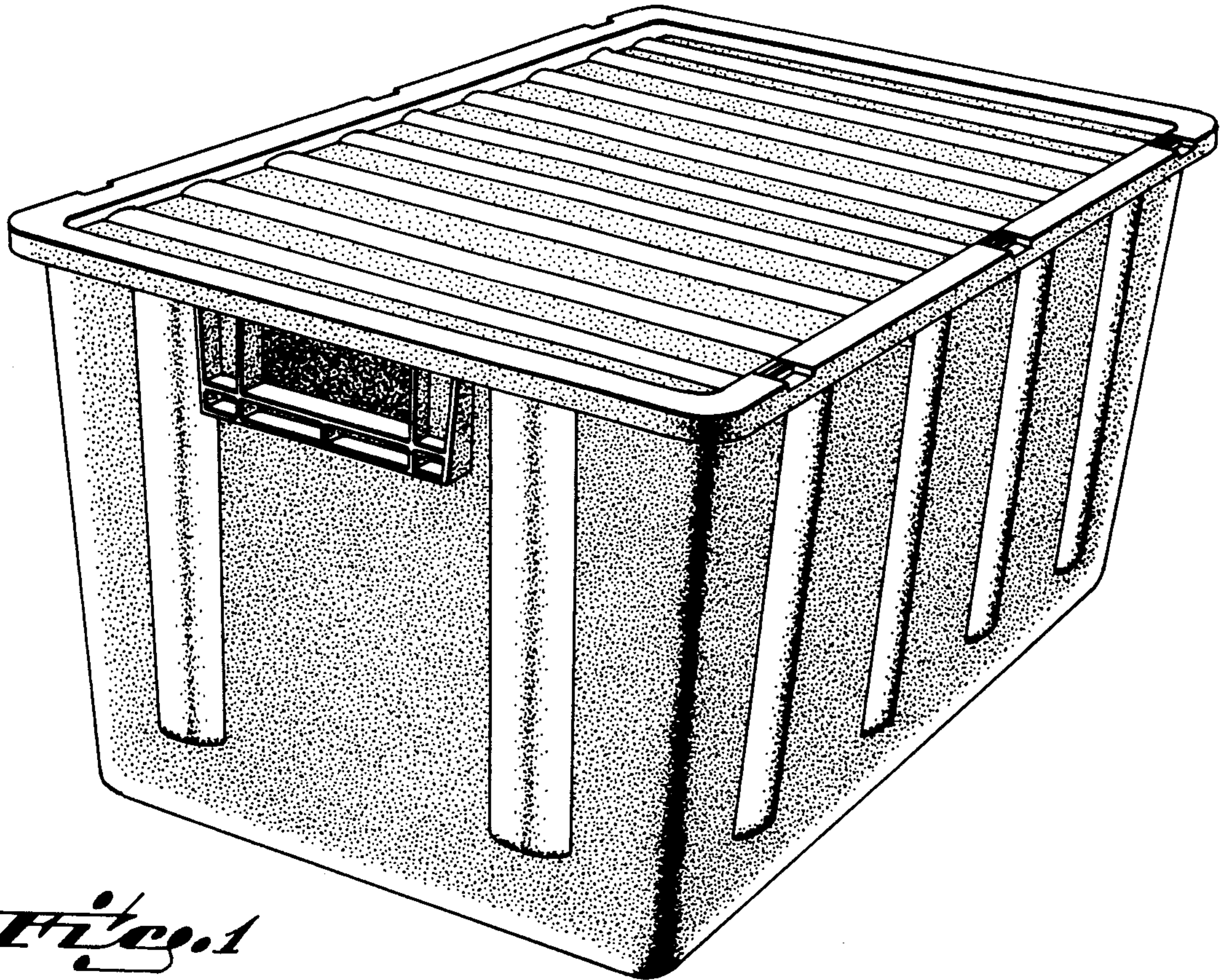


Fig. 1

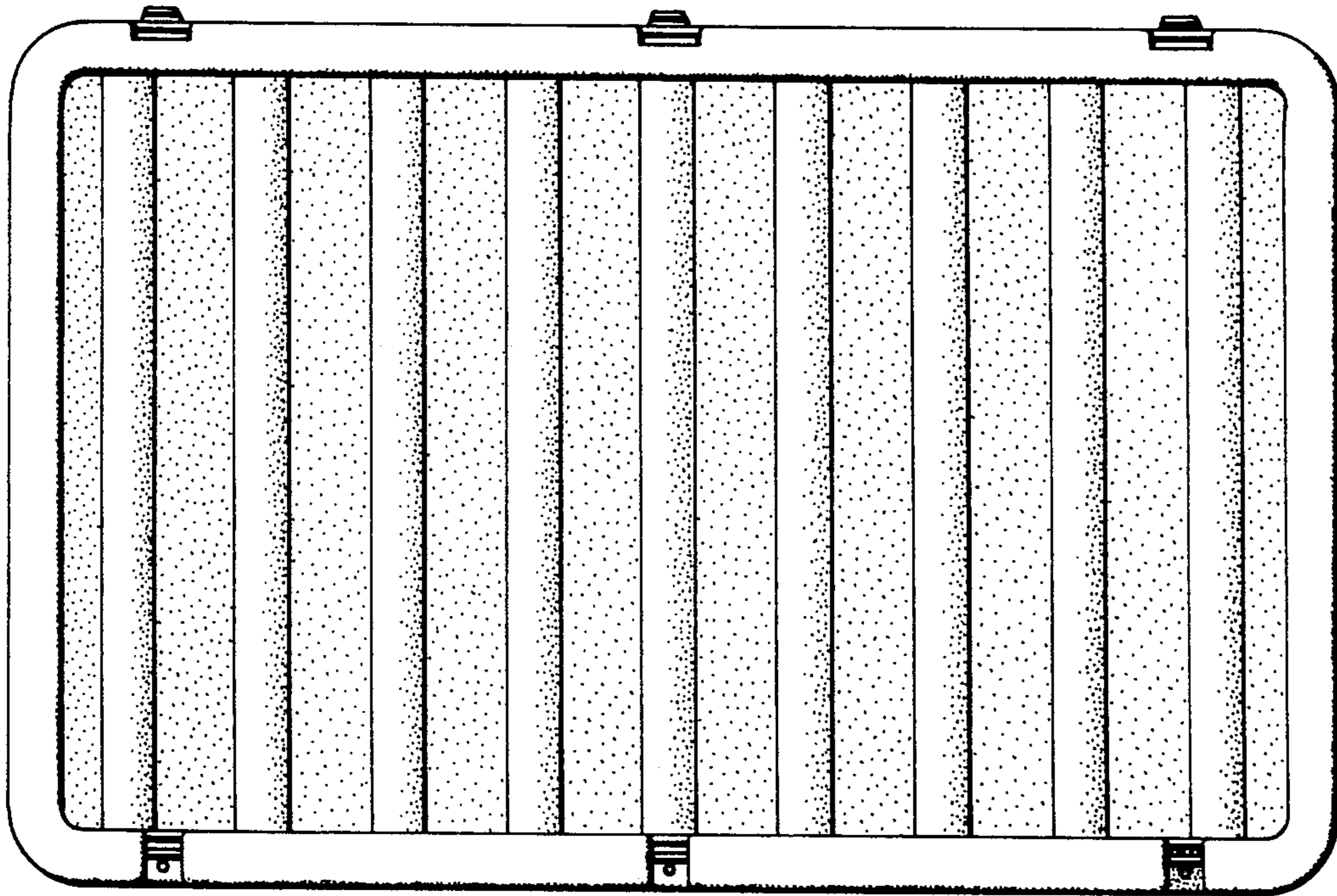


Fig. 2

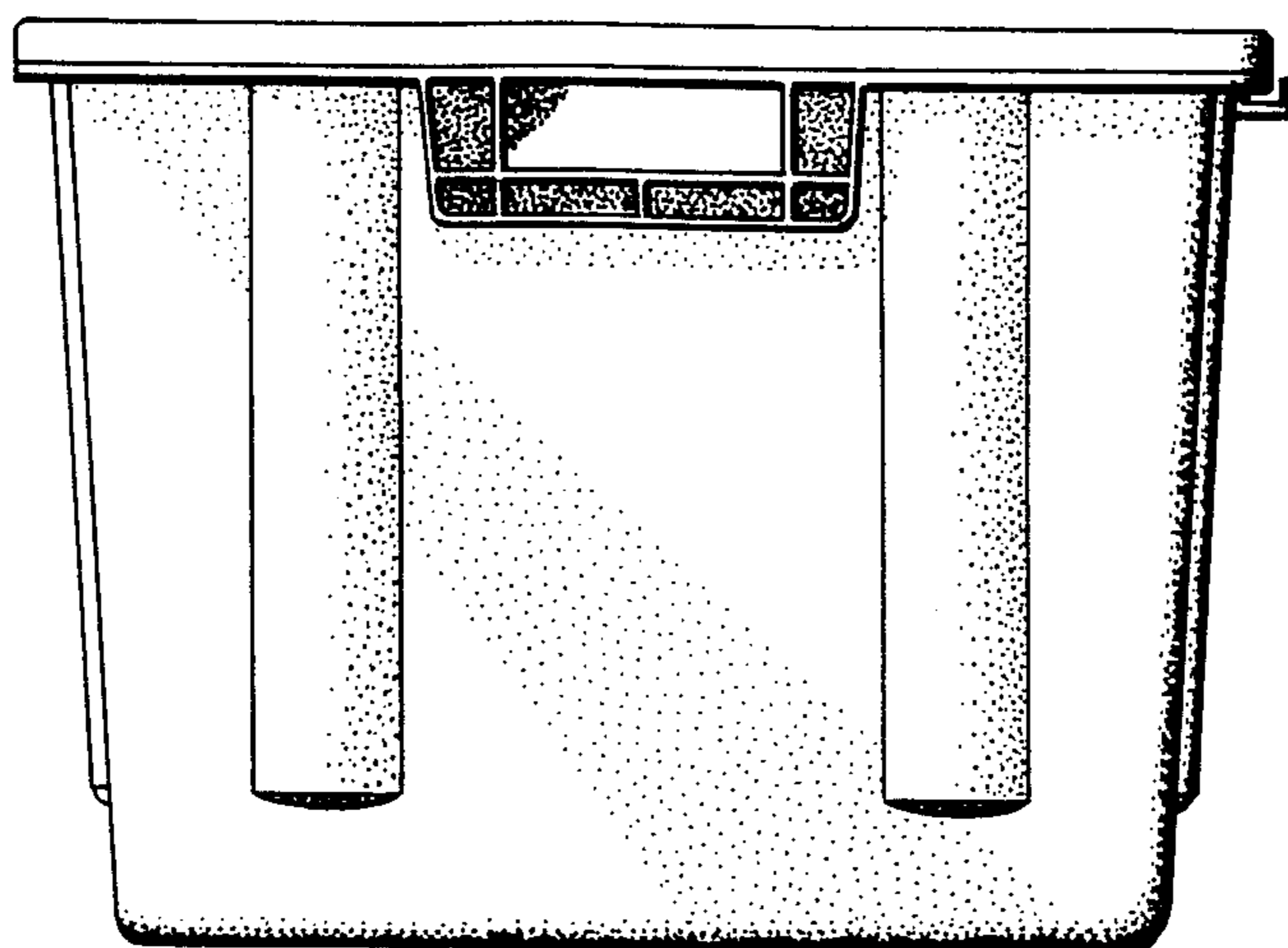


Fig. 5

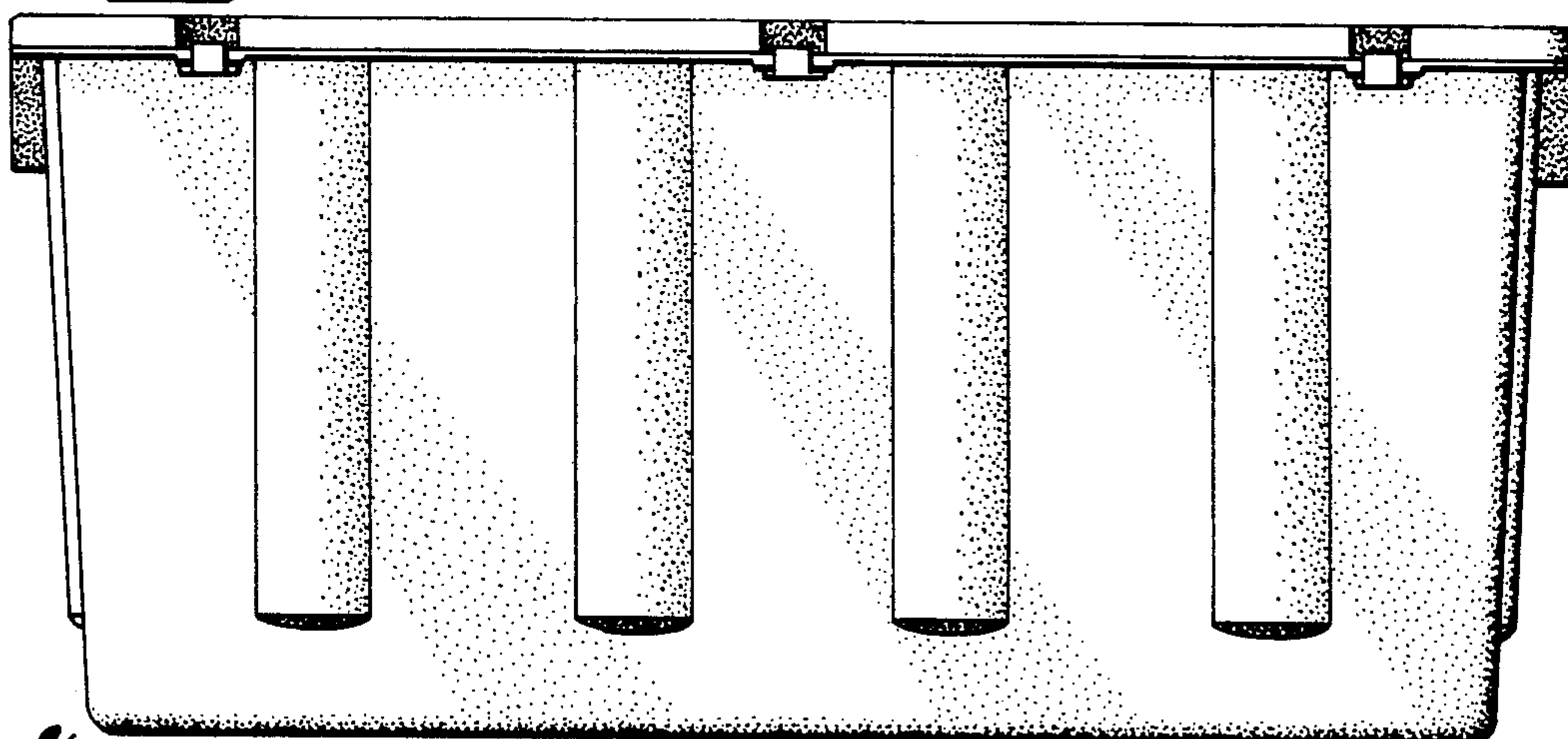


Fig. 4

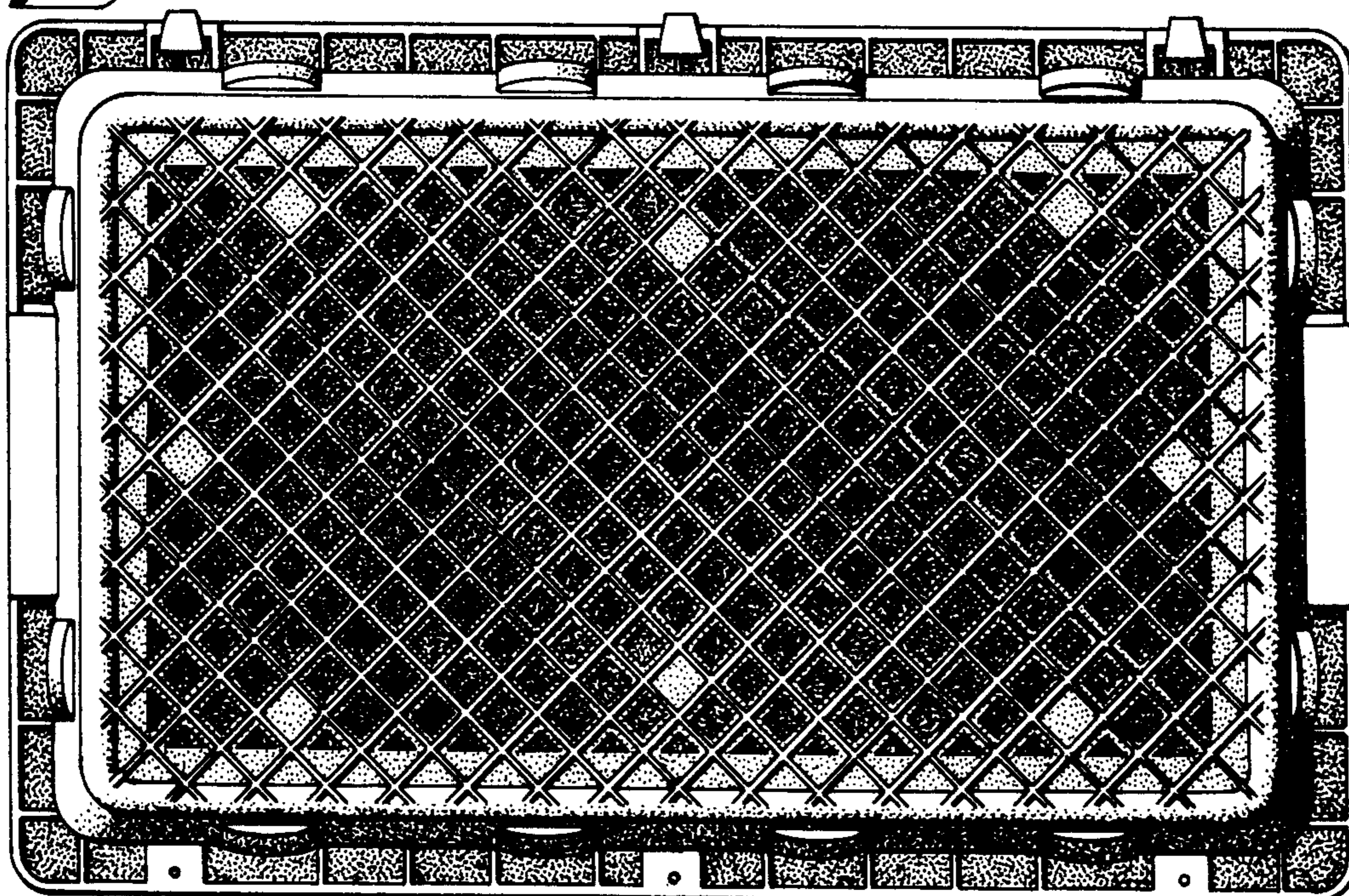


Fig. 5