

[54] HOT DOG COOKER

[75] Inventor: Ernest Lee, Park Ridge, Ill.

[73] Assignee: Sunbeam Corporation, Chicago, Ill.

[\*\*] Term: 14 Years

[21] Appl. No.: 573,196

[22] Filed: Apr. 30, 1975

[51] Int. Cl. .... D7-02

[52] U.S. Cl. .... D7/85

[58] Field of Search ..... D7/85, 41, 94, 107, D7/110, 5, 76-82, 56; D34/11 A, 15 LL; D30/1, 3, 4, 13, 14; D9/197; D87/1 R, 3 C

[56] References Cited

U.S. PATENT DOCUMENTS

825,177 7/1906 Bales ..... D87/3 C X  
D. 228,609 10/1973 Tarsitano, Jr. .... D7/107

OTHER PUBLICATIONS

House Beautiful, Oct. 1964, p. 108, canister barn shown at bottom center.

Sears Christmas Book, 1971, p. 270, item No. 2 top left - Snoopy and Dog House Bank.

Sears Christmas Book, 1971, p. 270, item No. 27 - Snoopy mobile-doghouse in center.

Primary Examiner—Winifred E. Herrmann  
Attorney, Agent, or Firm—George R. Clark

[57] CLAIM

The ornamental design for a hot dog cooker, as shown and described.

DESCRIPTION

FIG. 1 is a front perspective view of a hot dog cooker showing my new design;  
FIG. 2 is a front elevational view thereof;  
FIG. 3 is a side elevational view thereof, the other side being a mirror image;  
FIG. 4 is a top plan view thereof;  
FIG. 5 is a rear elevational view thereof;  
FIG. 6 is a perspective view of the hot dog cooker in open condition with the cover spaced above the lower portion; and  
FIG. 7 is a sectional view taken along lines 7-7 of FIG. 6.

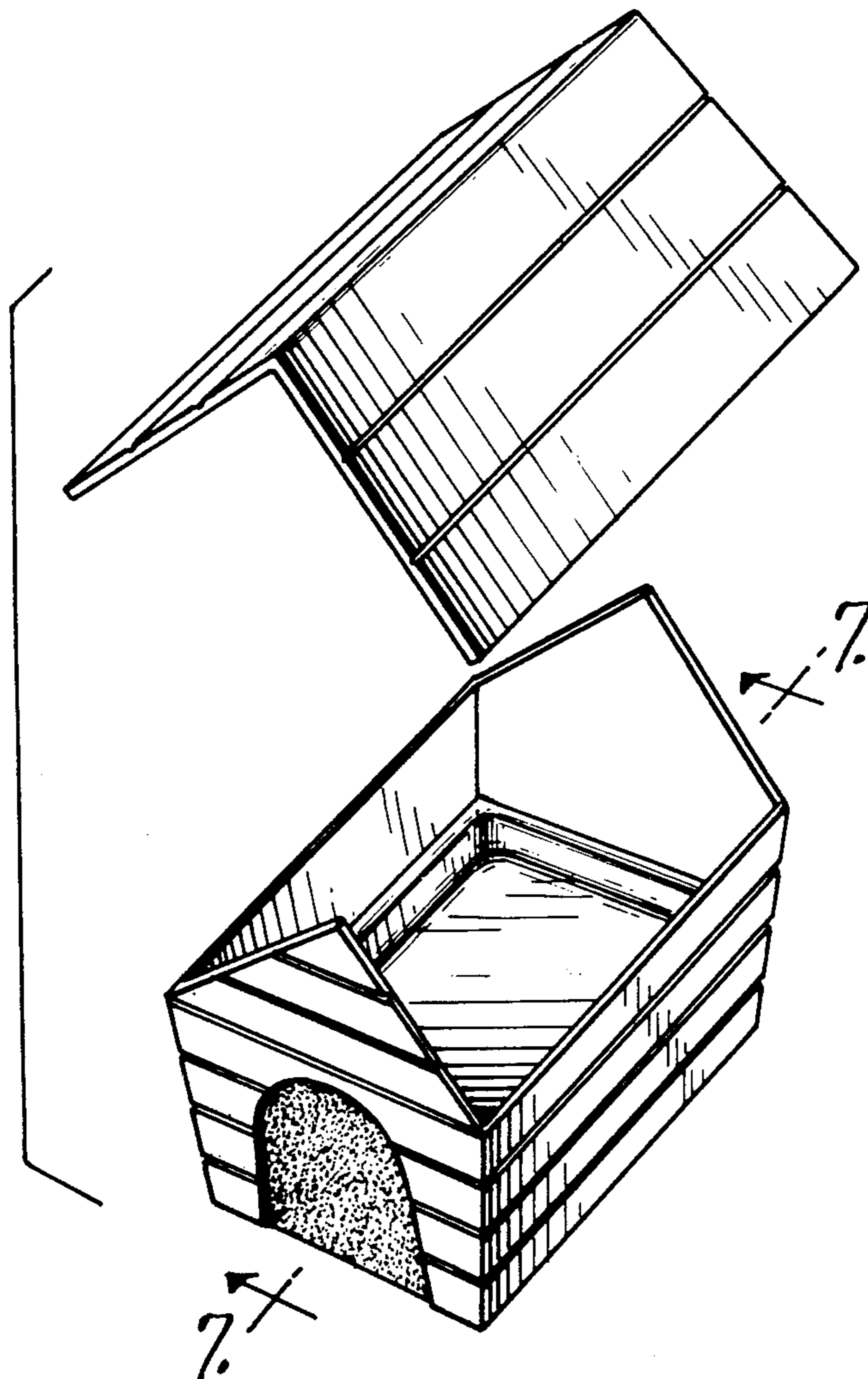


FIG. 1.

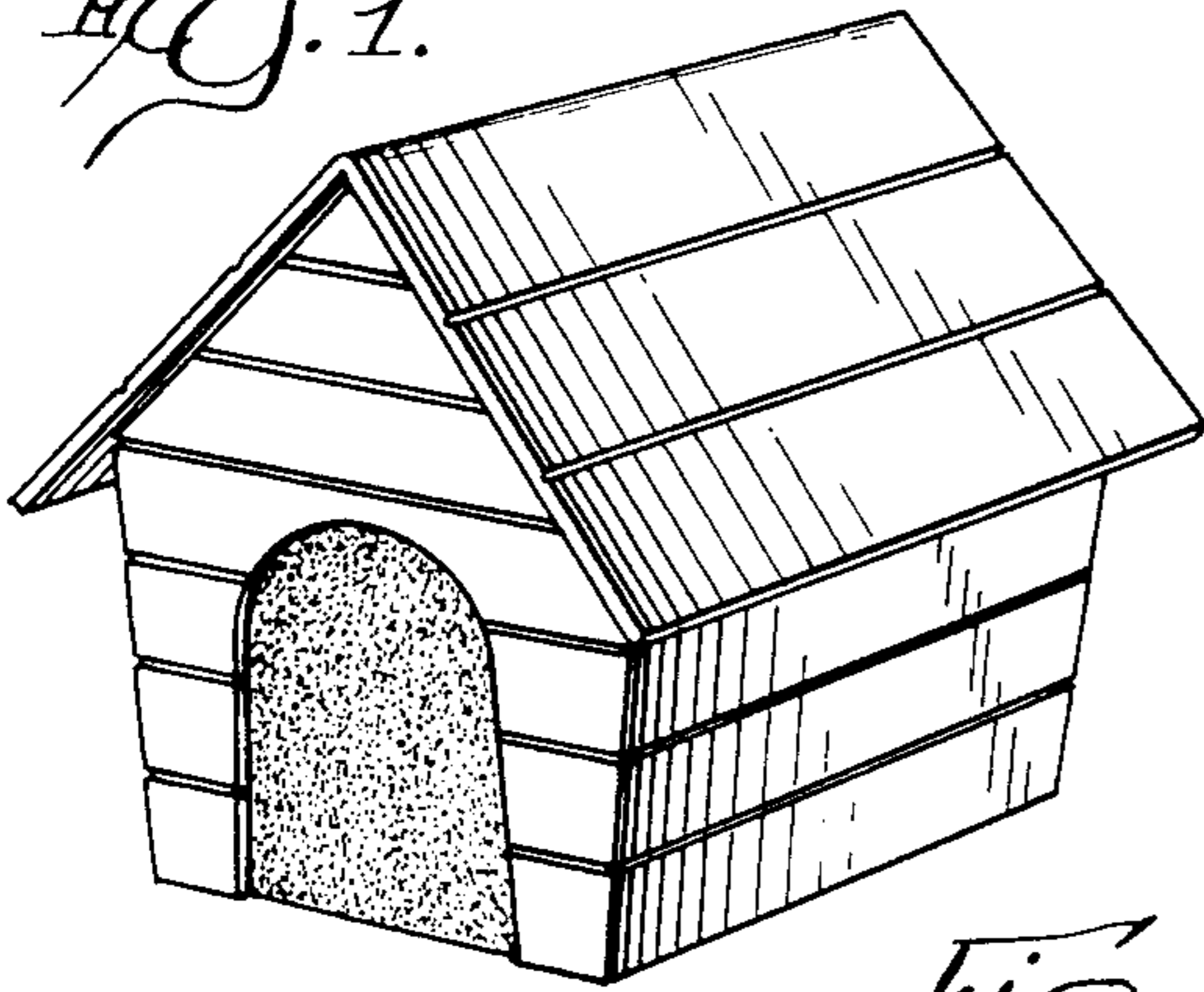


FIG. 2.

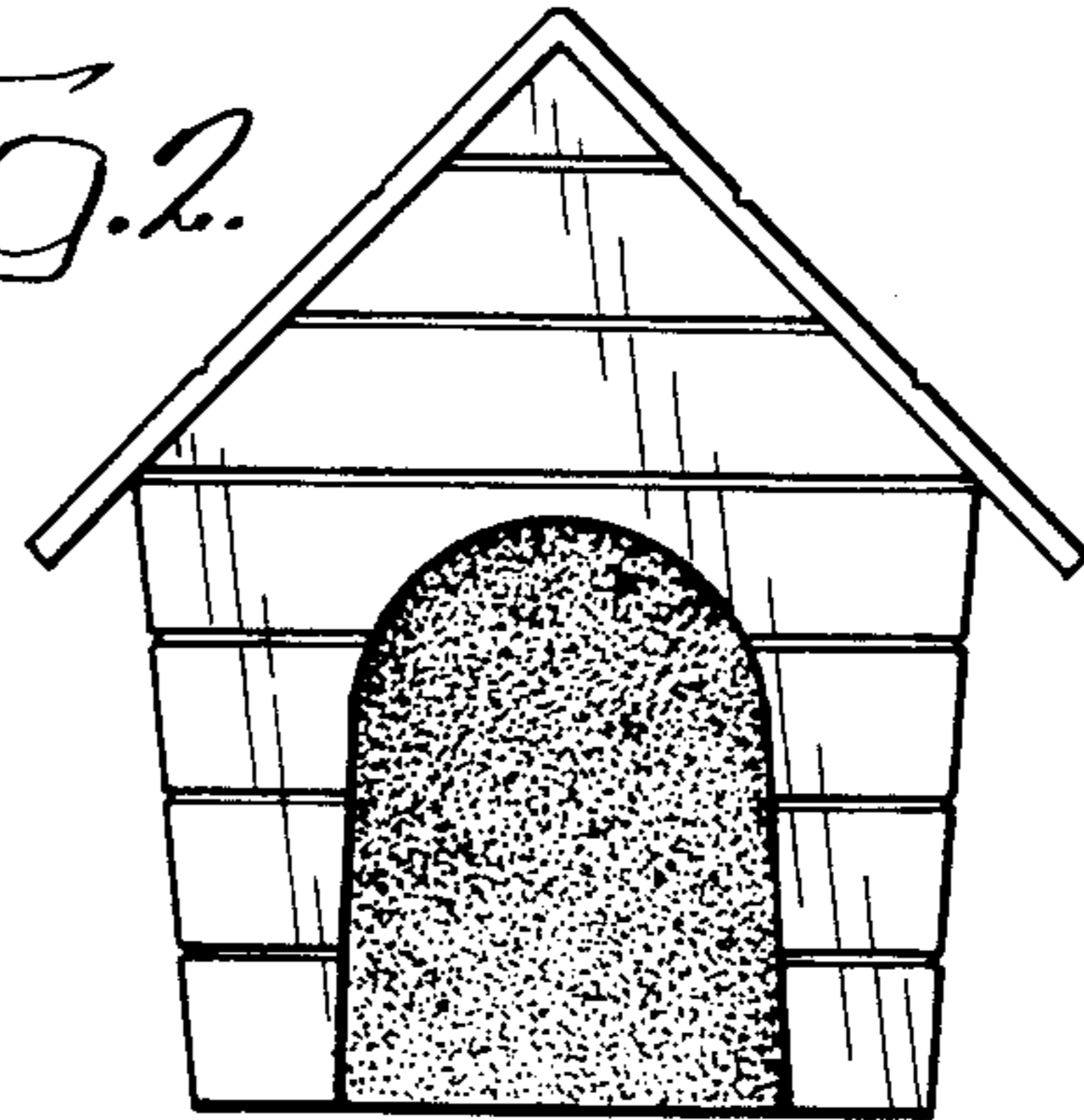


FIG. 3.

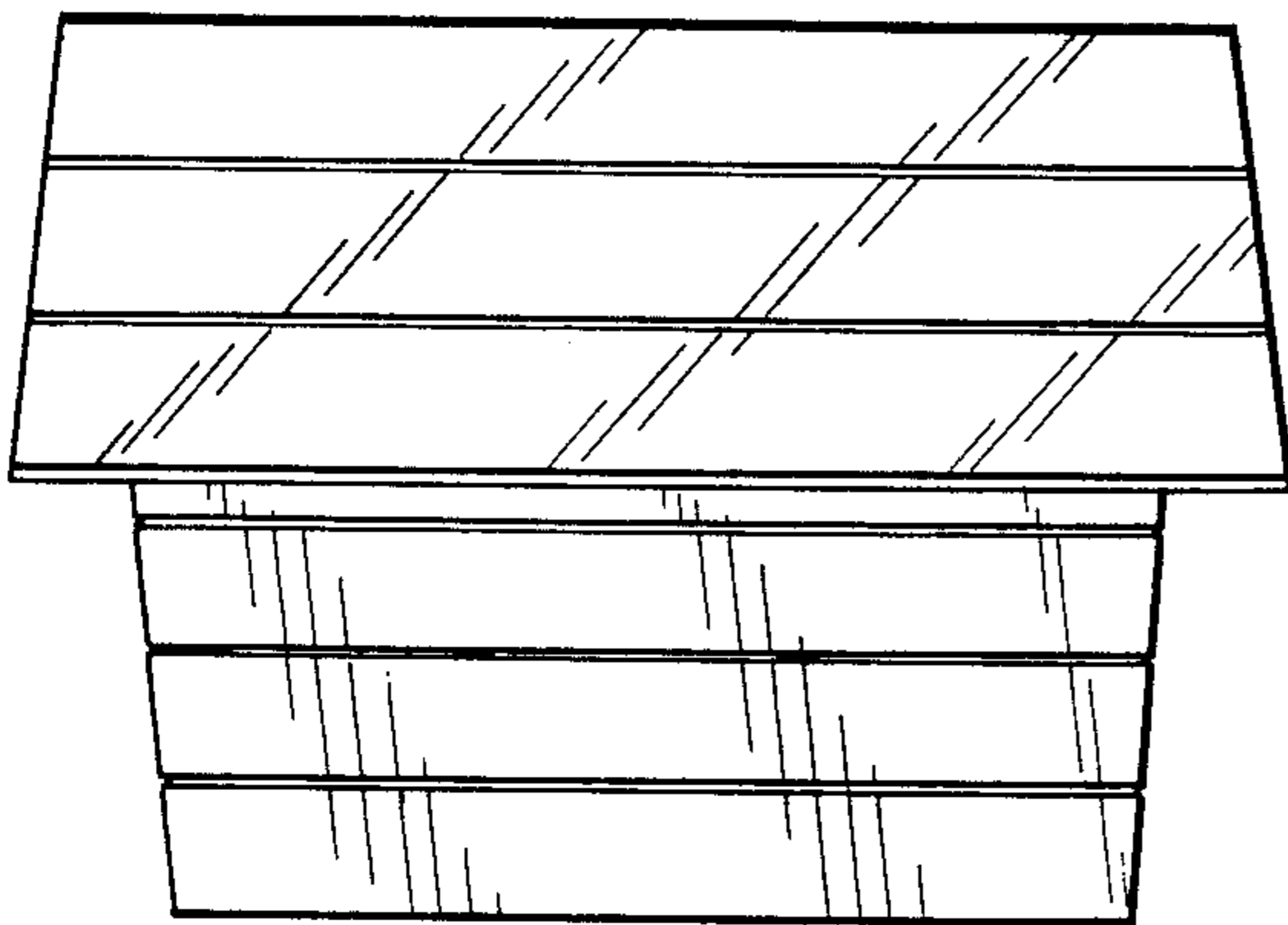


FIG. 4.

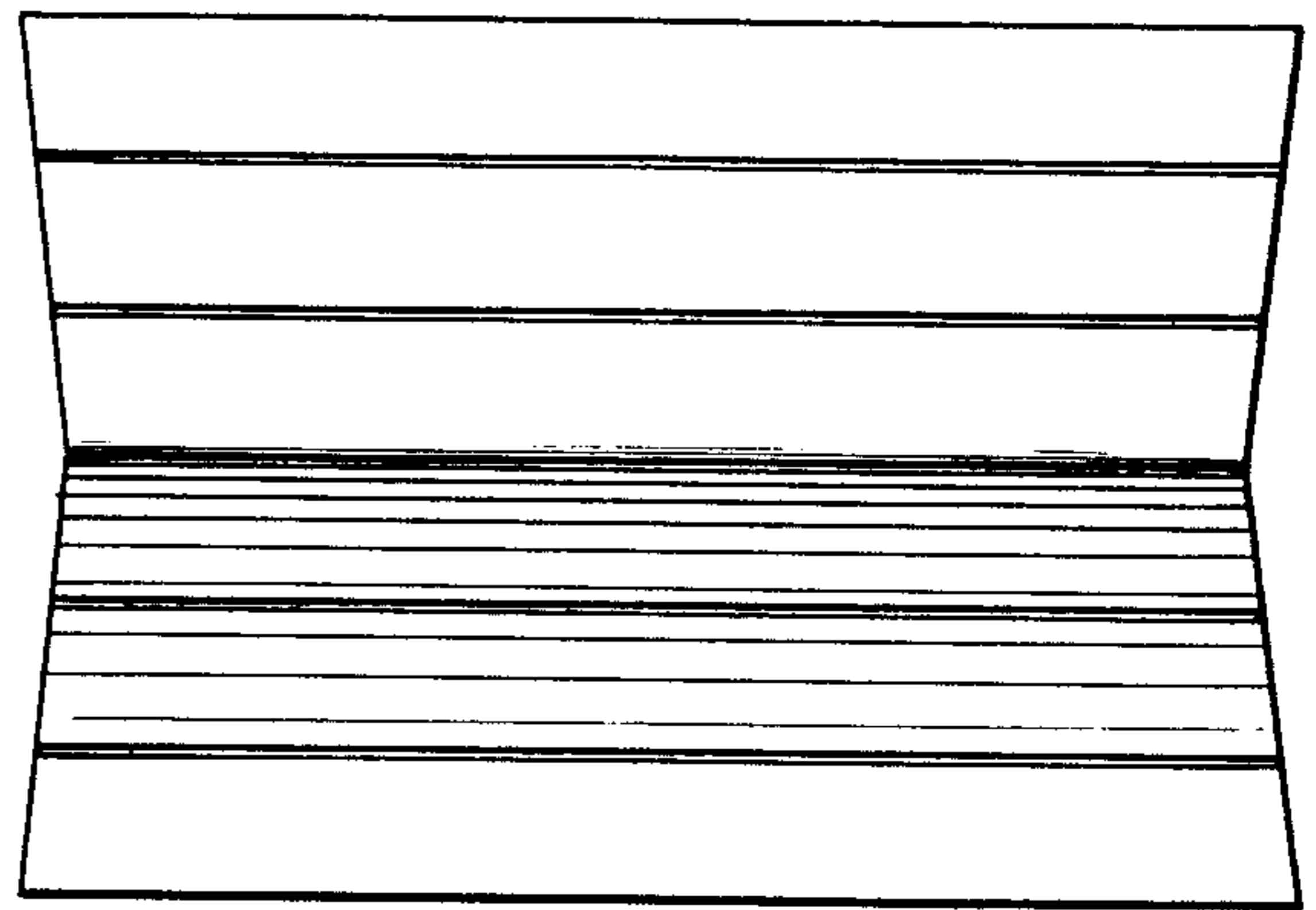


FIG. 6.

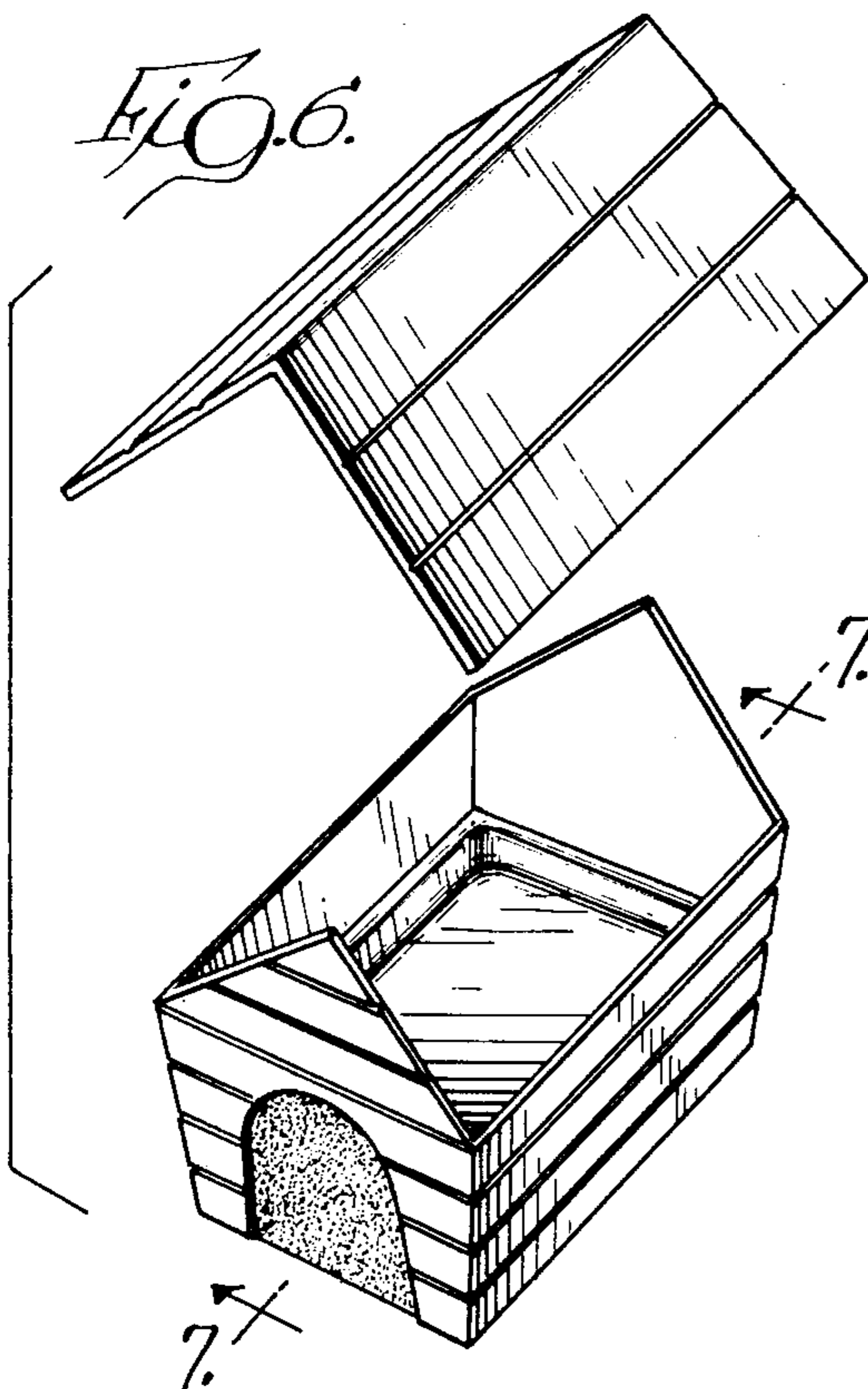


FIG. 5.

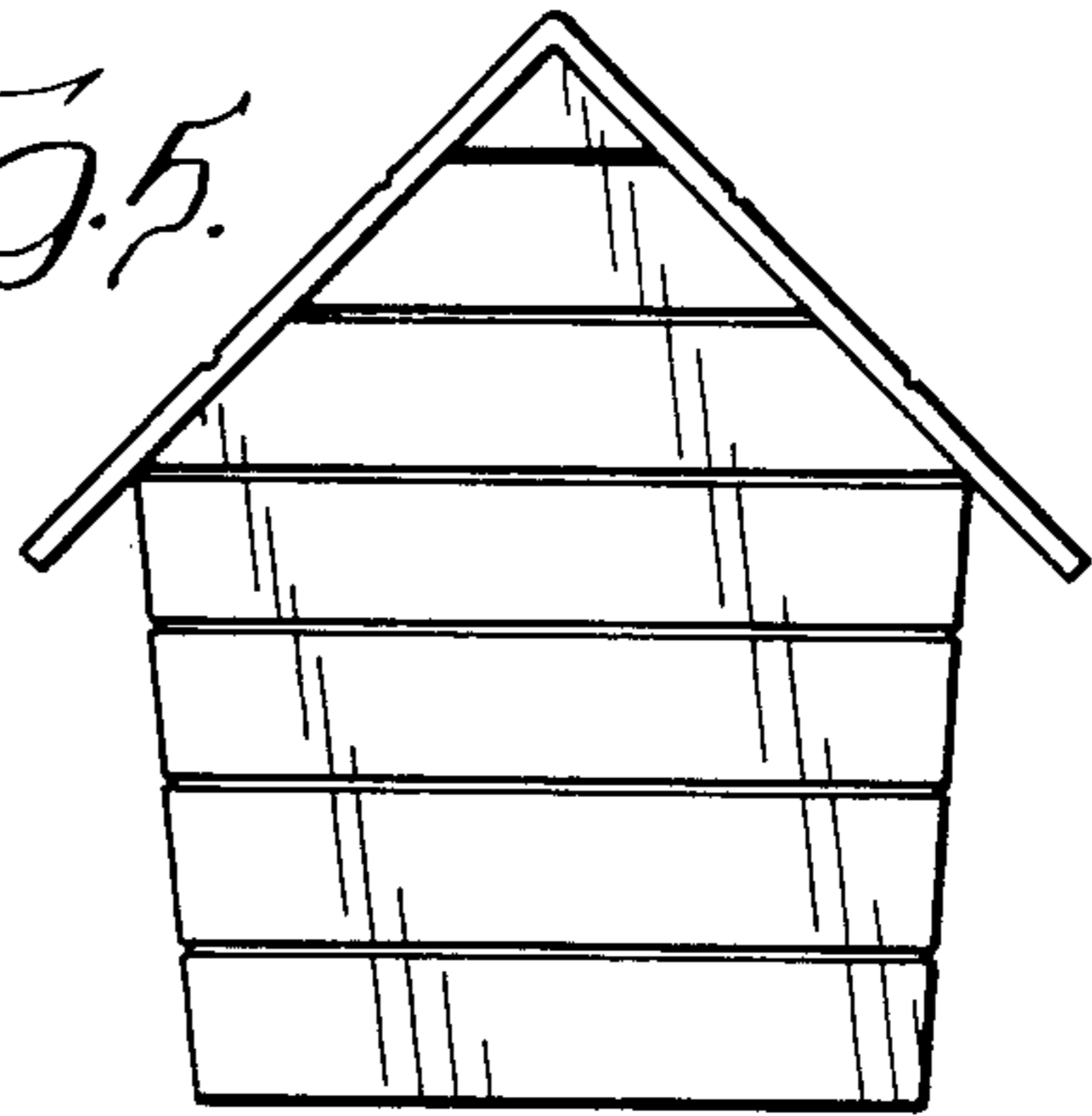


FIG. 7.

