

[54] STRAINER

[75] Inventor: Thomas M. Pearce, Alabaster, Ala.

[73] Assignee: Alabaster Industries, Alabaster, Ala.

[\*\*] Term: 14 Years

[21] Appl. No.: 608,200

[22] Filed: Aug. 27, 1975

[51] Int. Cl. .... D7-04

[52] U.S. Cl. .... D7/47

[58] Field of Search ..... D7/68, 47, 48; D23/4; 210/474, 471, 470

[56] References Cited

U.S. PATENT DOCUMENTS

526,637	9/1894	Ryan	.....	210/474	X
968,744	8/1910	Danielson	.....	D7/47	X

D. 27,821	11/1897	Baumgarten	.....	D7/48
D. 114,201	4/1939	Spira	.....	D7/48

FOREIGN PATENT DOCUMENTS

403,281	10/1924	Germany	.....	210/470
601,608	2/1933	Germany	.....	210/474

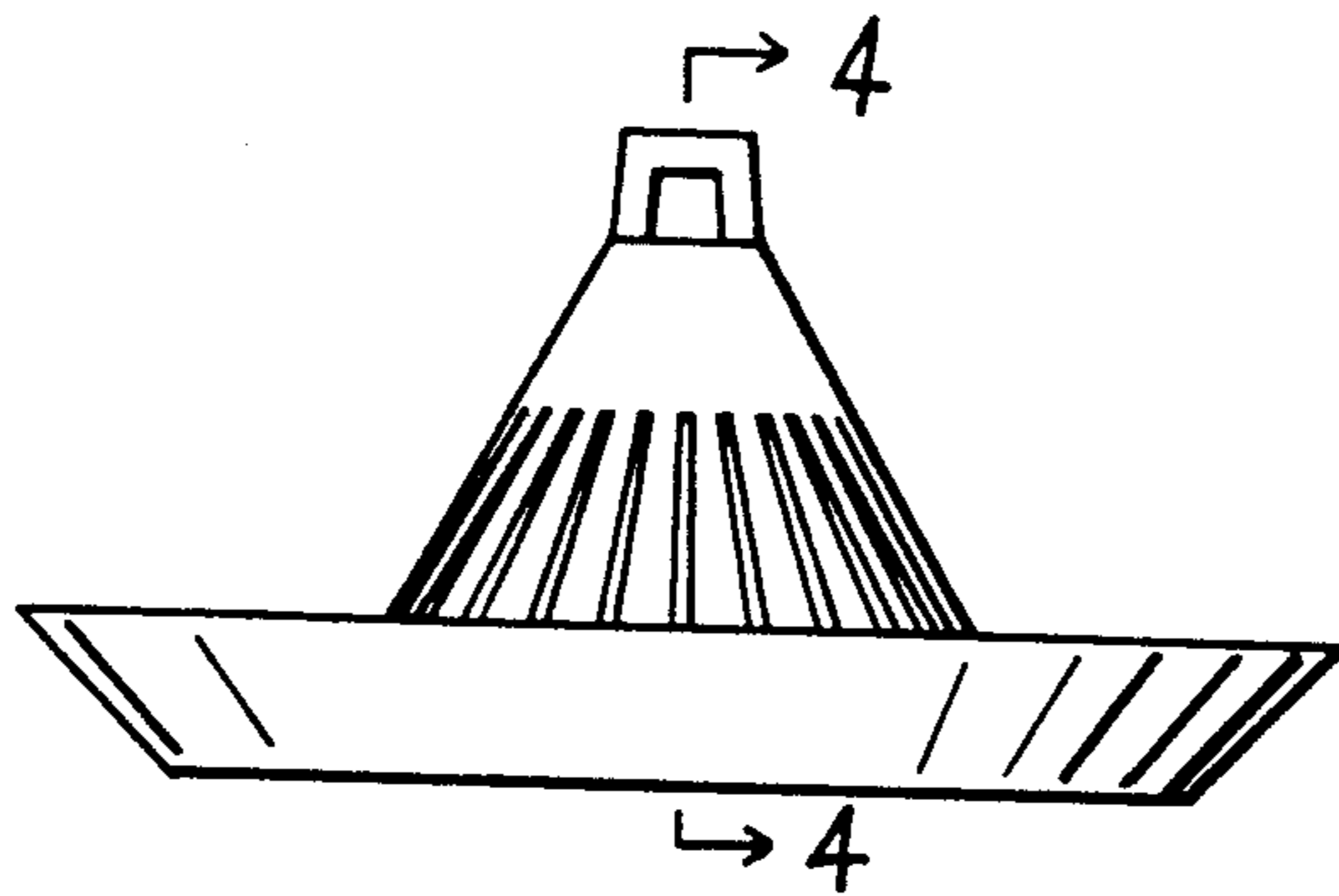
Primary Examiner—Winifred E. Herrmann  
Attorney, Agent, or Firm—Hugh P. Carter

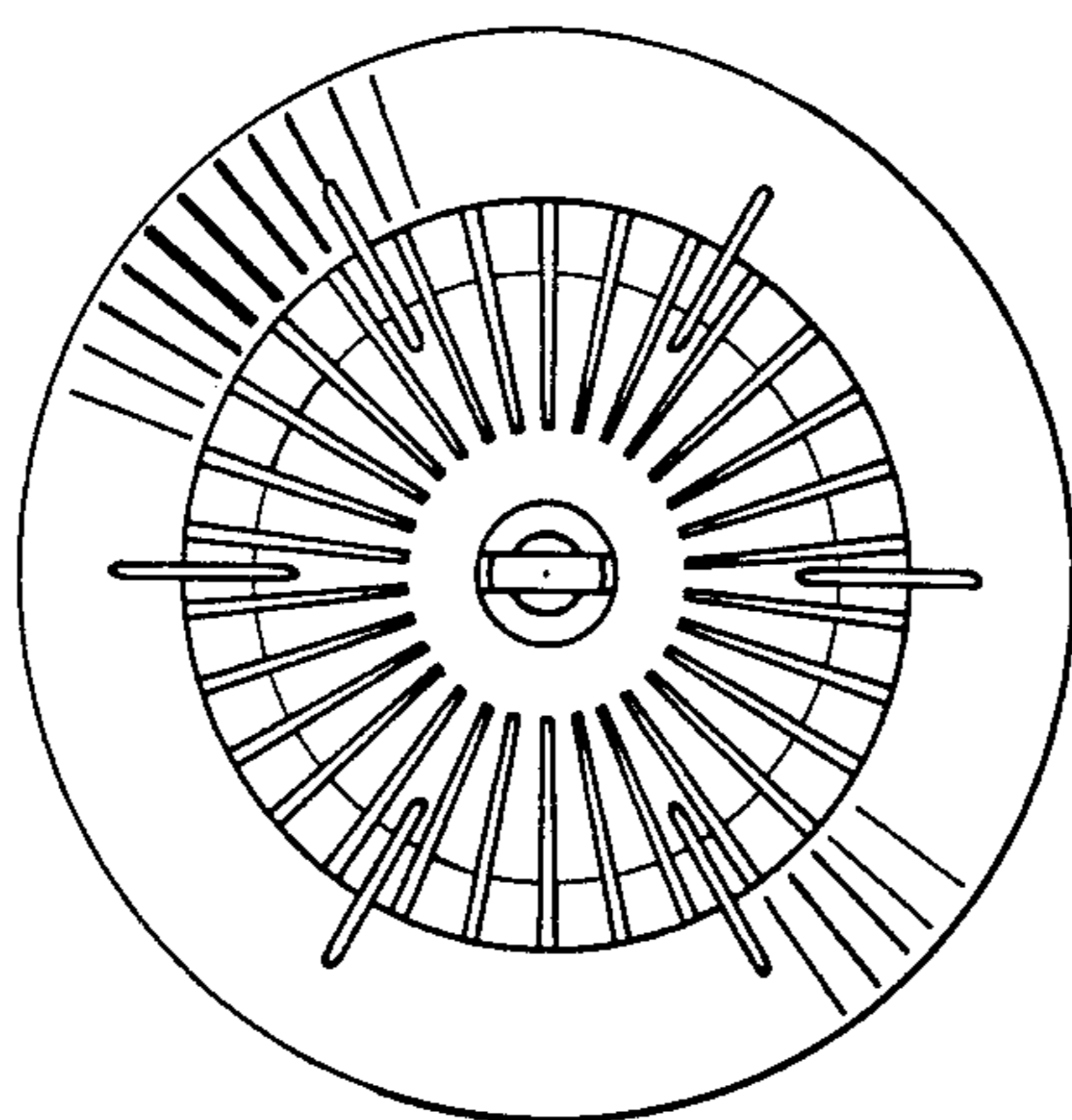
[57] CLAIM

The ornamental design for a strainer, substantially as shown.

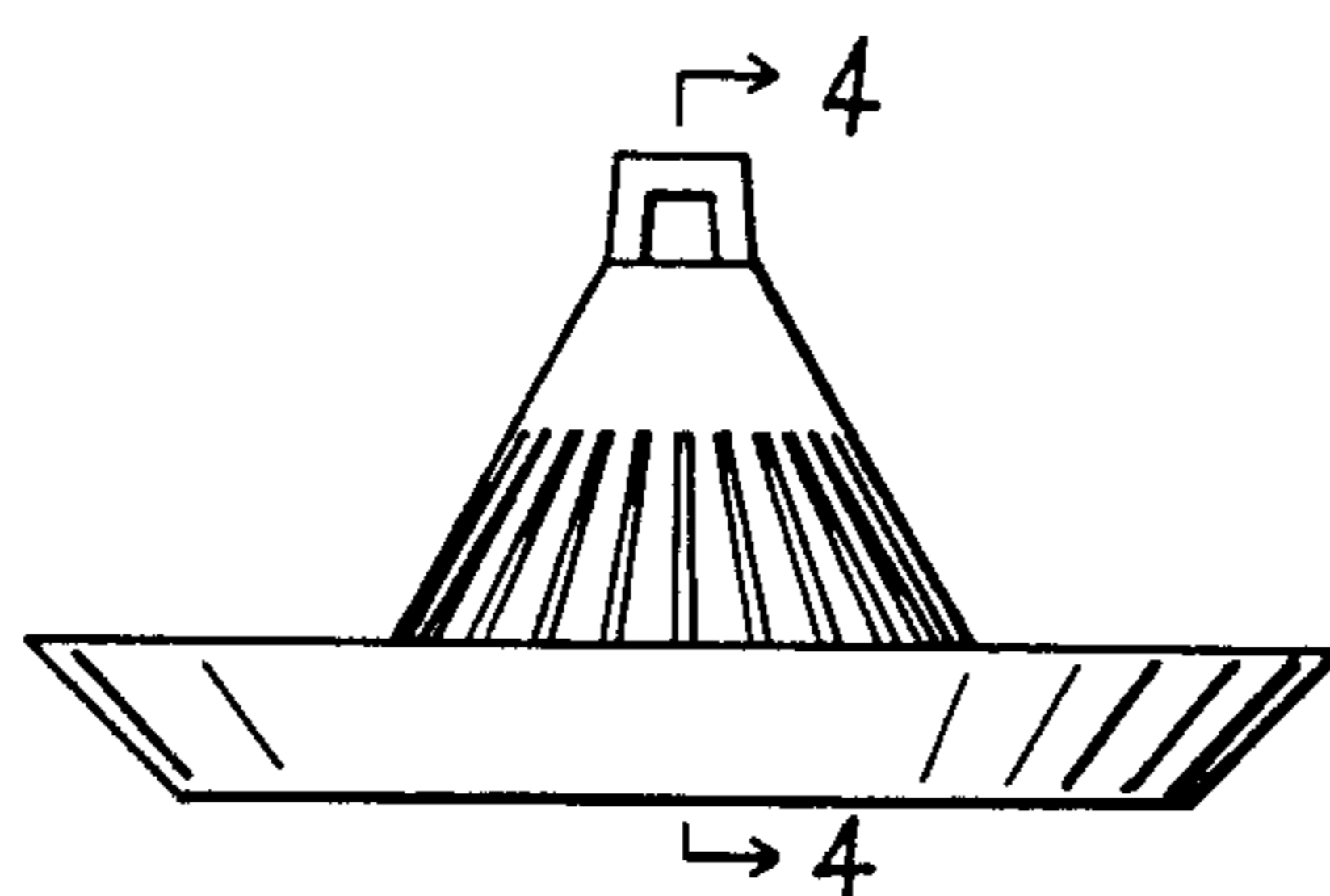
DESCRIPTION

FIG. 1 is a plan view of a strainer illustrating my new design;  
FIG. 2 is a side elevational view;  
FIG. 3 is a bottom view; and,  
FIG. 4 is a view taken generally on 4—4 of FIG. 2.

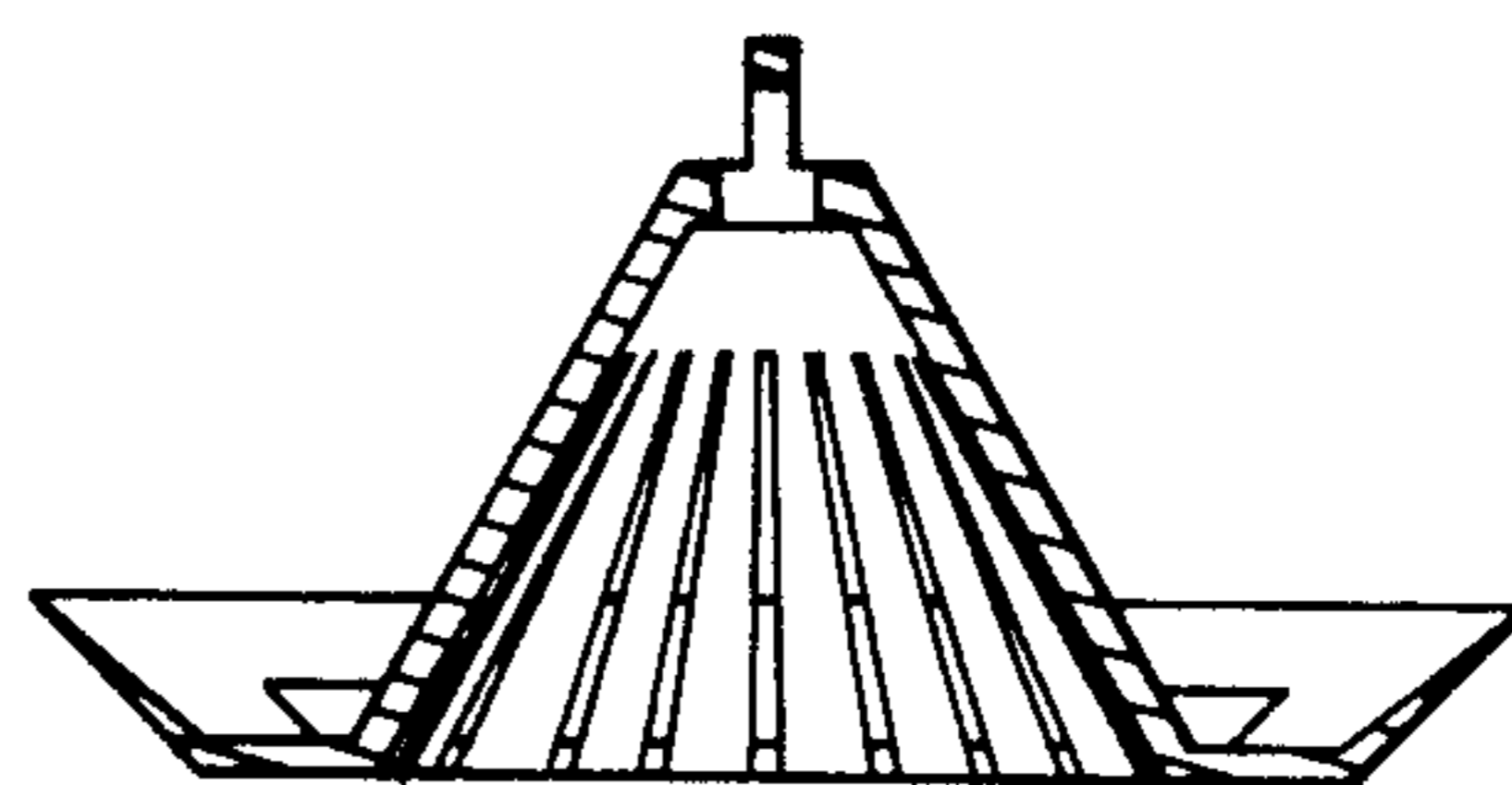




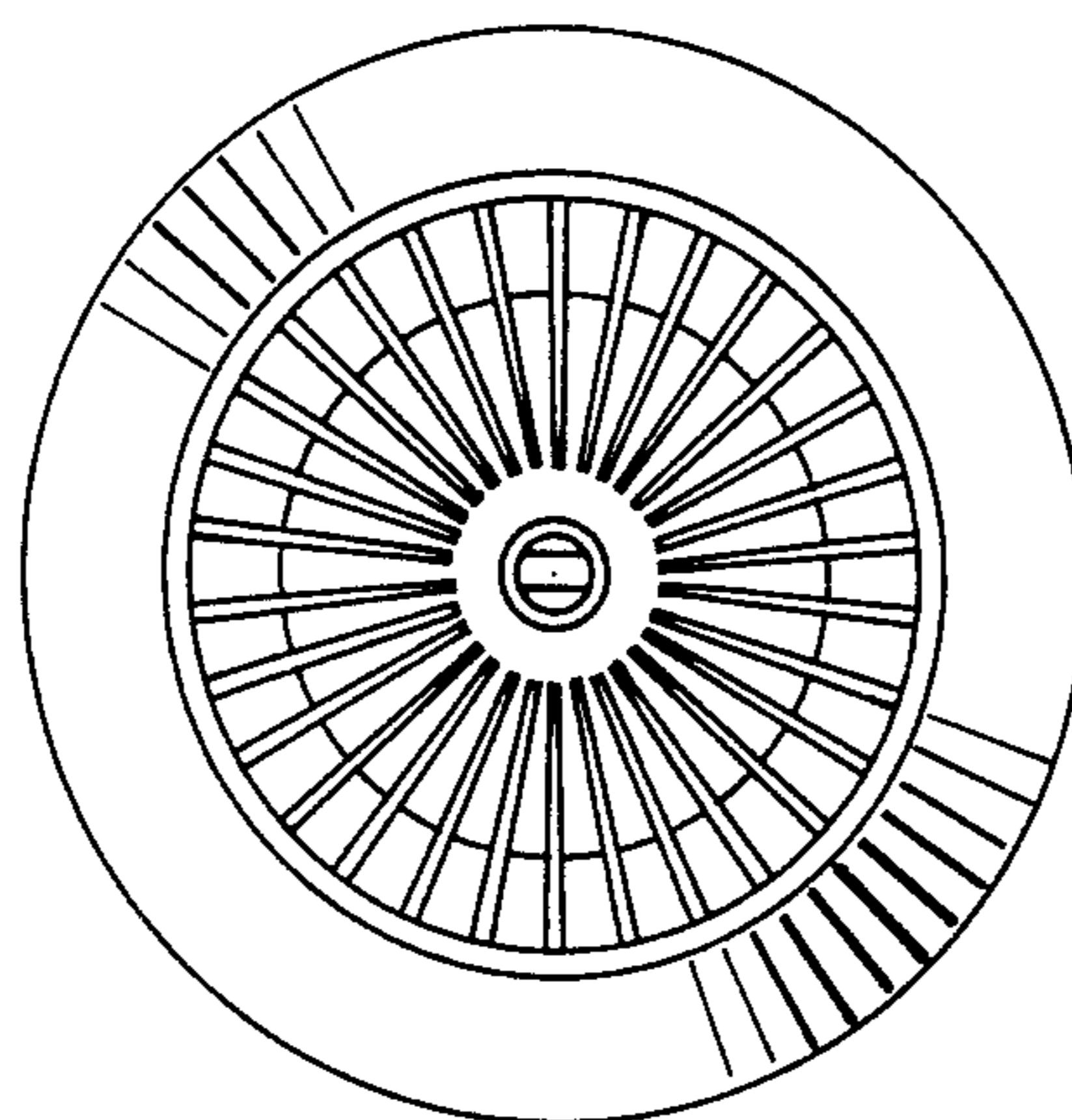
**Fig 1**



**Fig 2**



**Fig 4**



**Fig 3**