

[54] BENCH OR SIMILAR ARTICLE

[76] Inventor: Merion A. Sowers, 519 Robbins Ave., North Apollo, Pa. 15673

[\*\*] Term: 14 Years

[21] Appl. No.: 576,141

[22] Filed: May 9, 1975

[51] Int. Cl. .... D6-01

[52] U.S. Cl. .... D6/60

[58] Field of Search .... D6/47-78

[56] References Cited

U.S. PATENT DOCUMENTS

- D. 46,770 12/1914 Haase ..... D6/60
- D. 127,713 6/1941 Haase ..... D6/60

- D. 201,178 5/1965 Clarke ..... D6/60
- D. 237,434 11/1975 Le May, Jr. .... D6/60
- D. 237,568 11/1975 Nelson ..... D6/60 X
- D. 240,097 6/1976 Box ..... D6/60

Primary Examiner—Bruce W. Dunkins  
Attorney, Agent, or Firm—Fred L. Witherspoon, Jr.

[57] CLAIM

The ornamental design for a bench or similar article, as shown and described.

DESCRIPTION

FIG. 1 is a front perspective view of a bench or similar article showing my design and, FIG. 2 is an end view taken from the right of FIG. 1 and drawn on an enlarged scale.

The undisclosed rear portions are plain and unornamented.

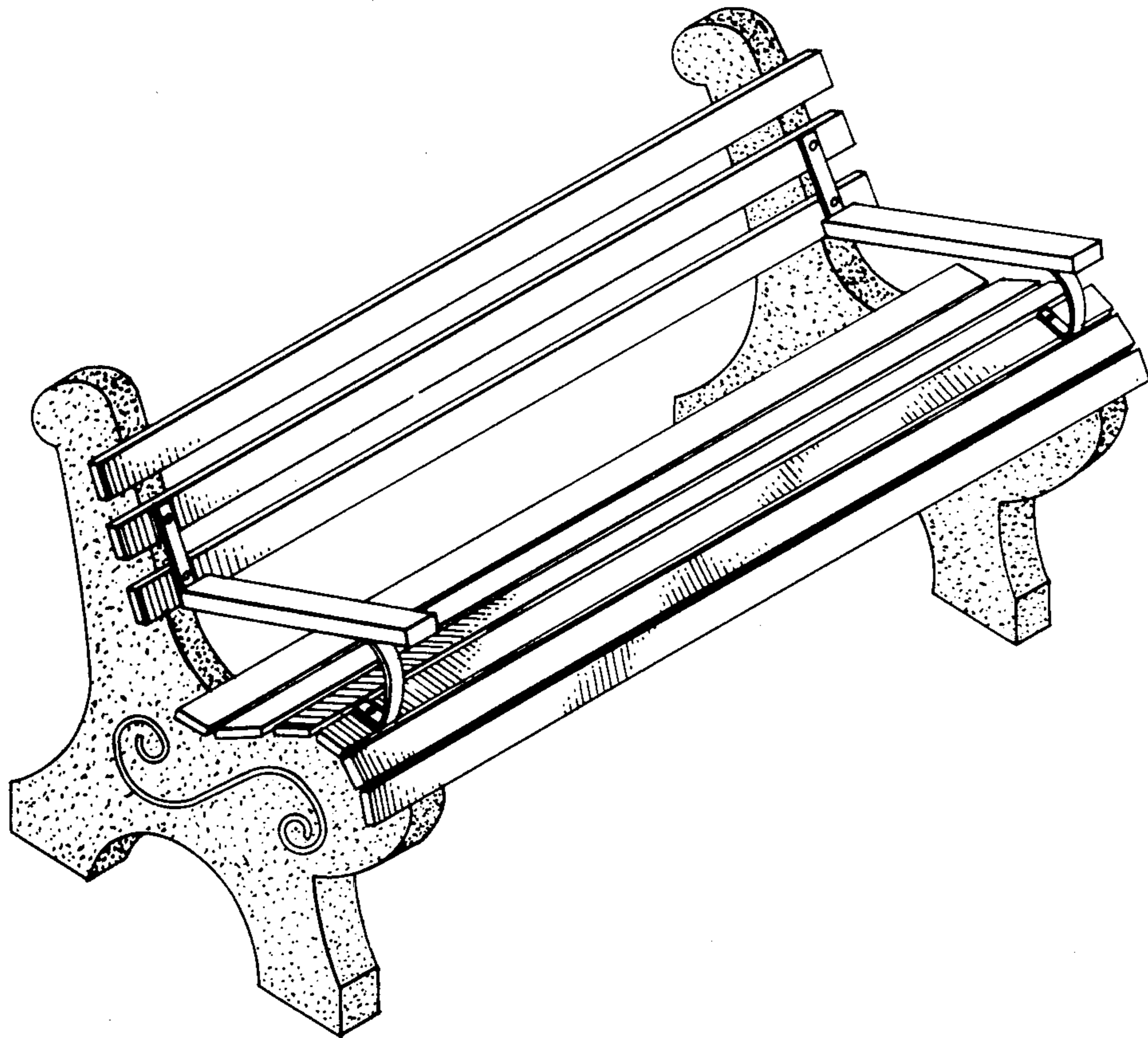


FIG. 1.

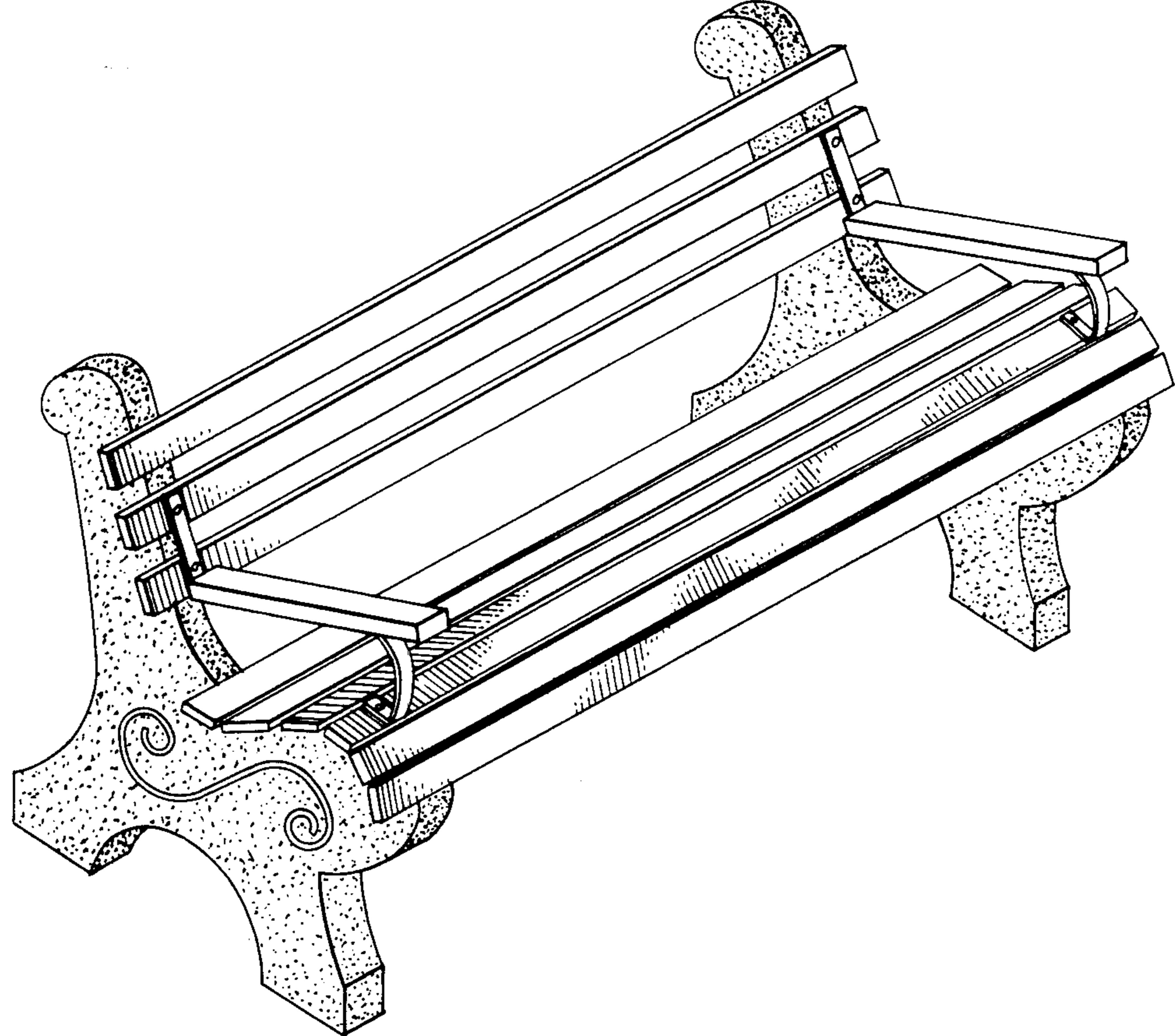


FIG. 2.

