

- [54] **PORTABLE ELECTROCARDIOGRAM MONITOR AND RECORDER**
- [75] Inventors: **David B. Smith**, Mercer Island; **Douglas J. Hill**, Renton, both of Wash.
- [73] Assignee: **Physio-Control Corporation**, Redmond, Wash.
- [**] Term: **14 Years**
- [21] Appl. No.: **720,118**
- [22] Filed: **Sept. 3, 1976**
- [51] Int. Cl. **D24—01; D24—02**
- [52] U.S. Cl. **D83/1 F**
- [58] Field of Search **128/2.06 R, 2.06 G; 346/1, 33 R, 134, 33 ME**

3,978,491	8/1976	Lenhart et al.	128/2.06 G
D. 228,471	9/1973	Harper	D83/1 F
D. 230,211	1/1974	Fuller	D83/1 F
D. 238,971	2/1976	Nardi et al.	D83/1 F

Primary Examiner—Bernard Ansher
Attorney, Agent, or Firm—Orland M. Christensen

[57] **CLAIM**

The ornamental design for a portable electrocardiogram monitor and recorder, as shown.

DESCRIPTION

FIG. 1 is a front perspective view of a portable EKG monitor and recorder showing our new design;
 FIG. 2 is a top plan view thereof;
 FIG. 3 is a right side elevational view thereof;
 FIG. 4 is a left side elevational view thereof;
 FIG. 5 is a front elevational view thereof;
 FIG. 6 is a rear elevational view thereof; and
 FIG. 7 is a bottom plan view thereof.

- [56] **References Cited**
- U.S. PATENT DOCUMENTS**
- 3,082,970 3/1963 Rasmussen 128/2.06 G

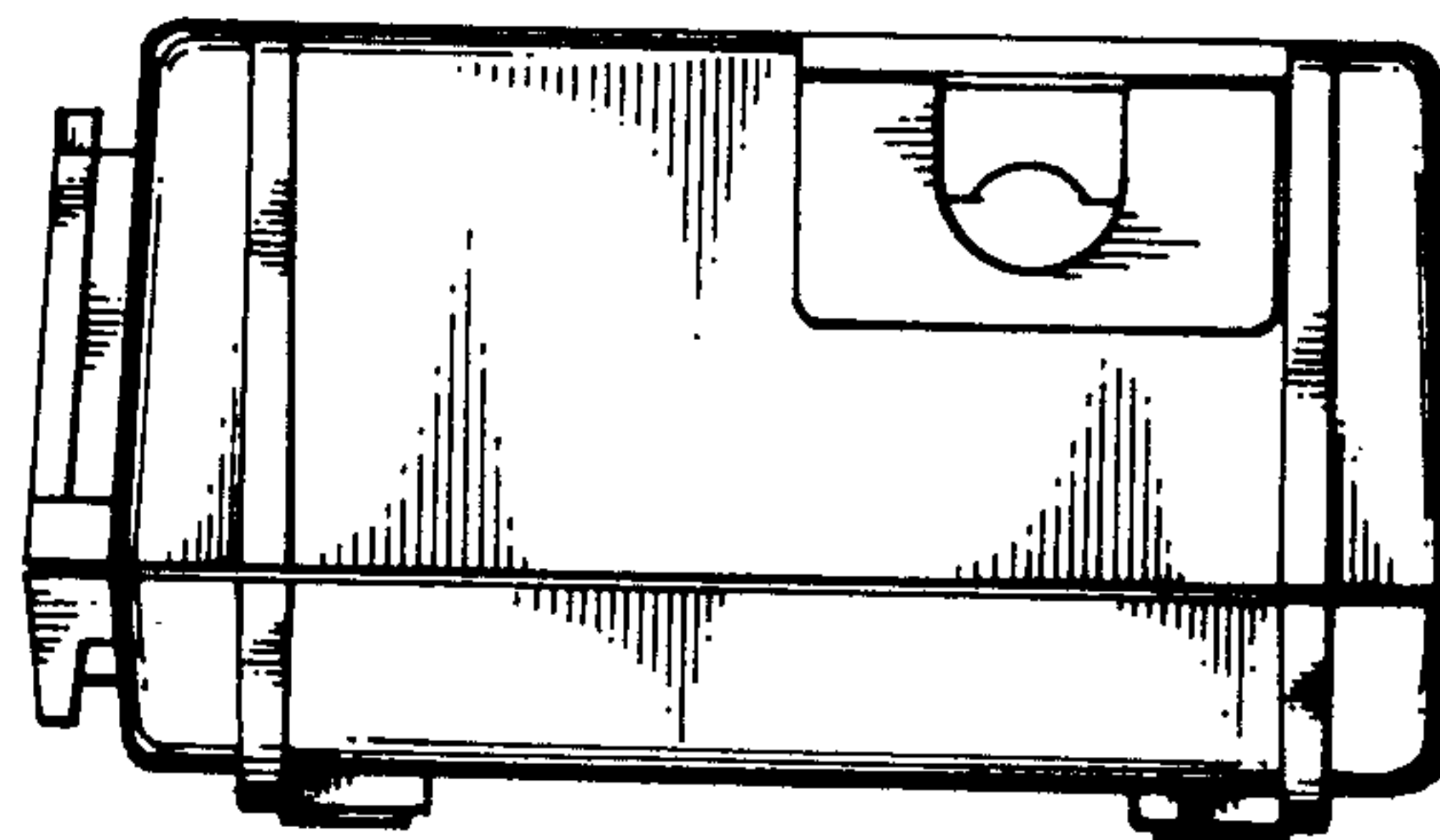
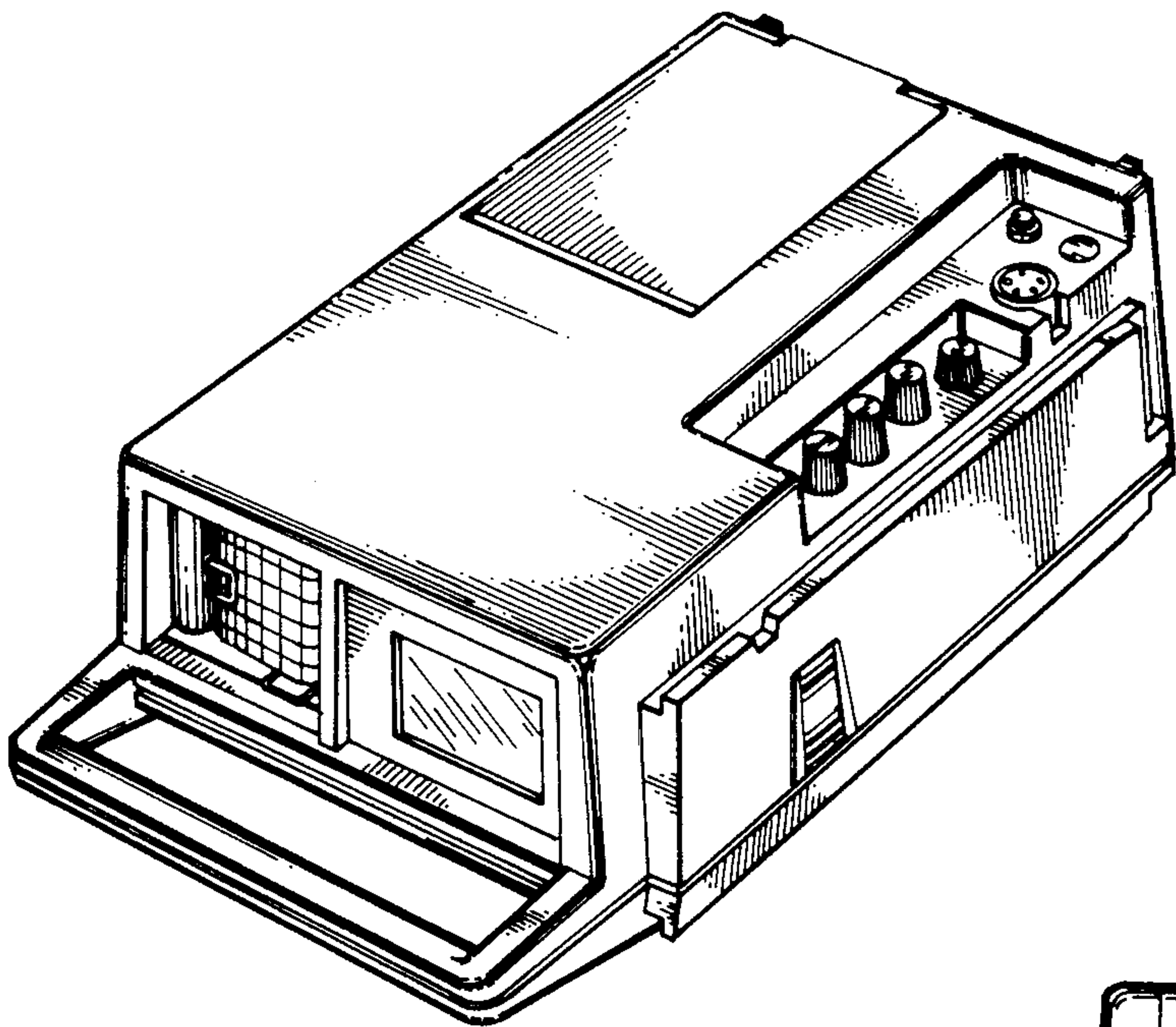


Fig. 1

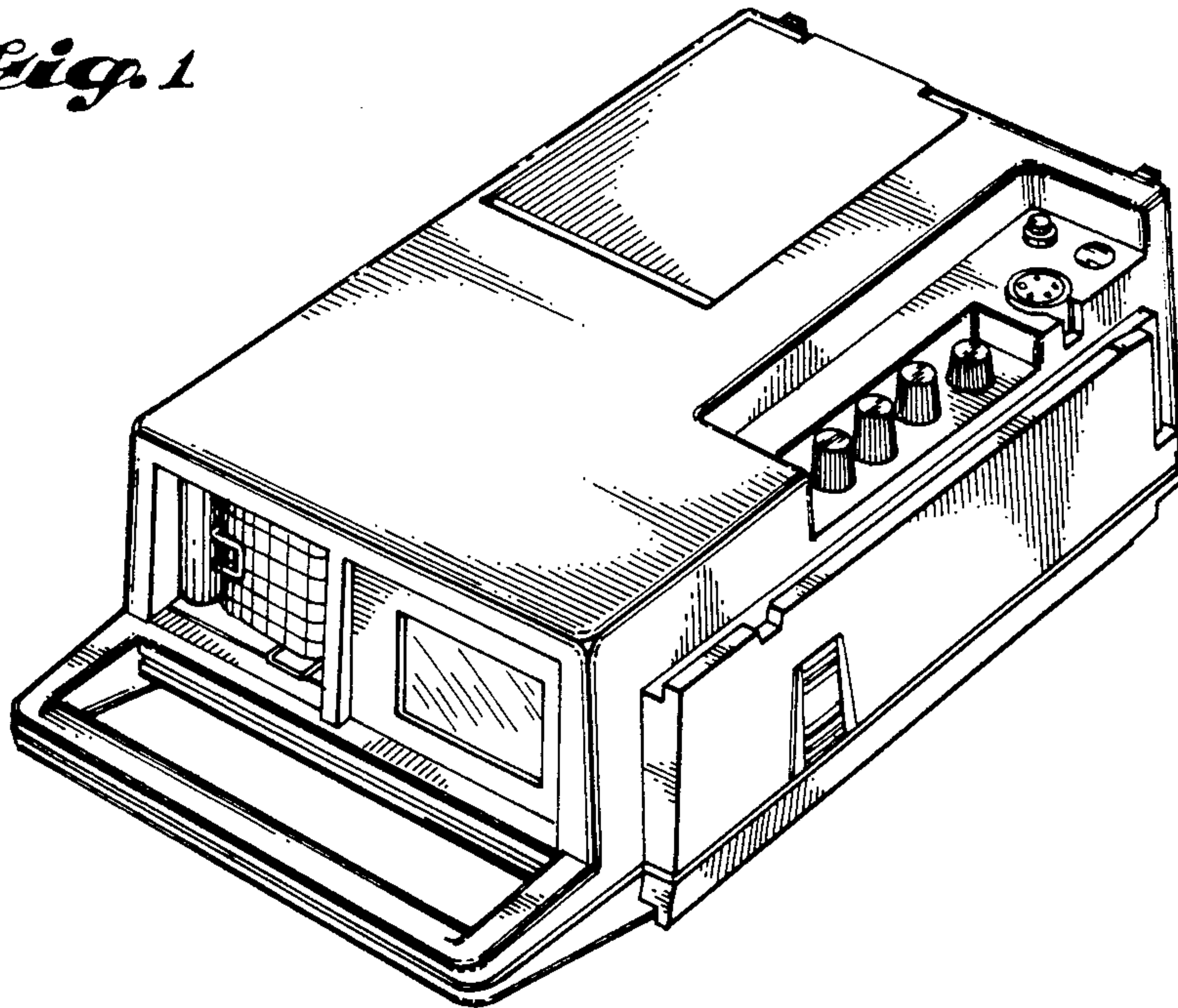


Fig. 2

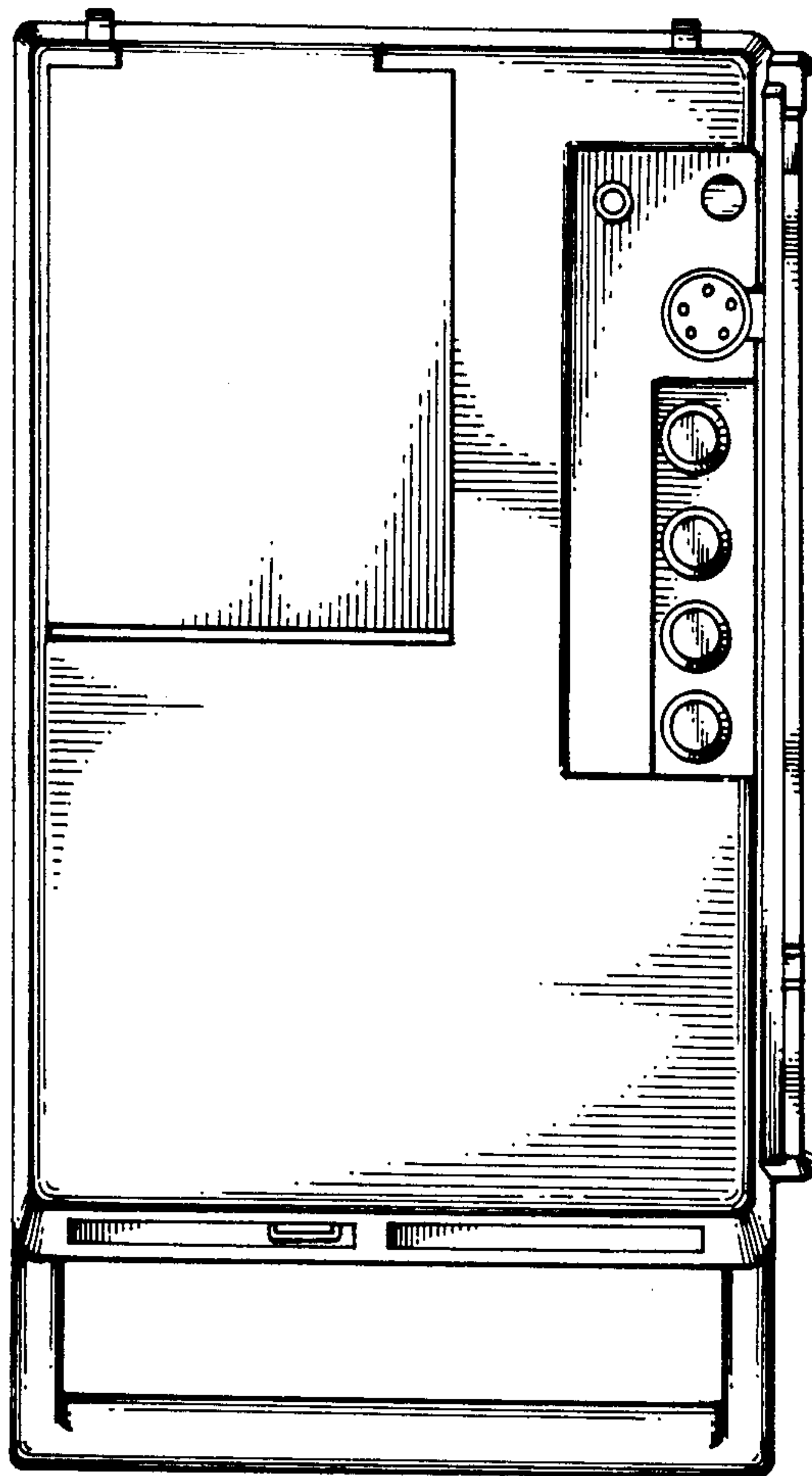


Fig. 3

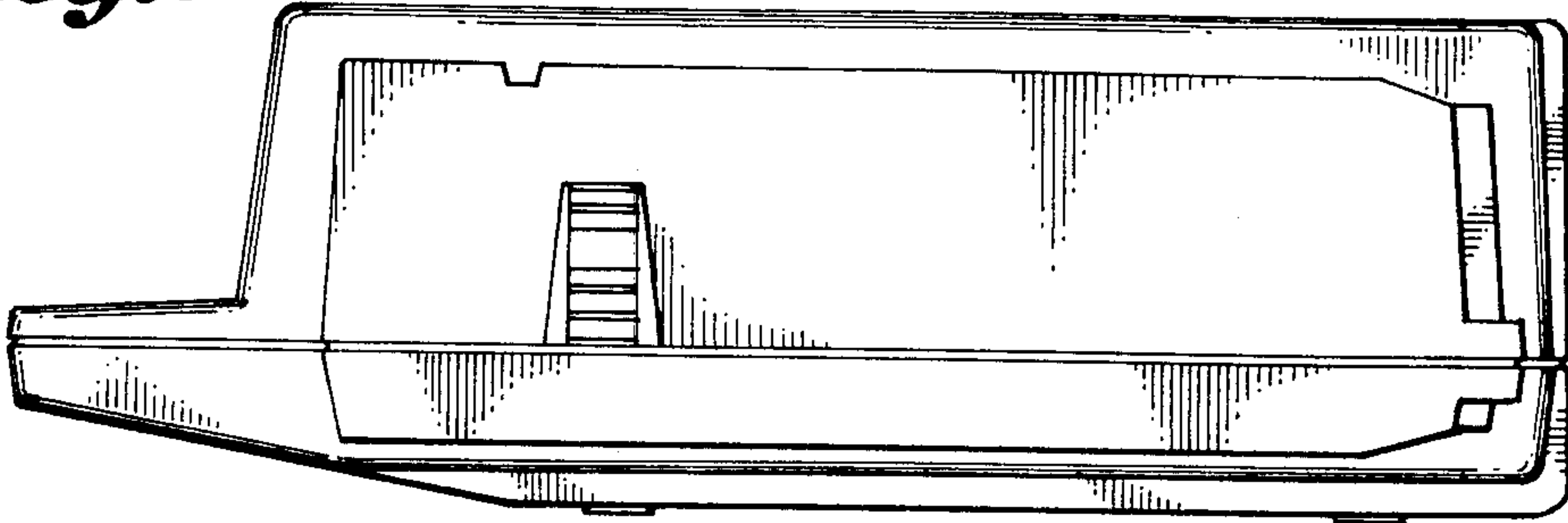


Fig. 4

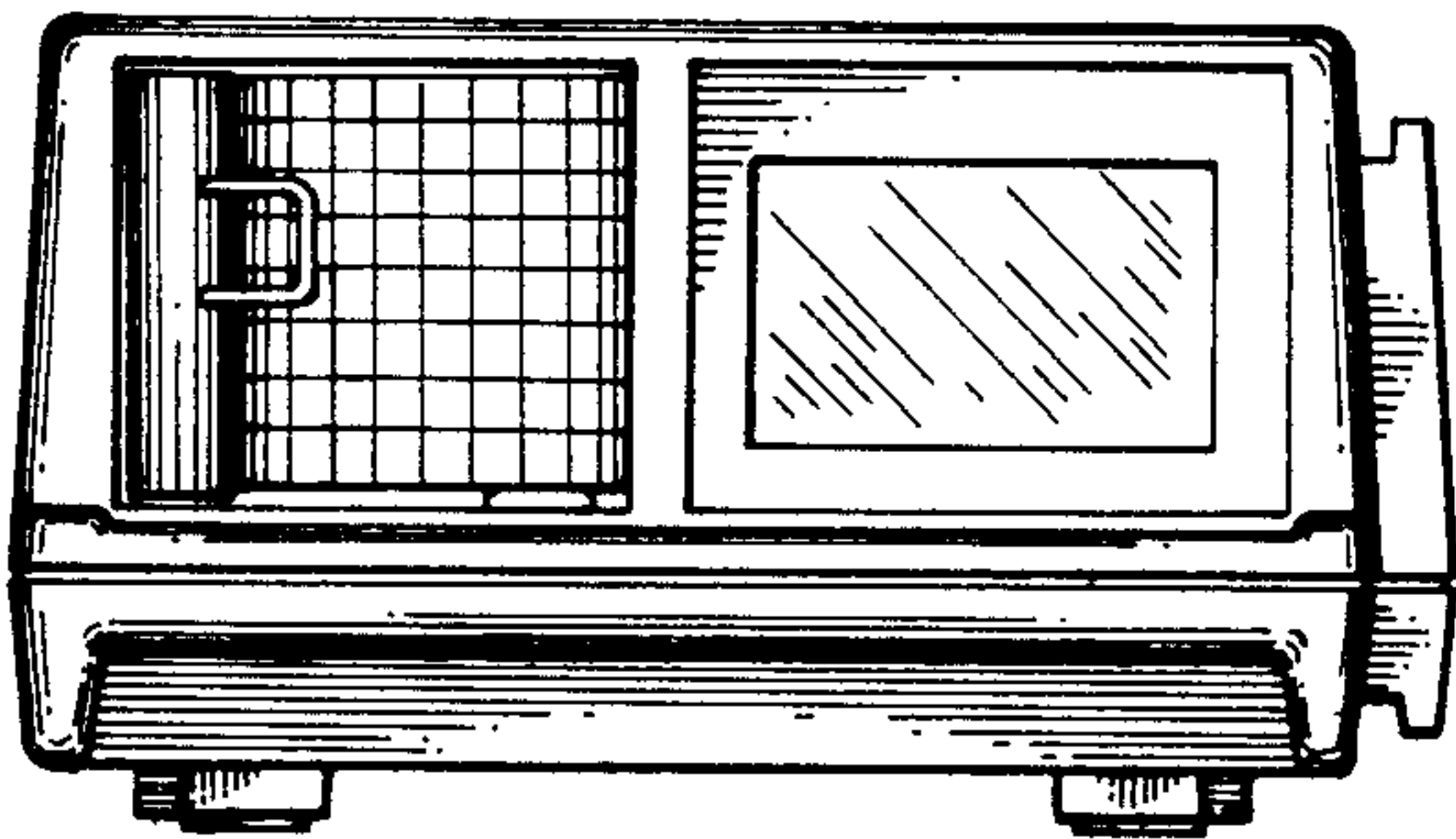
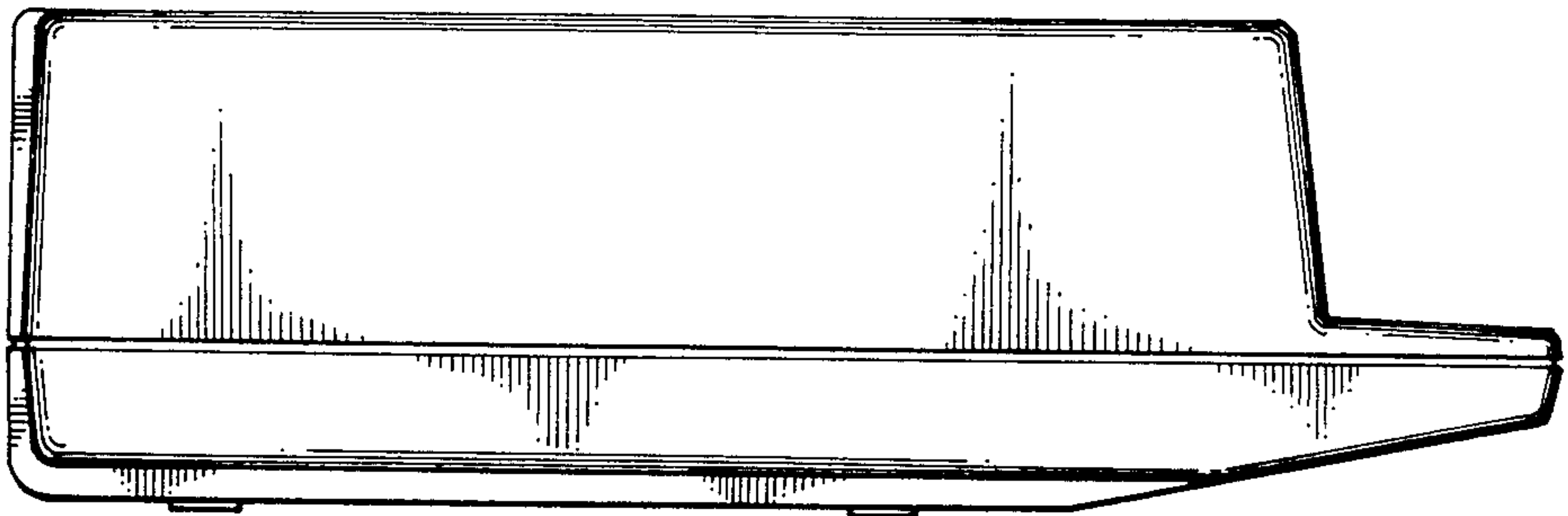


Fig. 5

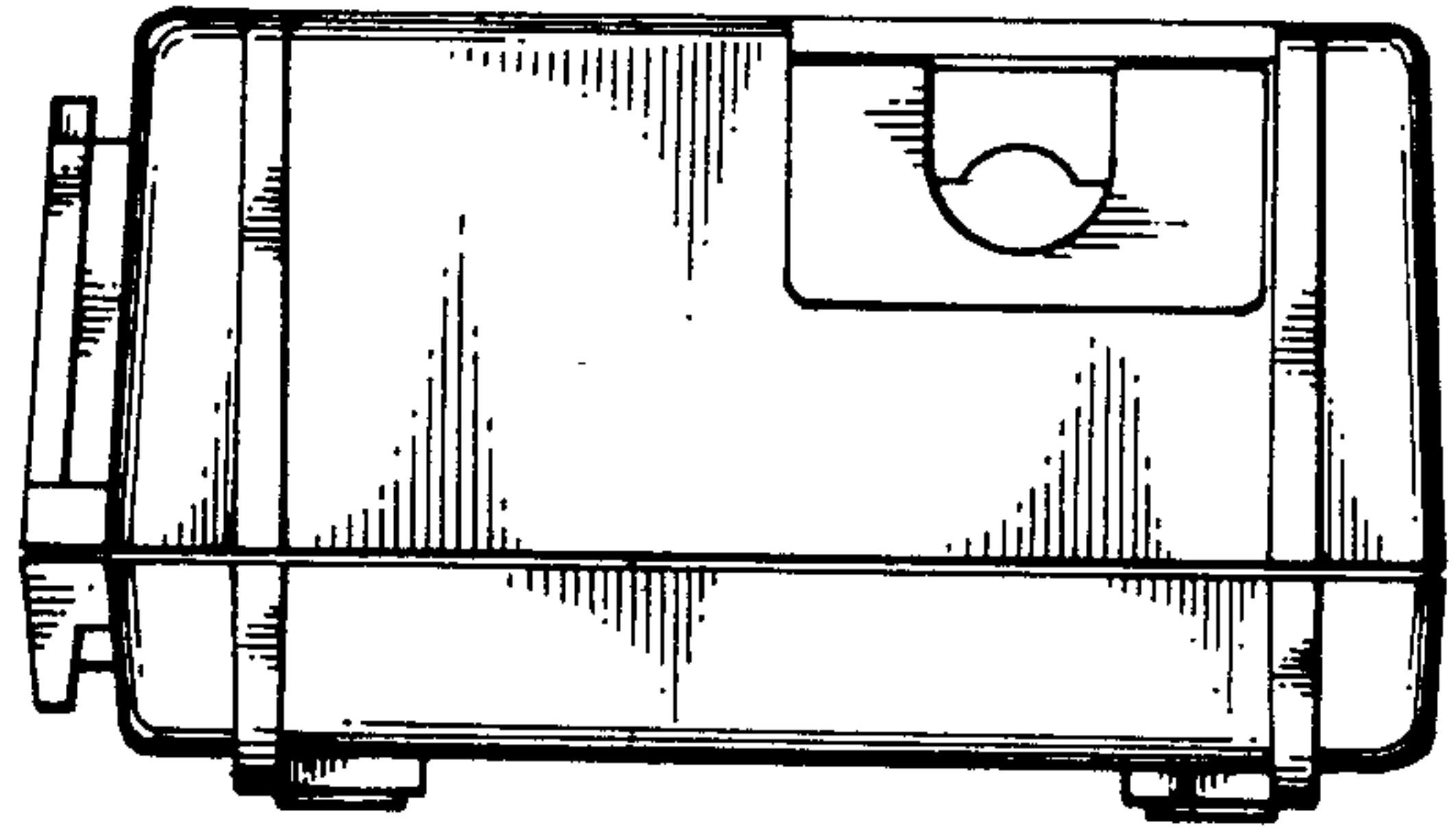


Fig. 6

Fig. 7

