

[54] PORTABLE DEFIBRILLATOR

[75] Inventors: David B. Smith, Mercer Island; James A. Benson, Bellevue; Paul W. Jones, Bothell, all of Wash.

[73] Assignee: Physio-Control Corporation, Redmond, Wash.

[\*\*] Term: 14 Years

[21] Appl. No.: 720,116

[22] Filed: Sept. 3, 1976

[51] Int. Cl. .... D24-01; D24-02

[52] U.S. Cl. .... D83/1 F

[58] Field of Search ..... 128/419 D, 2.06 E, 404, 128/2.05; D83/1 F

[56] References Cited

U.S. PATENT DOCUMENTS

3,196,877	7/1965	Corbin .....	D83/1 F
3,865,101	2/1975	Saper et al. ....	128/419 D
D. 229,638	12/1973	Kawaguchi .....	D83/1 F

OTHER PUBLICATIONS

Aloe Hosp. Cat. No. 230, c. 1966, p. 88, Synchronizer and DC/150 Defibrillator.

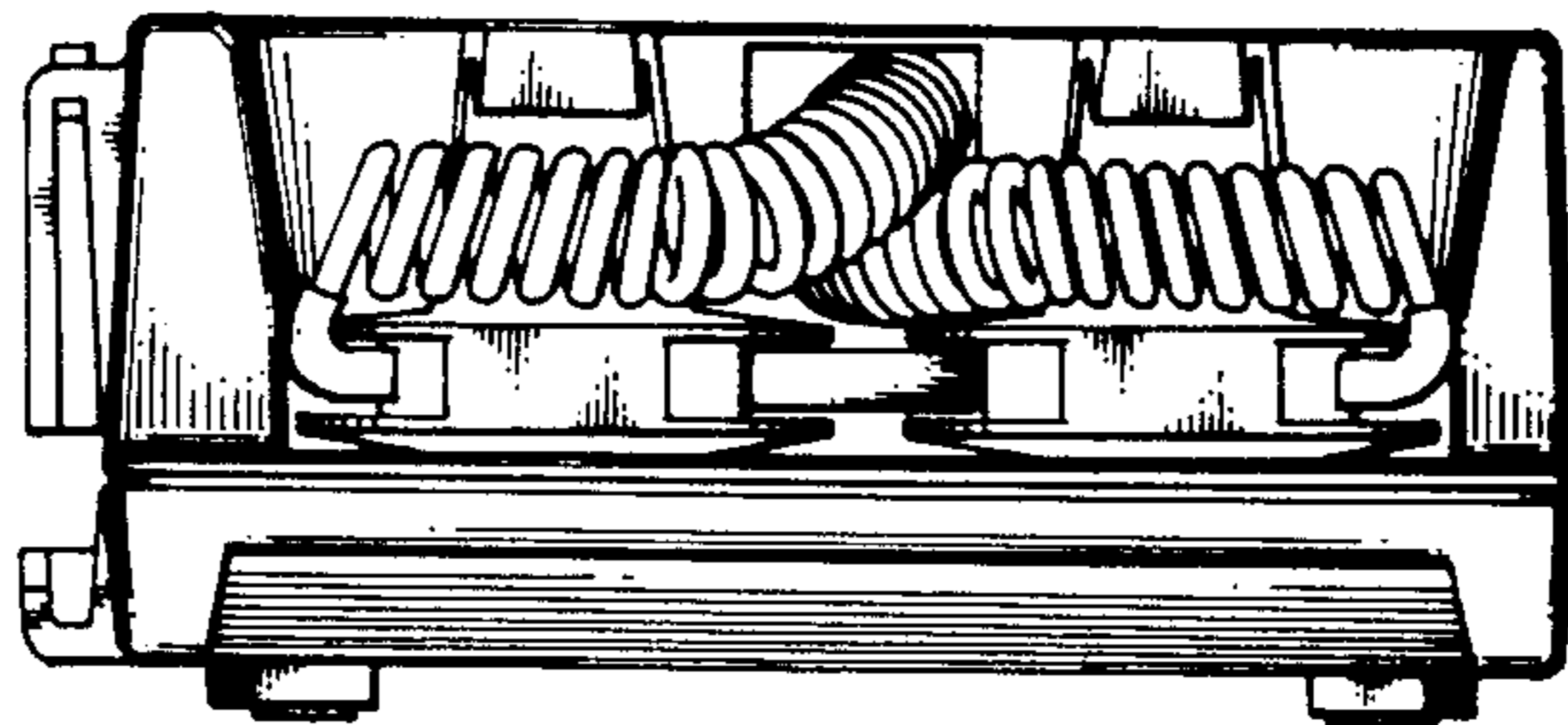
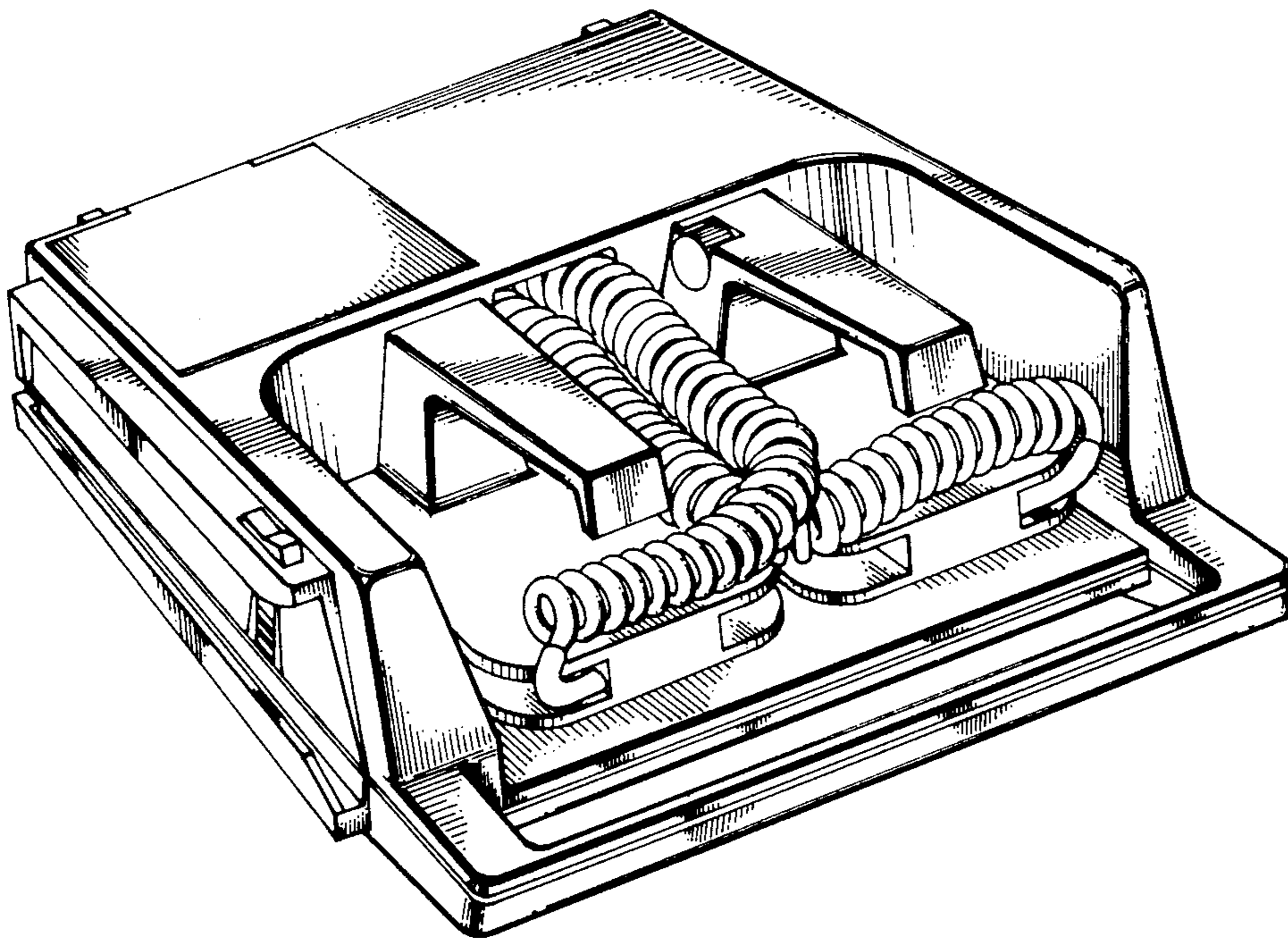
Primary Examiner—Bernard Ansher  
Attorney, Agent, or Firm—Orland M. Christensen

[57] CLAIM

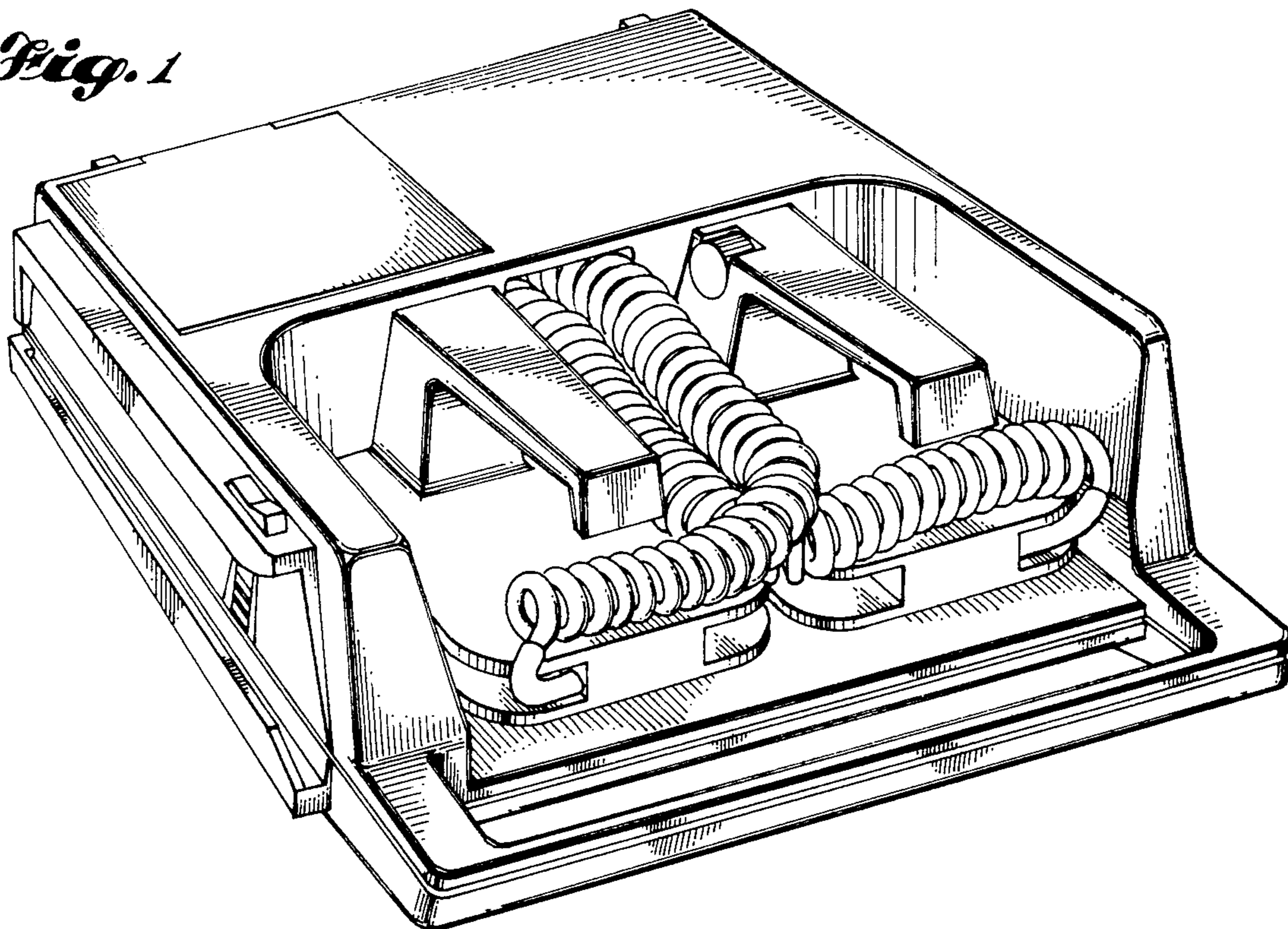
The ornamental design for a portable defibrillator, as shown.

DESCRIPTION

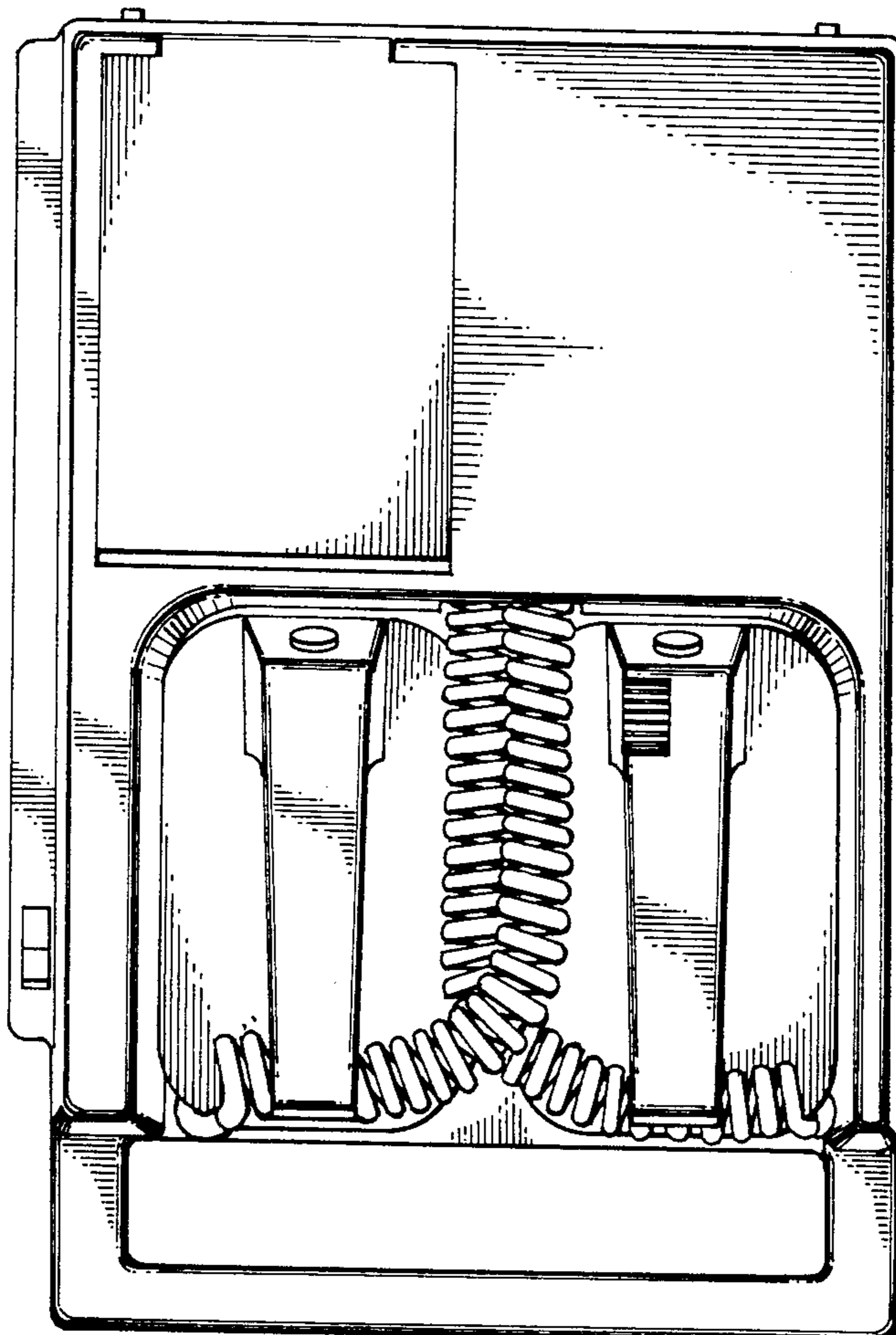
FIG. 1 is a front perspective view of a portable defibrillator showing our new design; FIG. 2 is a top plan view thereof; FIG. 3 is a front elevational view thereof; FIG. 4 is a right side elevational view thereof; FIG. 5 is a left side elevational view thereof; FIG. 6 is a rear elevational view thereof; and FIG. 7 is a bottom plan view thereof;



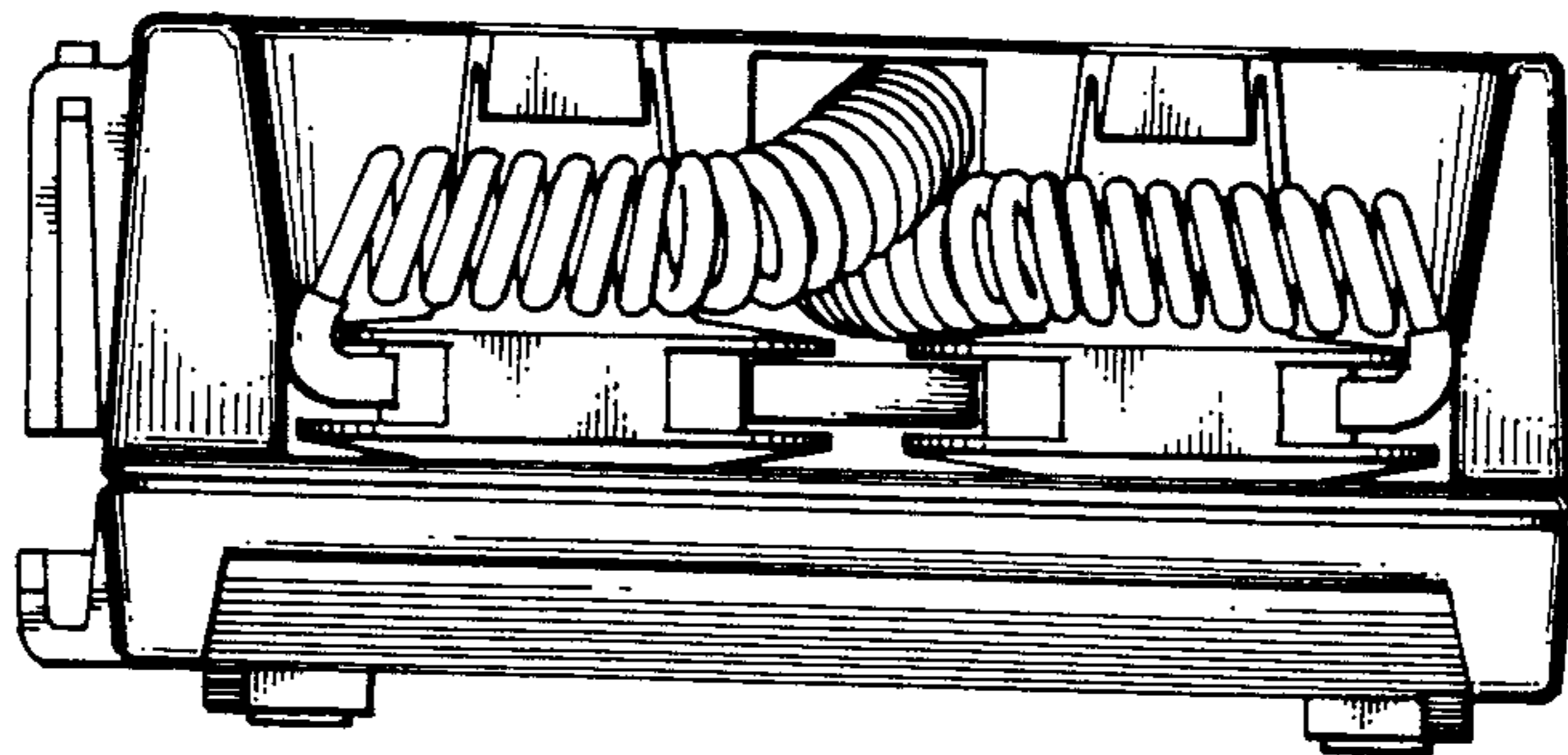
*Fig. 1*



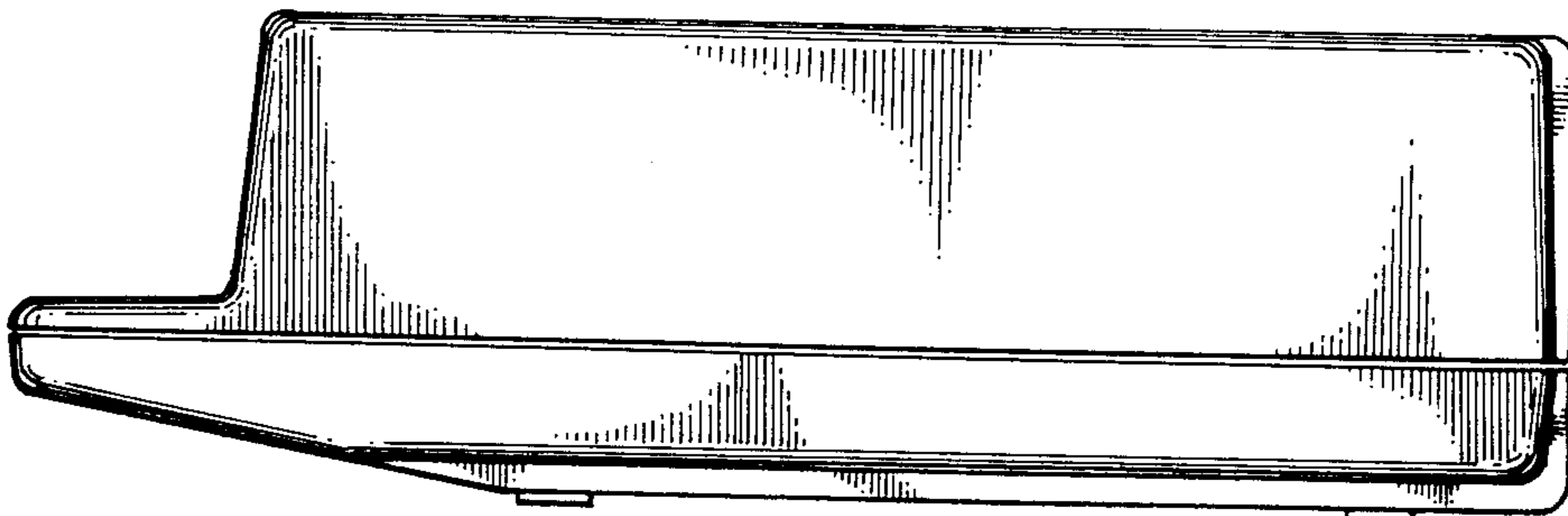
*Fig. 2*



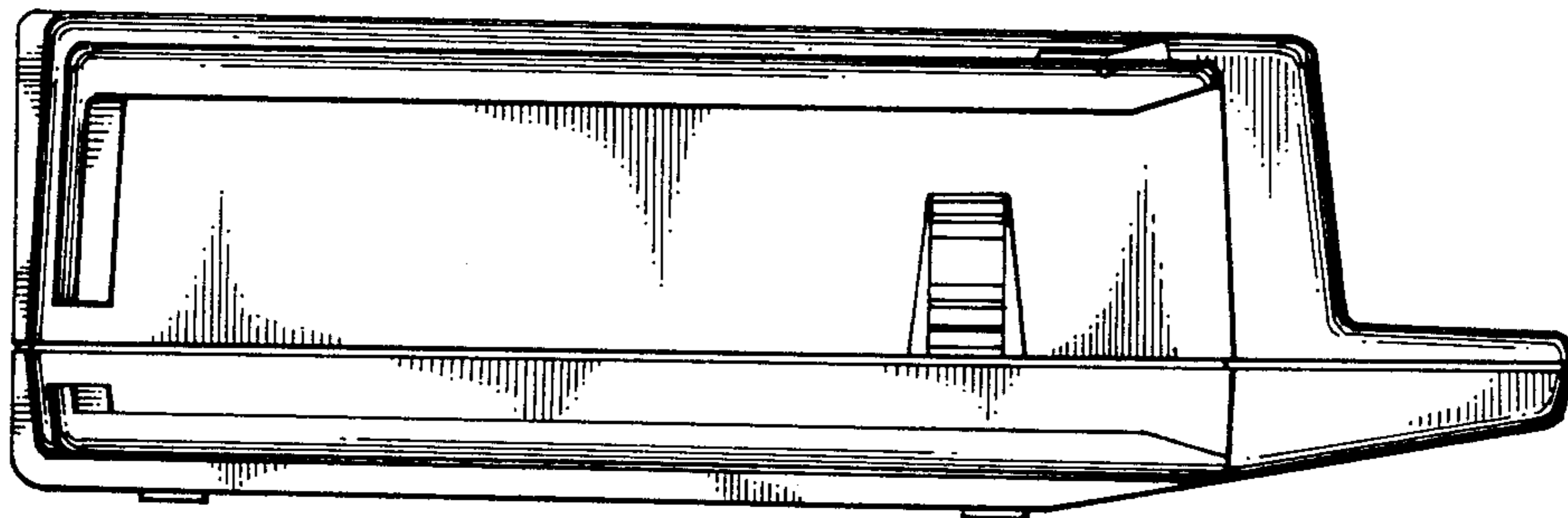
*Fig. 3*



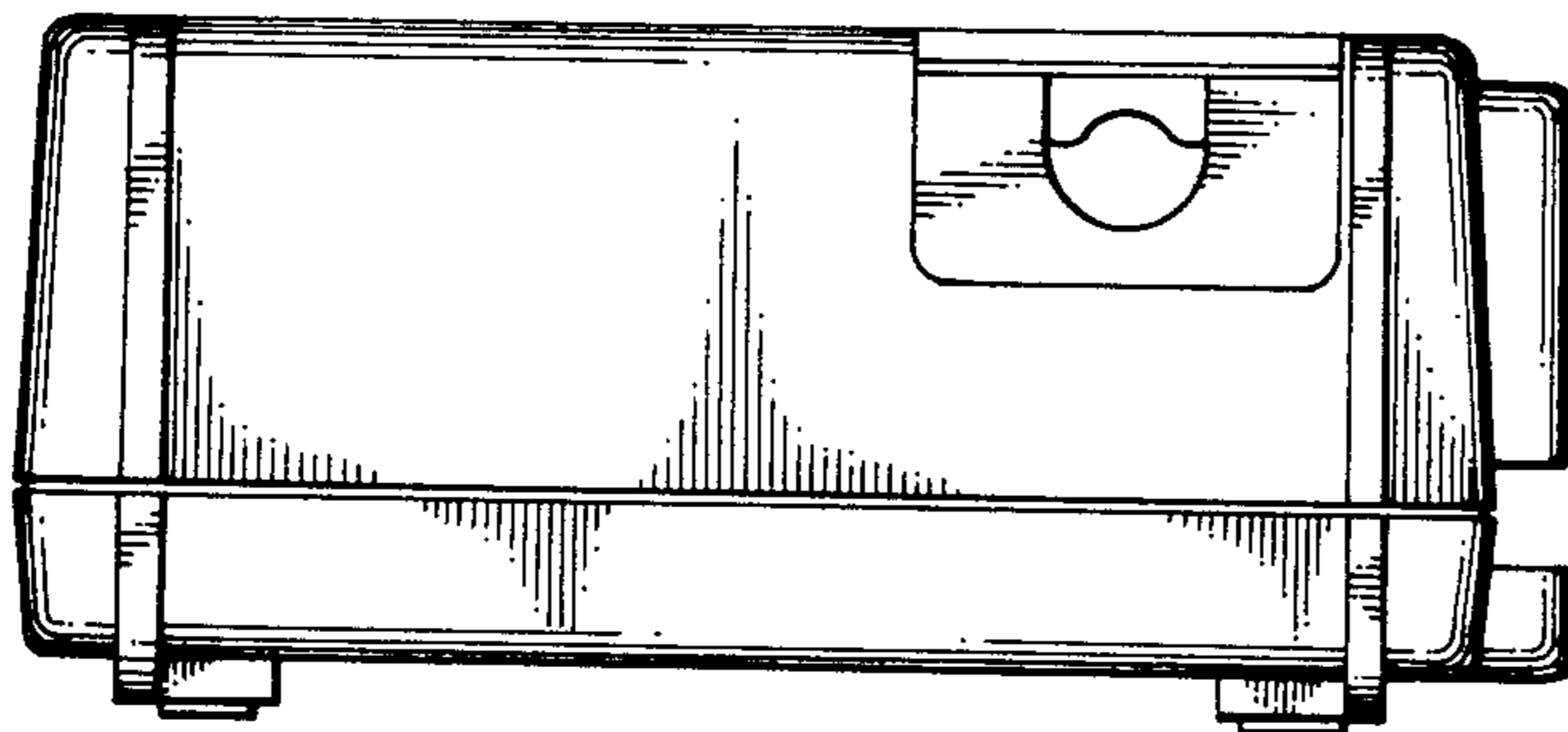
*Fig. 4*



*Fig. 5*



*Fig. 6*



*Fig. 7*

