

[54] CASH REGISTER

[75] Inventor: James M. Rittenhouse, Watchung, N.J.

[73] Assignee: Sweda International, Inc.

[**] Term: 14 Years

[21] Appl. No.: 597,193

[22] Filed: July 18, 1975

[51] Int. Cl. D20-01

[52] U.S. Cl. D52/4 A

[58] Field of Search D52/4 A; 235/1 D

[56] References Cited

U.S. PATENT DOCUMENTS

D. 220,538 4/1971 Stoltz D52/4 A

D. 233,062 10/1974 Maeda D52/4 A
D. 235,802 7/1975 Stoltz D52/4 A

Primary Examiner—Nelson C. Holtje
Attorney, Agent, or Firm—Norman Friedman

[57] CLAIM

The ornamental design for a cash register, as shown and described.

DESCRIPTION

FIG. 1 is a top right front perspective view of a cash register showing my new design.
FIG. 2 is a left side elevation view thereof;
FIG. 3 is a right side elevation view thereof; and
FIG. 4 is a rear elevation view thereof.

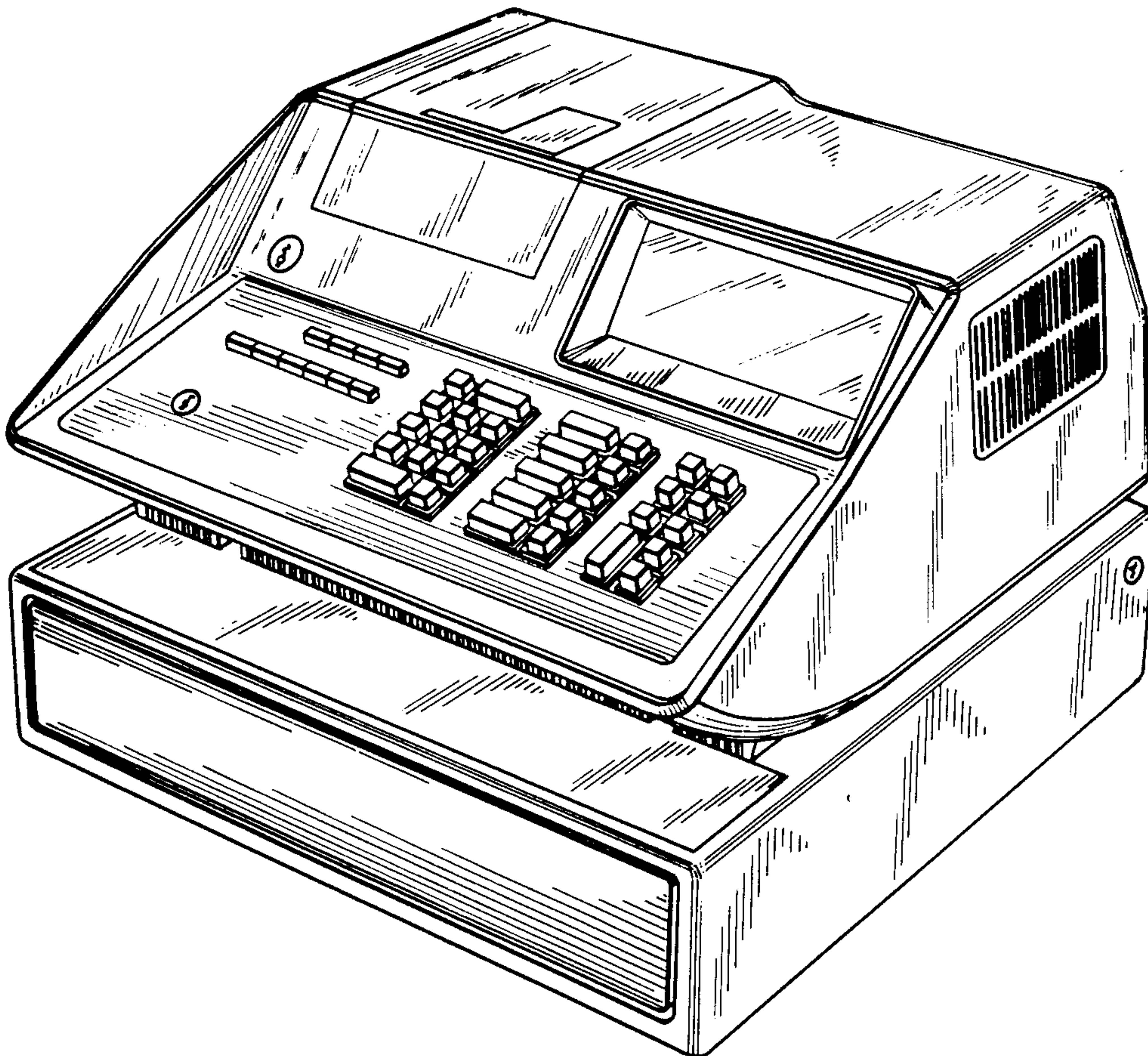


FIG. 1

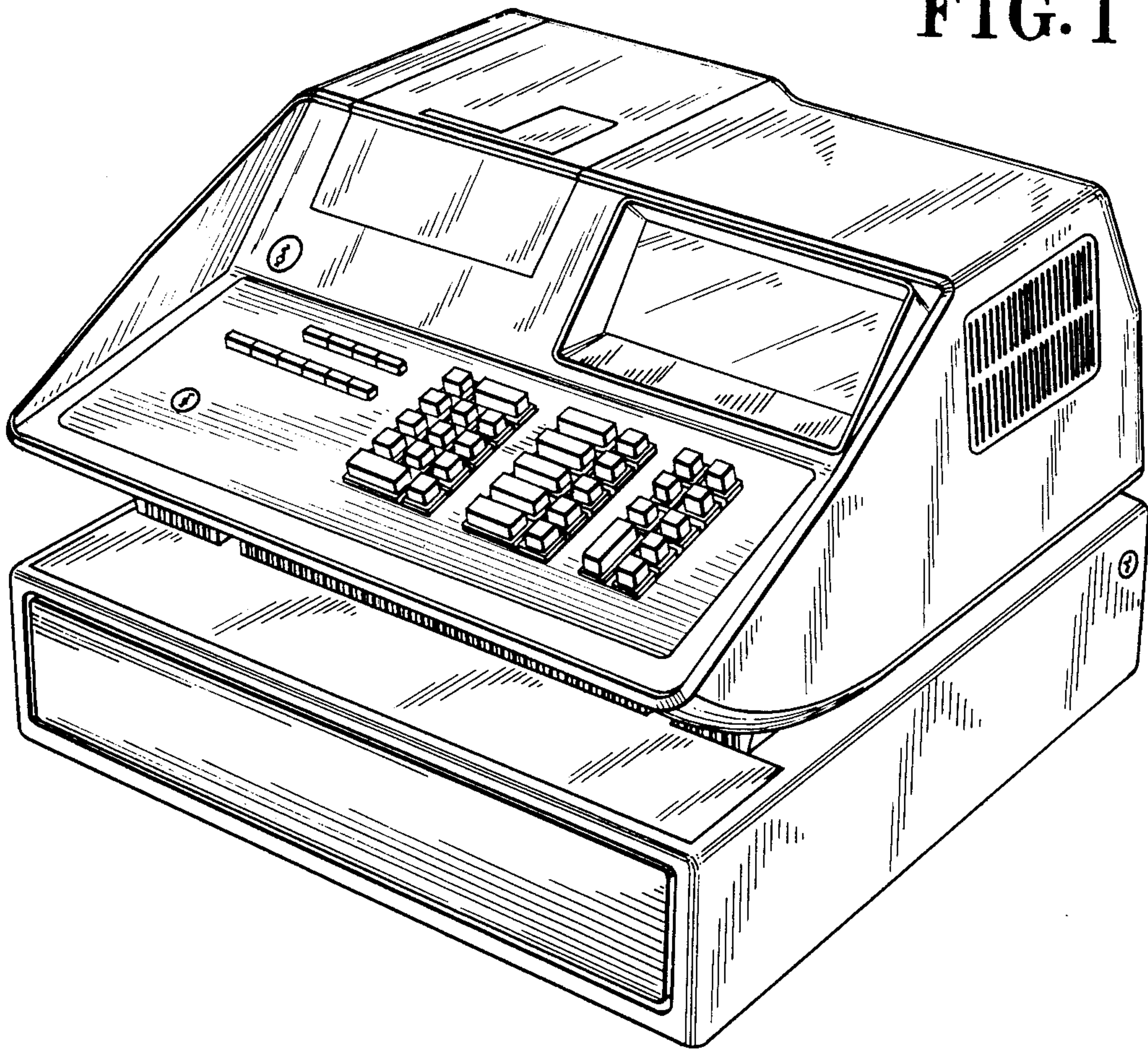


FIG. 2

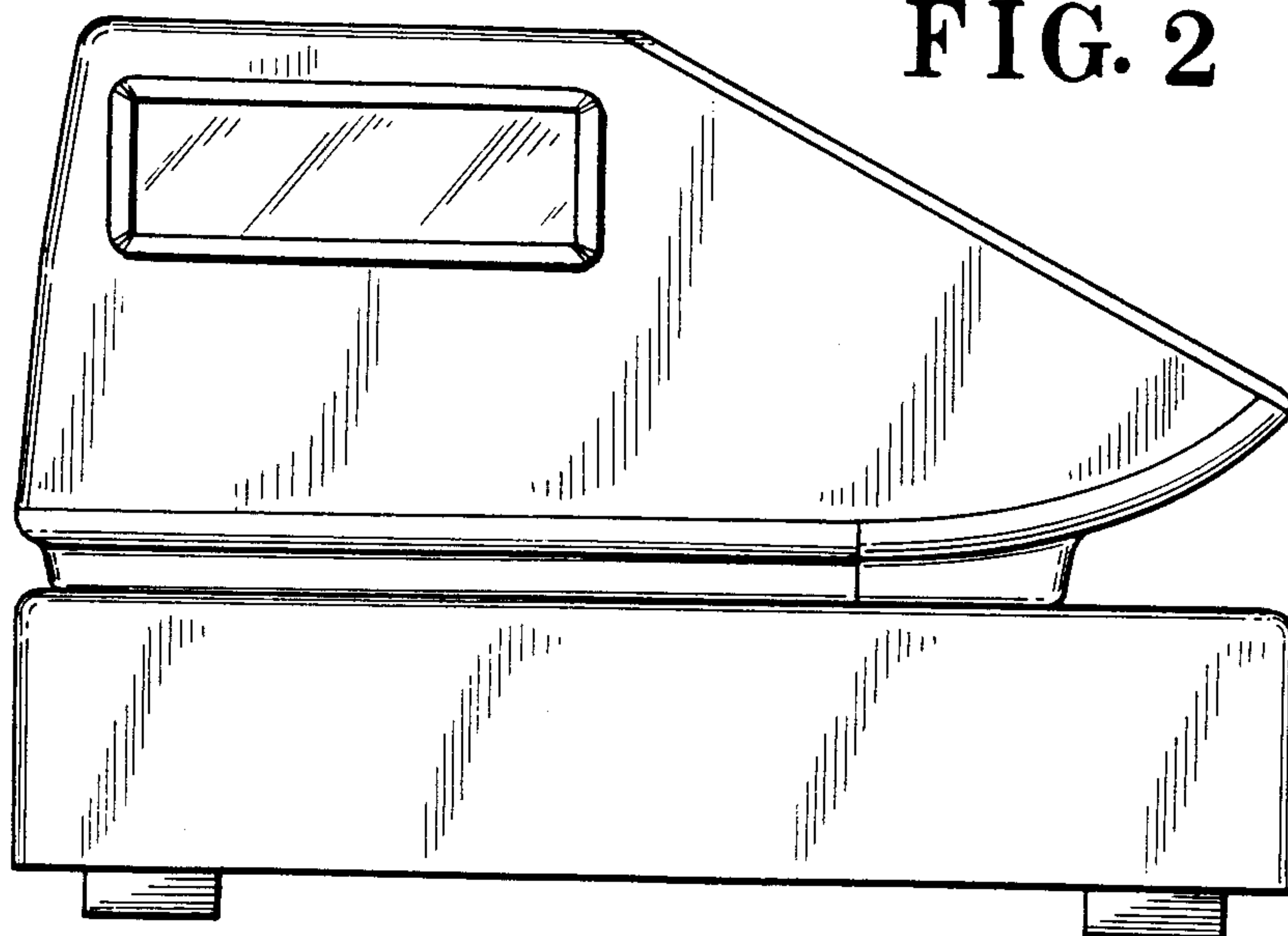


FIG. 3

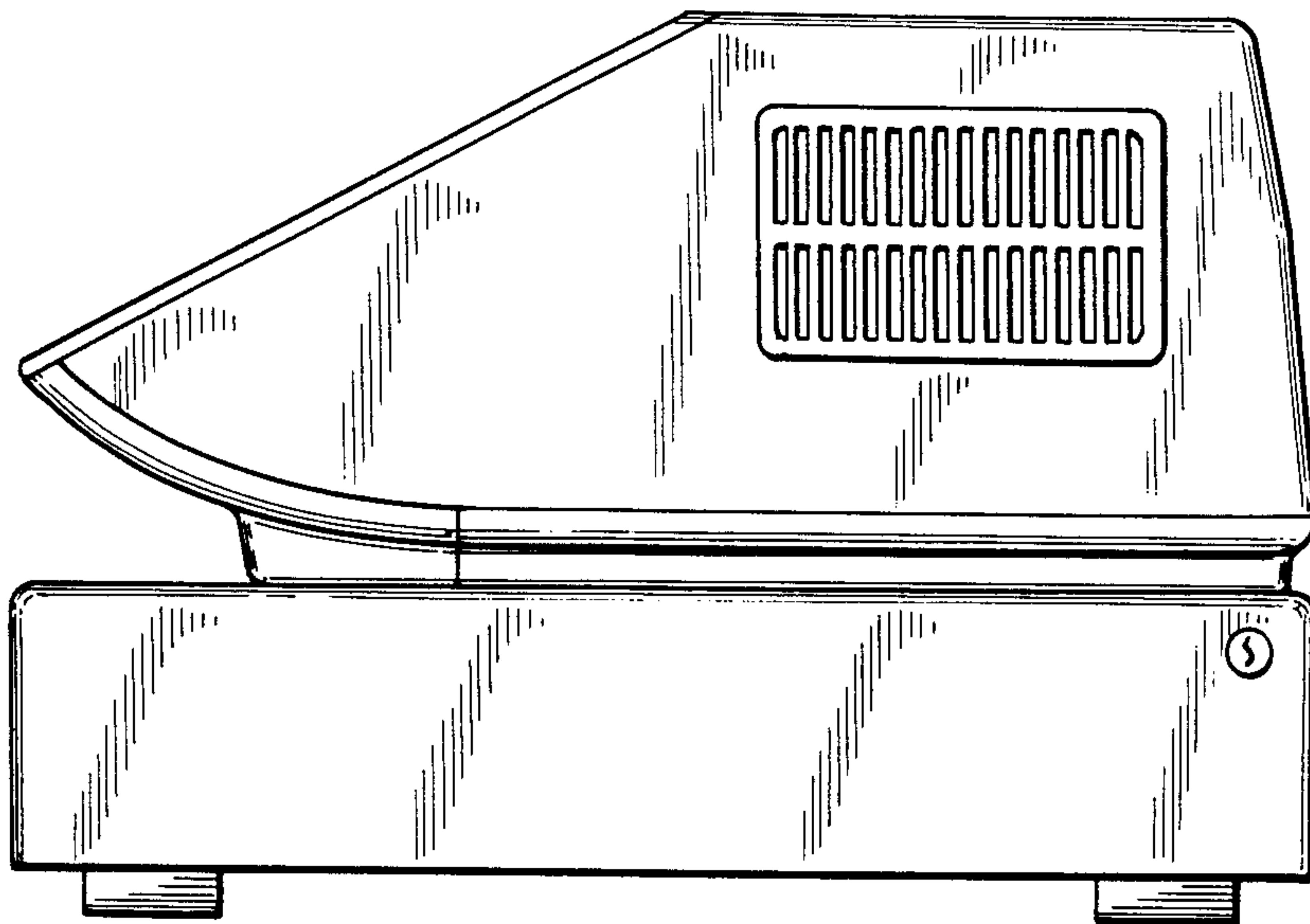


FIG. 4

