

[54] **AQUARIUM**  
[76] Inventor: **Luc Chapleau**, 3151 Liebert St.,  
Montreal, Quebec, Canada  
[\*\*] Term: **7 Years**  
[21] Appl. No.: **698,475**  
[22] Filed: **June 21, 1976**  
[51] Int. Cl. .... **D30-02**  
[52] U.S. Cl. .... **D30/8**  
[58] Field of Search ..... **D30/1-12;**  
119/185

D. 134,689 12/1942 Waltman ..... D30/11  
D. 236,839 9/1975 Polli ..... D30/8  
D. 237,729 11/1975 Coppa ..... D30/8

*Primary Examiner*—James R. Largen  
*Attorney, Agent, or Firm*—Raymond A. Robic

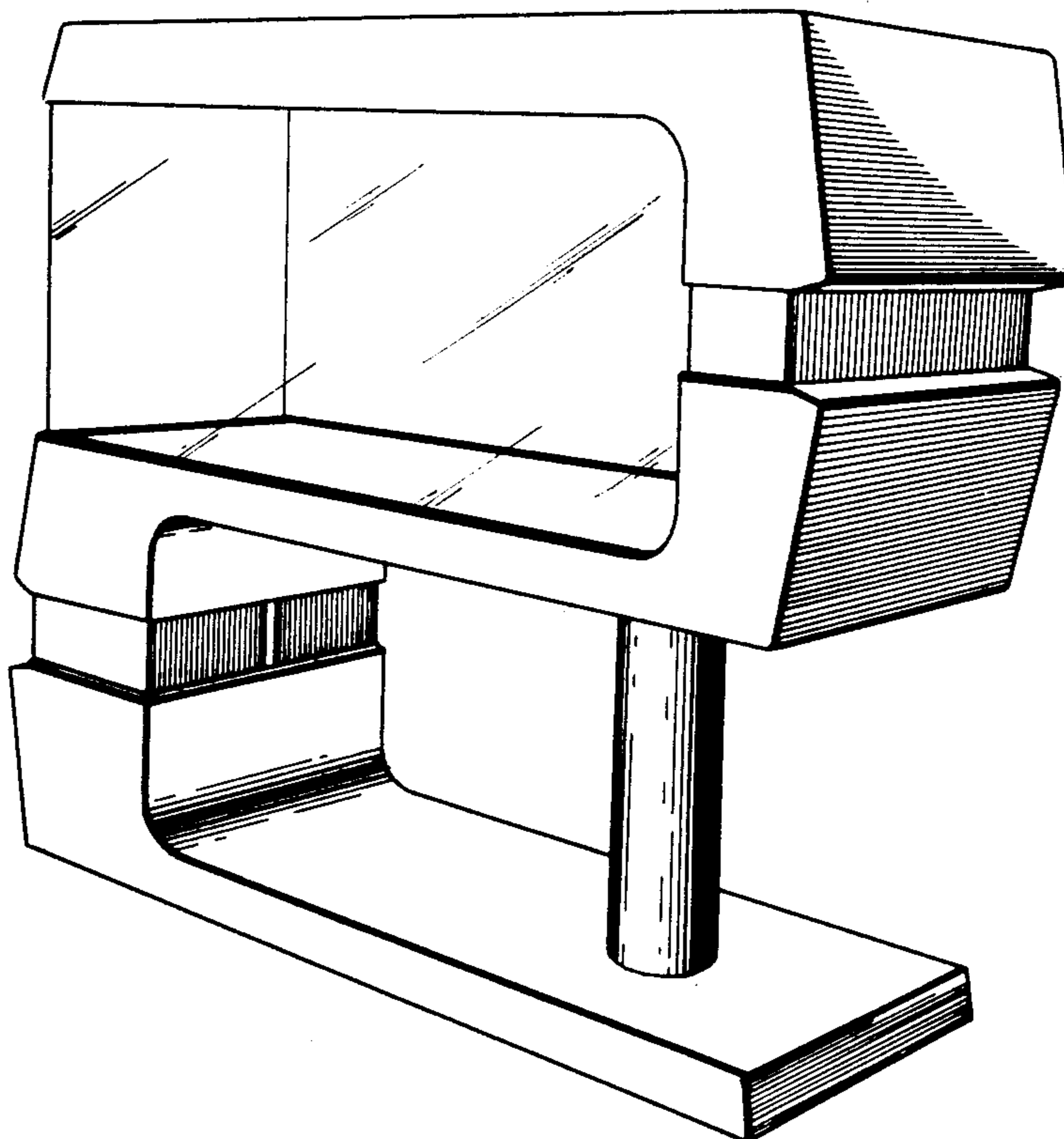
[57] **CLAIM**

The ornamental design for an aquarium, substantially as shown.

**DESCRIPTION**

FIG. 1 is a perspective view taken from the front and right side of an aquarium showing my new design; FIG. 2 is a perspective view taken from the front and left side thereof; FIG. 3 is a rear elevational view thereof; FIG. 4 is a left side elevational view thereof; and FIG. 5 is a right side elevational view thereof.

[56] **References Cited**  
**U.S. PATENT DOCUMENTS**  
3,232,271 2/1966 Jose et al. .... D30/8 UX  
3,324,829 6/1967 Jose et al. .... D30/8 UX  
D. 117,704 11/1939 Zenzen ..... D30/11  
D. 134,688 12/1942 Waltman ..... D30/11



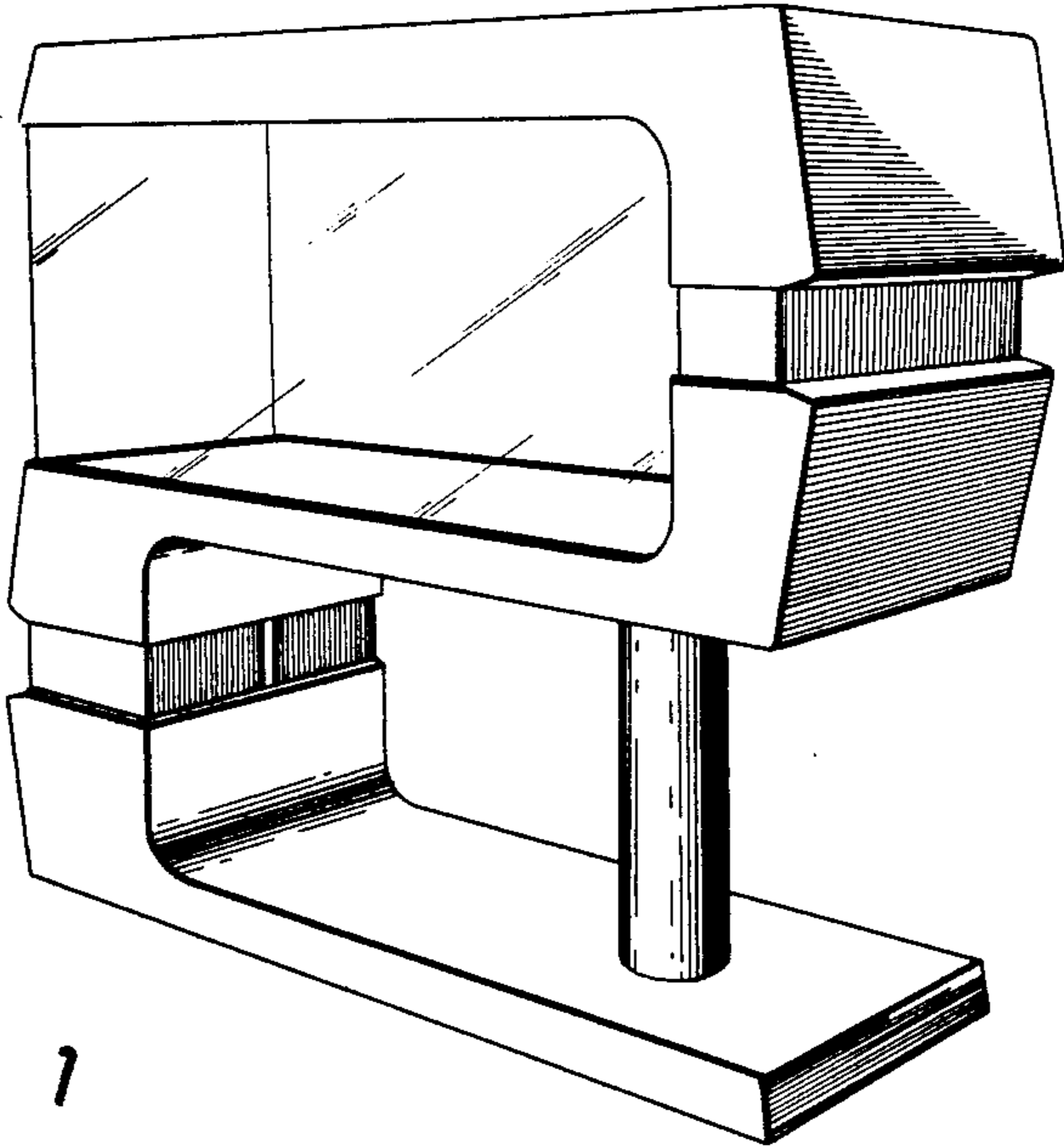


Fig. 1

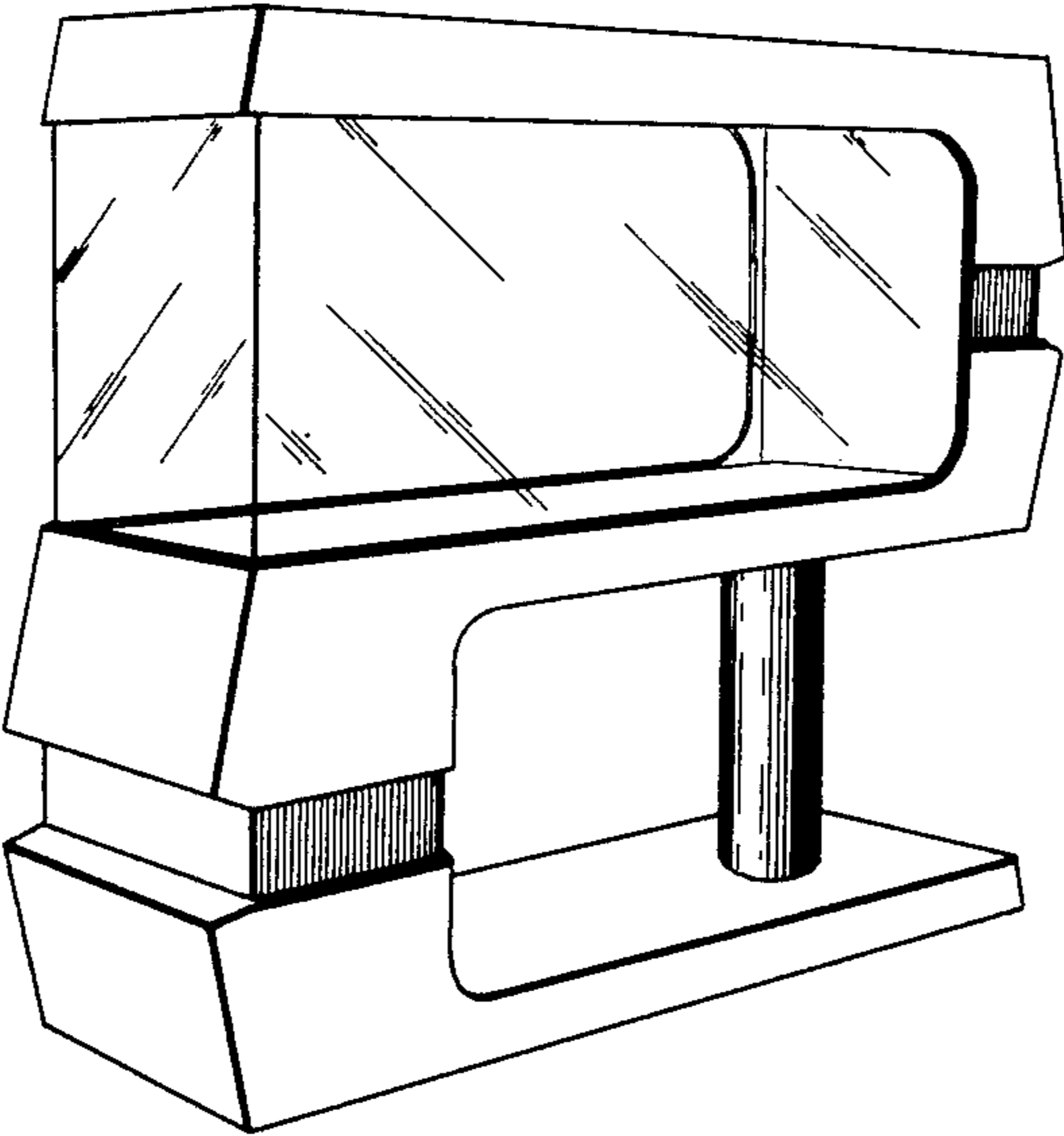


Fig. 2

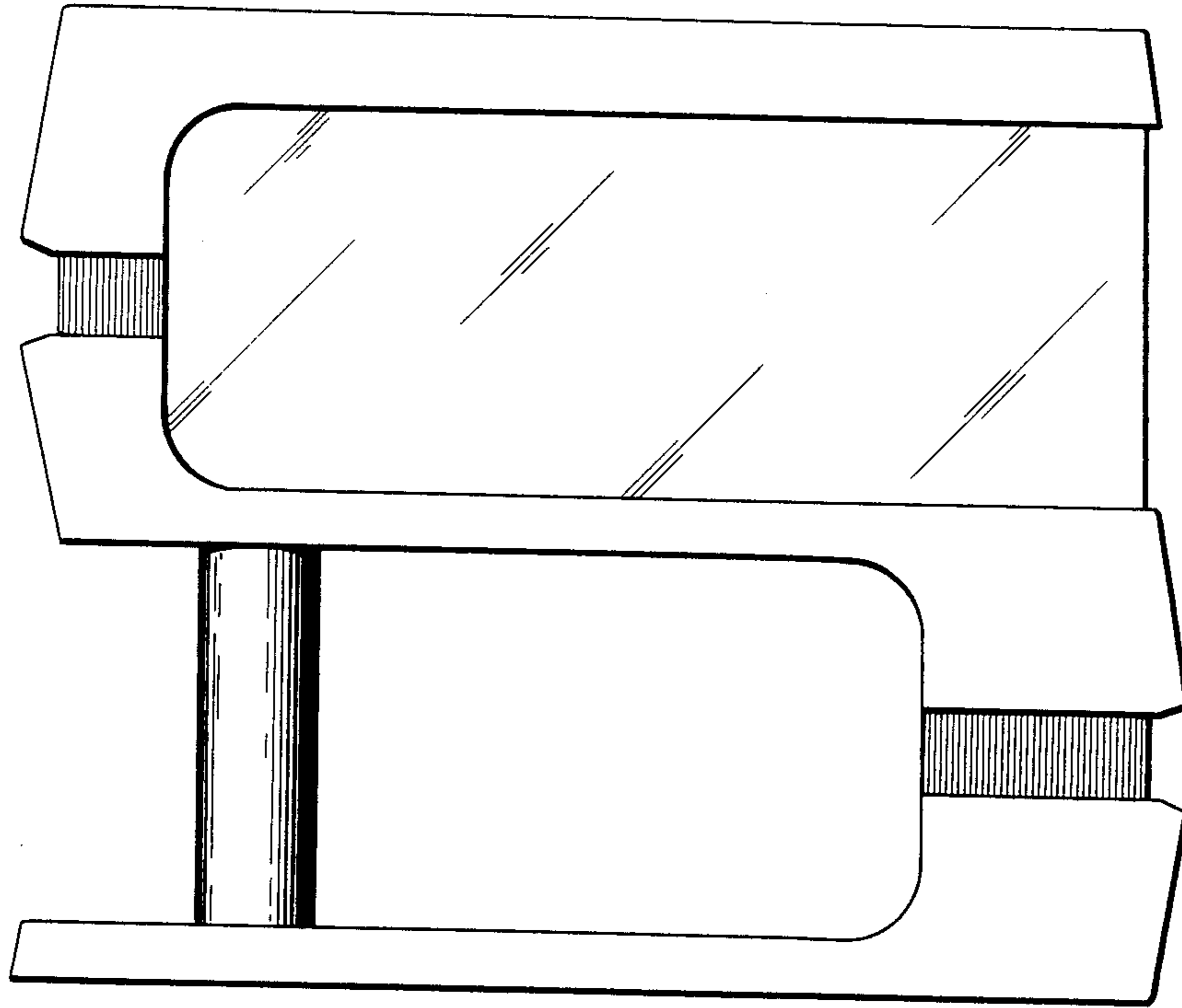


Fig. 3

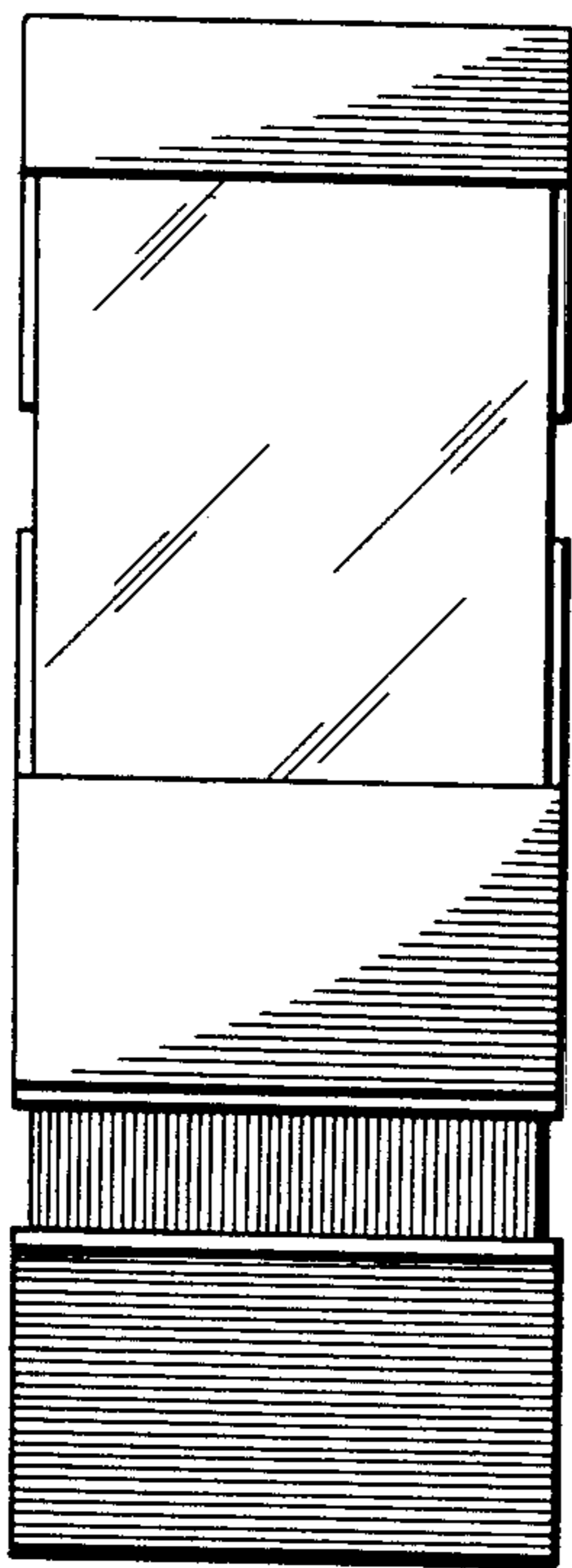


Fig. 4

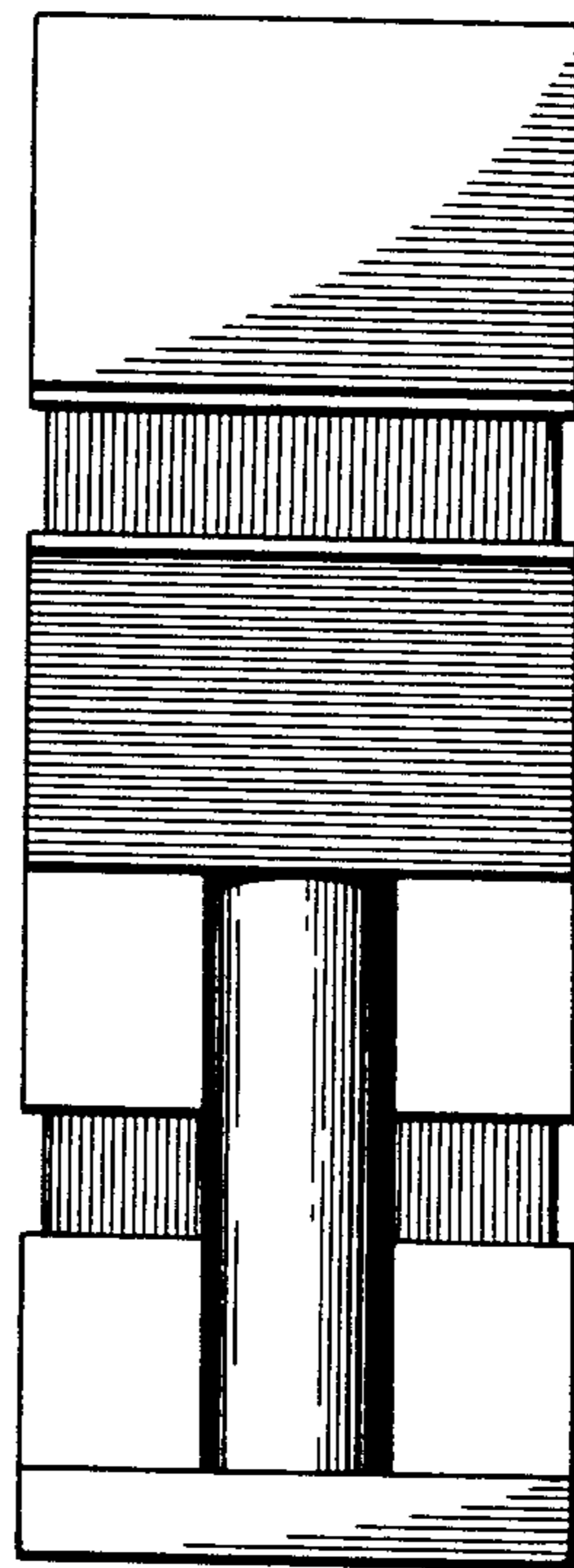


Fig. 5