

[54] STOVE

[75] Inventor: Carrol E. Buckner, Weaverville, N.C.

[73] Assignee: Smoky Mountain Enterprises, Asheville, N.C.

[**] Term: 14 Years

[21] Appl. No.: 675,413

[22] Filed: Apr. 9, 1976

[51] Int. Cl. D23-03

[52] U.S. Cl. D23/107

[58] Field of Search D23/72-122;
126/65, 120, 121, 123

[56] References Cited

U.S. PATENT DOCUMENTS

3,685,506 8/1972 Mouat 126/121

D. 208	12/1848	Vose	D23/105
D. 199,656	11/1964	Rogers, Jr.	D23/107
D. 201,483	6/1965	Lever	D23/97
D. 237,084	10/1975	Colluer	D23/97

Primary Examiner—James R. Largen
Attorney, Agent, or Firm—Saul Leitner

[57] CLAIM

The ornamental design for a stove, as shown.

DESCRIPTION

FIG. 1 is a perspective view of a stove showing my new design;

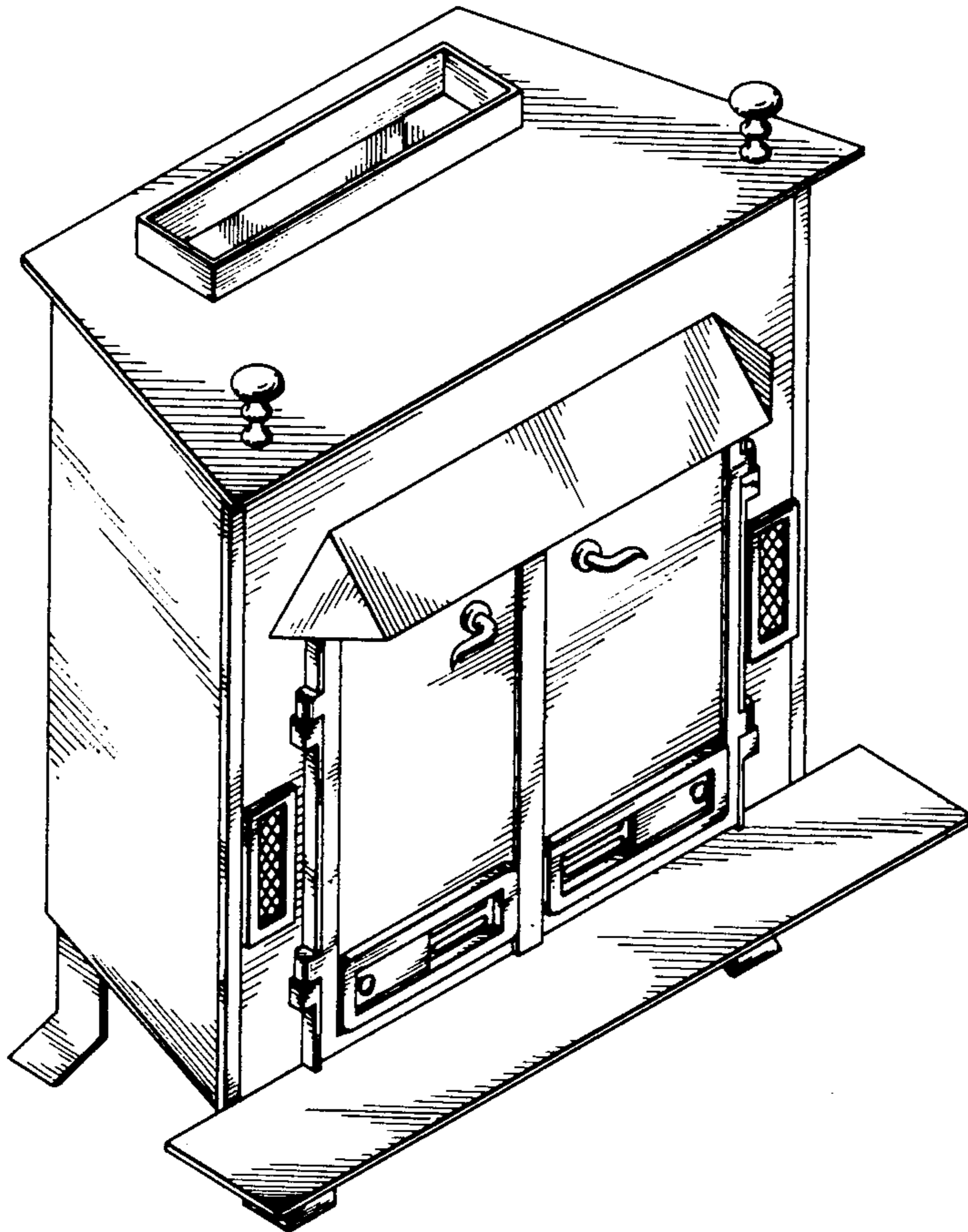
FIG. 2 is a front elevational view thereof;

FIG. 3 is a left side elevational view thereof;

FIG. 4 is a right side elevational view thereof;

FIG. 5 is a rear elevational view thereof; and

FIG. 6 is a top plan view thereof.



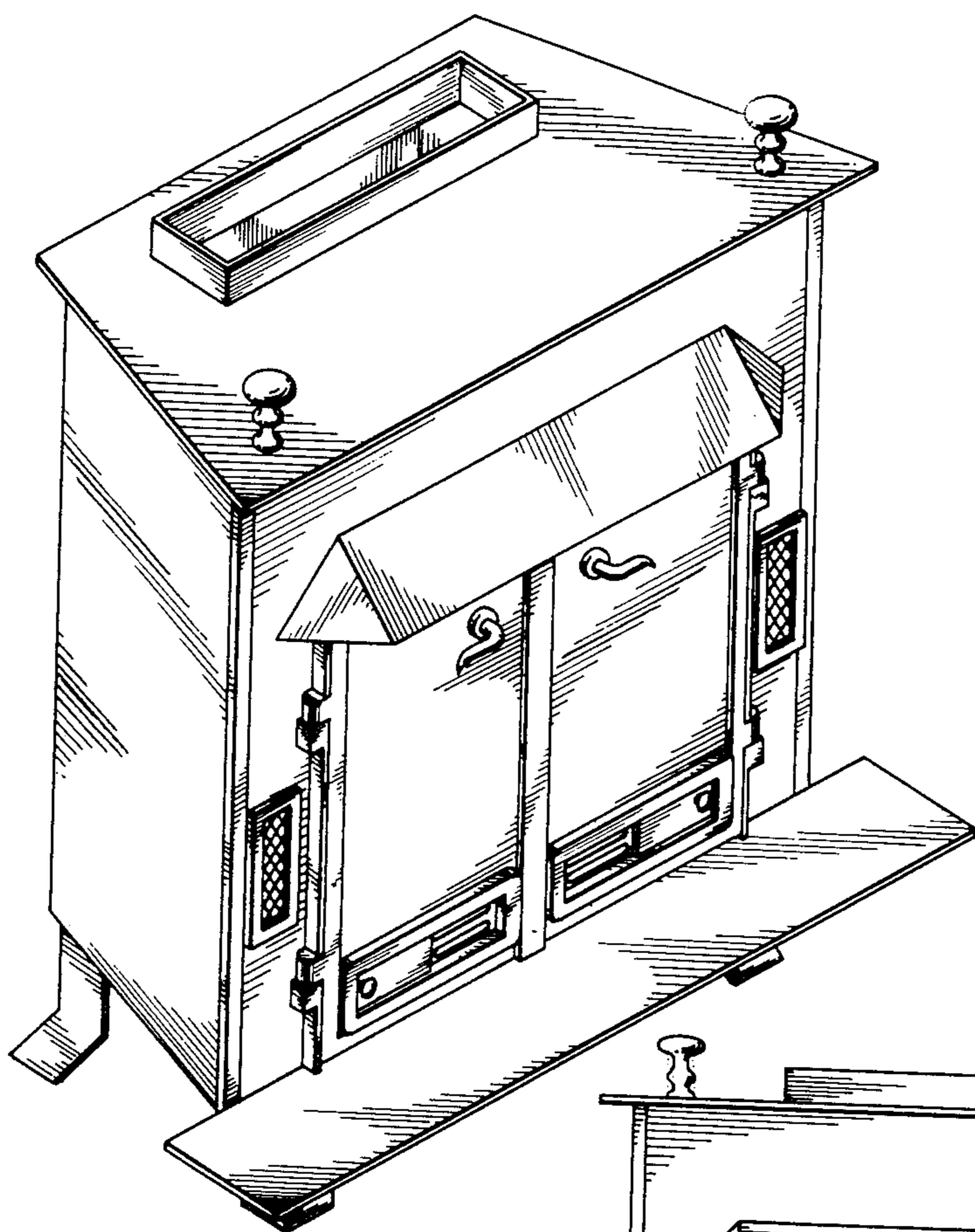


FIG. 1

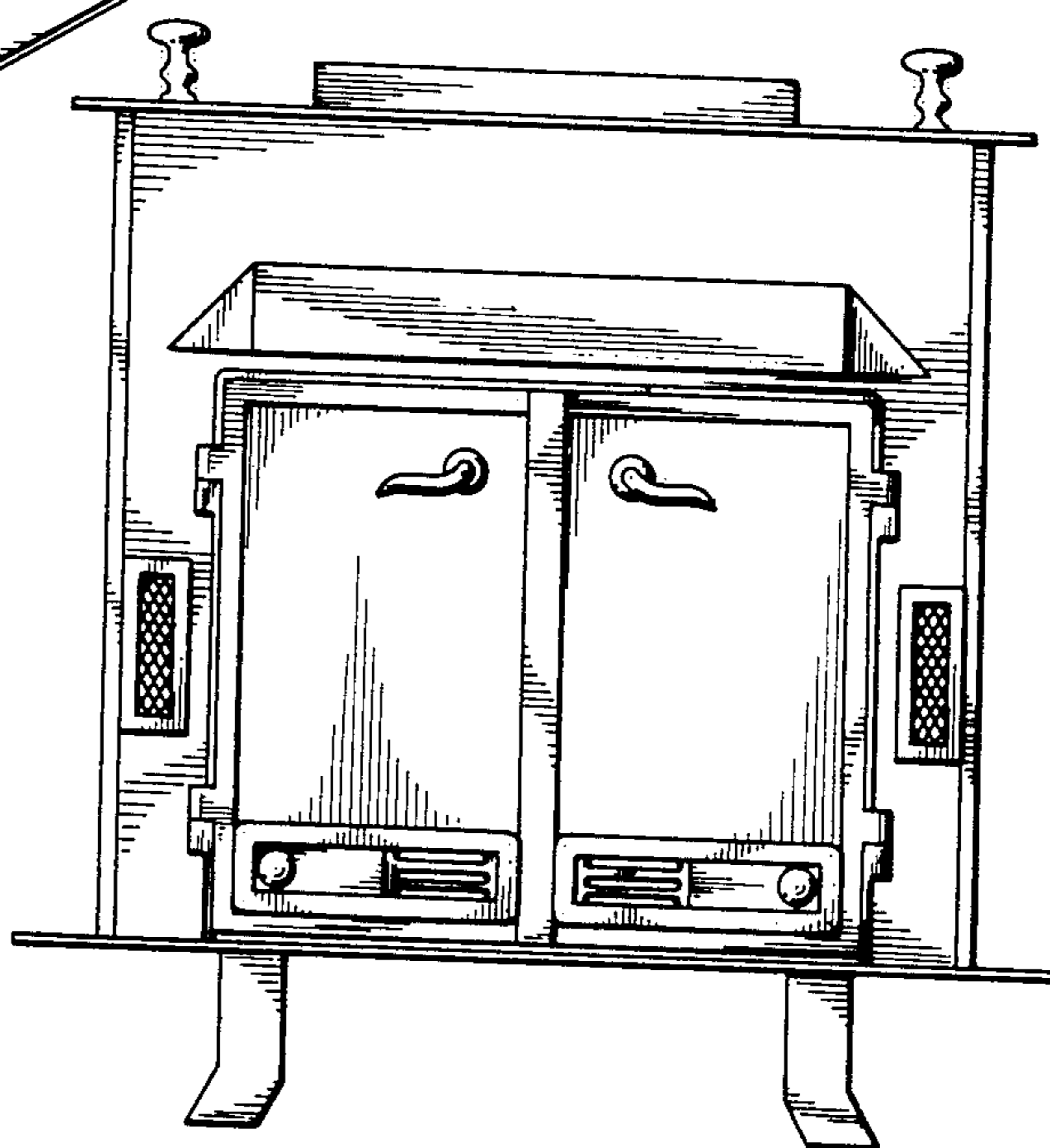


FIG. 2

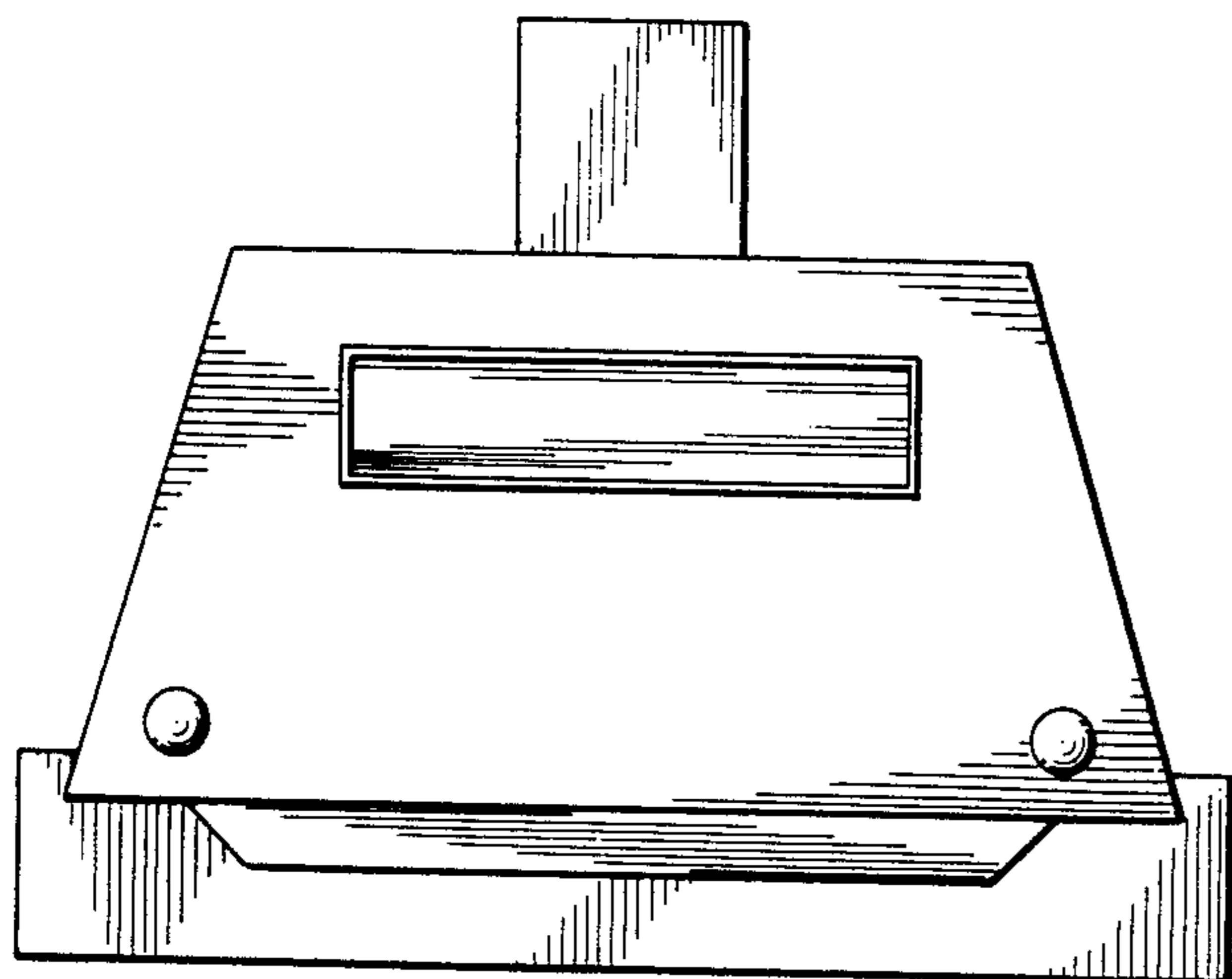


FIG. 6

FIG.3

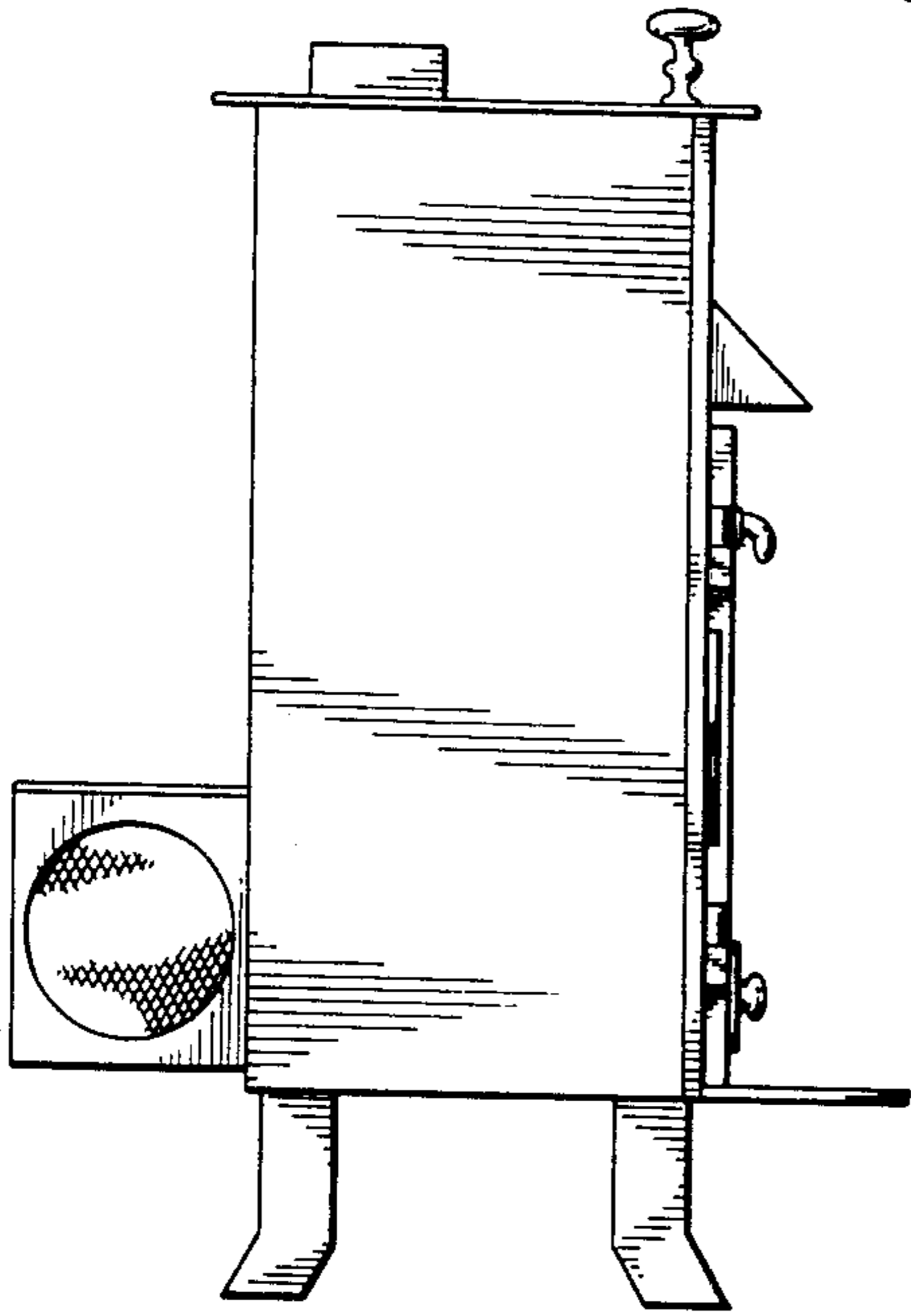


FIG.4

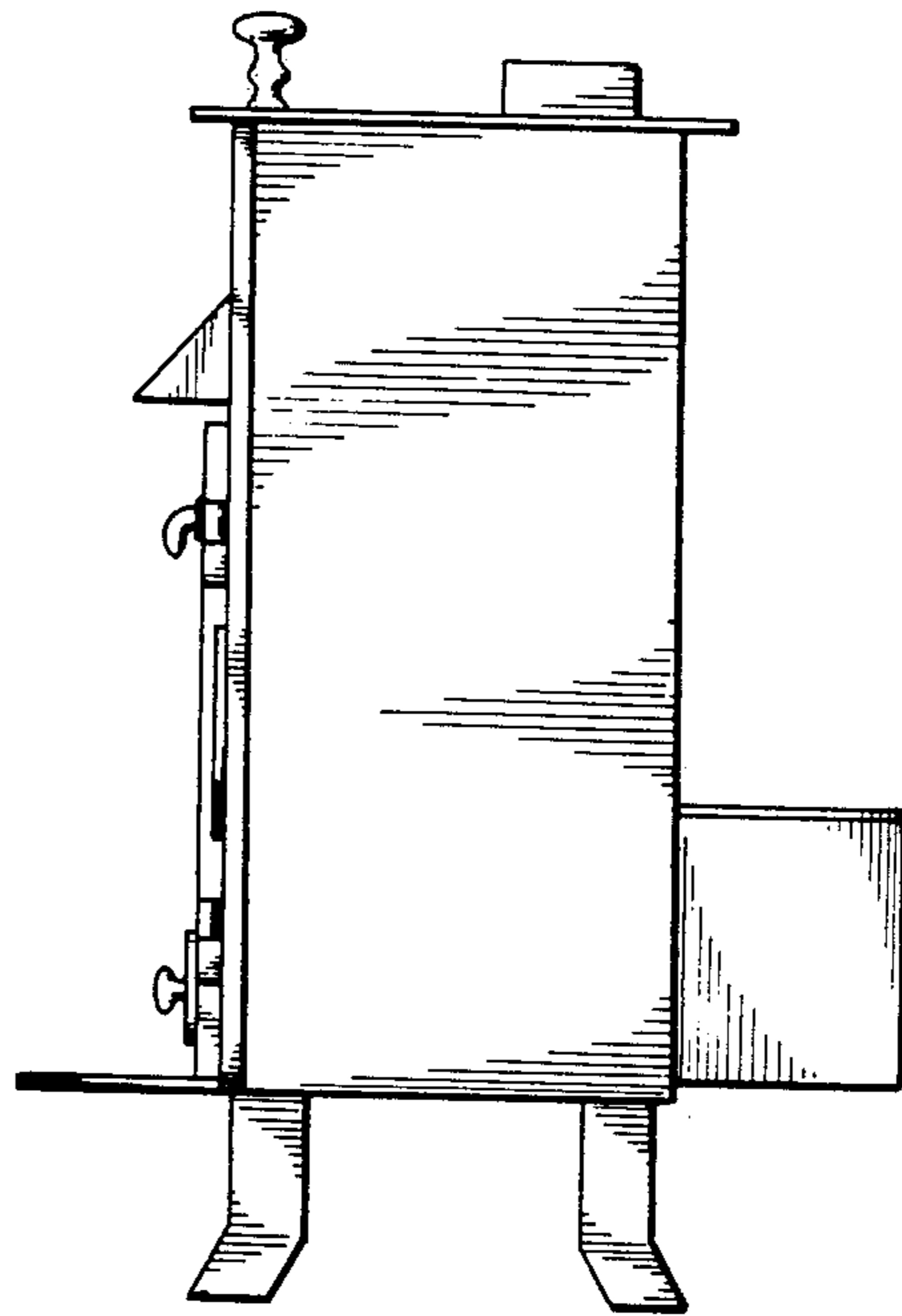


FIG.5

