

[54] PORTABLE SHOWER

[76] Inventor: Robert L. Barks, Lot 38, Delaware City Trailer Park, Delaware City, Del. 19706

[\*\*] Term: 14 Years

[21] Appl. No.: 639,382

[22] Filed: Dec. 10, 1975

[51] Int. Cl. .... D23-02

[52] U.S. Cl. .... D23/57

[58] Field of Search .... D23/48-50, D23/55-57, 69, 70; 4/1-5, 10, 146, 148, 152-155

D. 221,769	9/1971	Le Blanc et al. ....	D23/57
D. 221,770	9/1971	Le Blanc et al. ....	D23/57
D. 221,771	9/1971	Le Blanc et al. ....	D23/57

FOREIGN PATENT DOCUMENTS

17,663	1906	United Kingdom .....	4/152
--------	------	----------------------	-------

Primary Examiner—James R. Largen  
Attorney, Agent, or Firm—Charles P. Baker

[57] CLAIM

The ornamental design for a portable shower, as shown and described.

DESCRIPTION

FIG. 1 is a perspective view of a portable shower showing my new design;  
FIG. 2 is a top plan view thereof; and  
FIG. 3 is a side elevational view thereof.  
The broken line representation of a fragment of a hose in FIGS. 1 through 3 is for purposes of illustration only.

[56] References Cited  
U.S. PATENT DOCUMENTS

1,338,058	4/1920	Webber .....	4/116 UX
1,960,969	5/1934	Duncan .....	4/154
3,067,434	12/1962	Neal et al. ....	D23/57
3,203,007	8/1965	Olson .....	D23/48 UX
3,590,398	7/1971	Jeffer .....	D23/57 UX

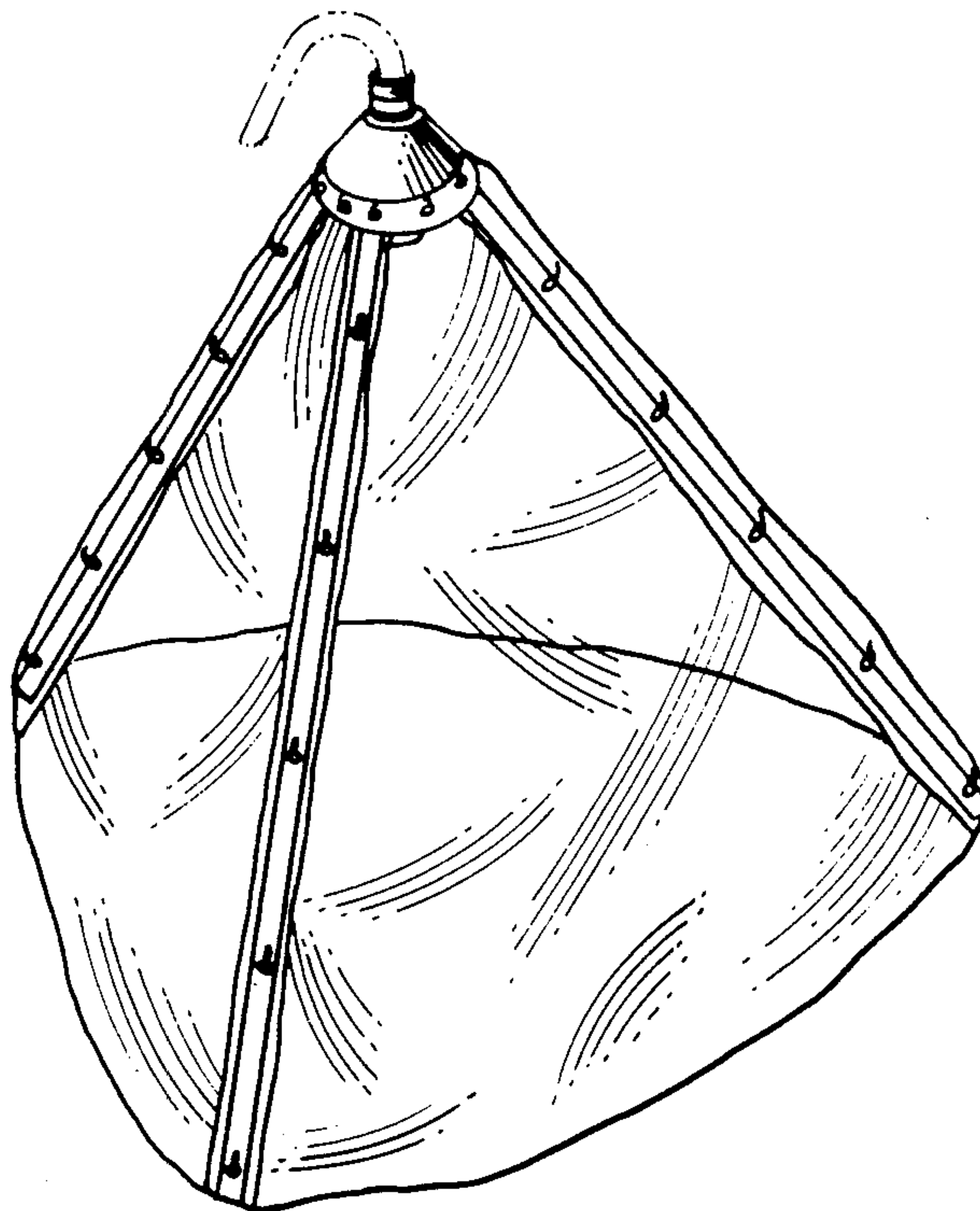


FIG. 1.

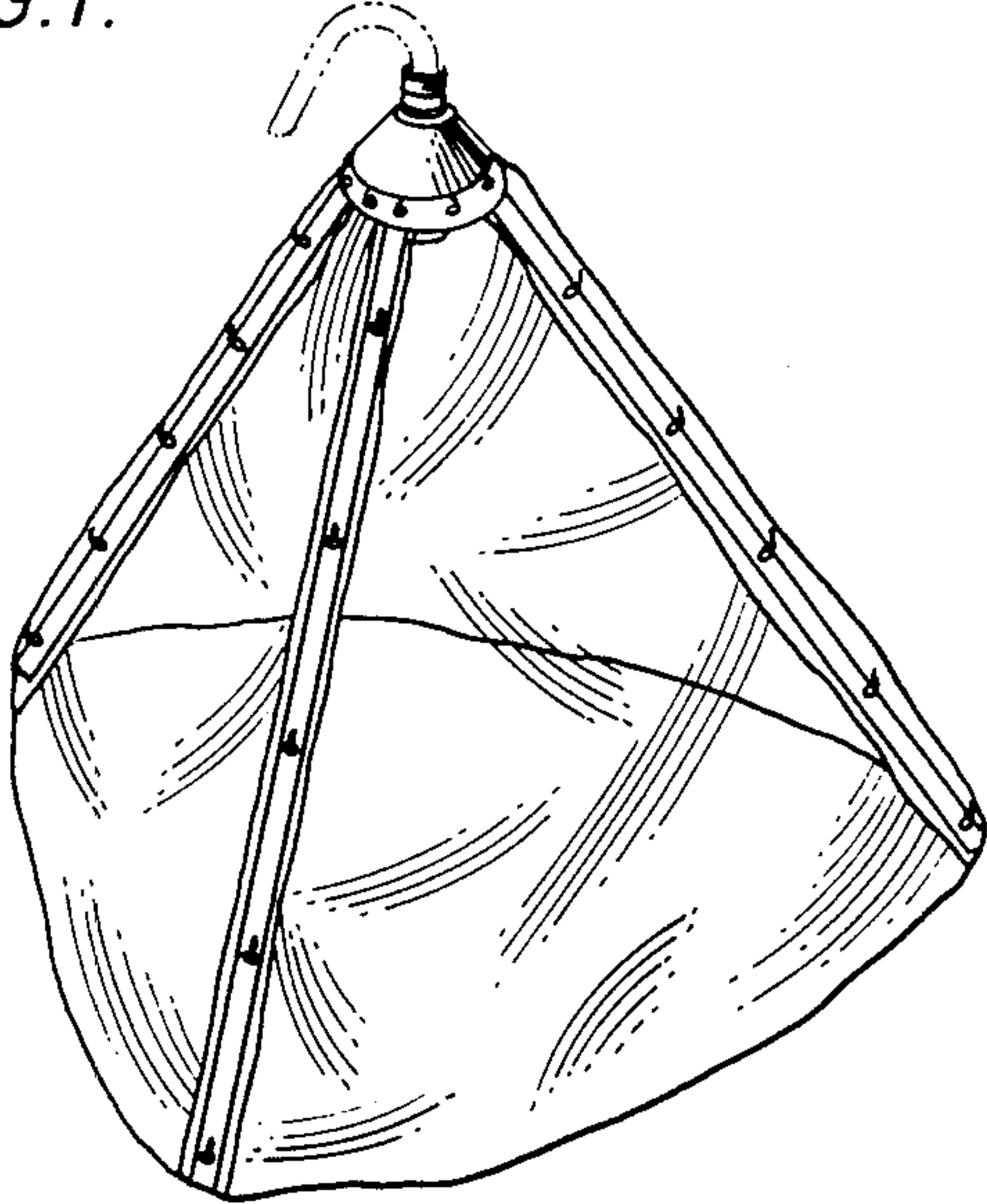


FIG. 2.

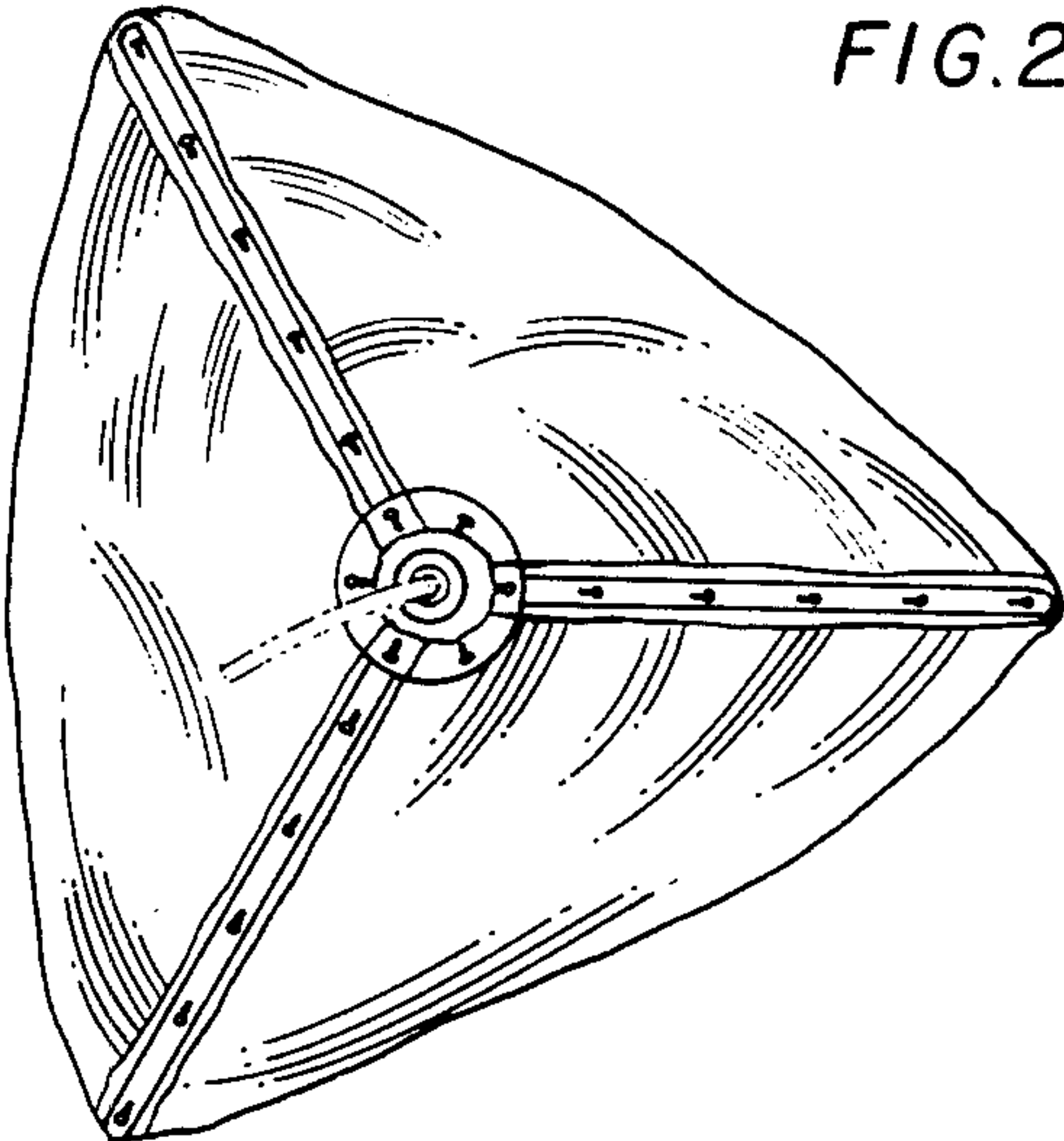


FIG. 3.

