

[54] **ORNAMENTAL DESIGN FOR COMBINED FISH HOOK AND ARTIFICIAL FISH EGGS**

1,557,083 10/1925 Peckinpaugh ..... 43/42.28  
3,382,602 5/1968 Blake ..... 43/44.6

[76] Inventor: **Thomas N. Tart**, 8549 W. Burleigh St., Milwaukee, Wis. 53222

[\*\*] Term: **14 Years**

*Primary Examiner*—William N. Wertman  
*Attorney, Agent, or Firm*—Gerald P. Welch

[21] Appl. No.: **656,610**

[22] Filed: **Feb. 9, 1976**

[57] **CLAIM**

The ornamental design for a combined fish hook and artificial fish eggs, as shown.

[51] Int. Cl. .... **D22-05**

[52] U.S. Cl. .... **D22/30**

[58] Field of Search ..... 43/42.37, 42.38;  
D22/30

**DESCRIPTION**

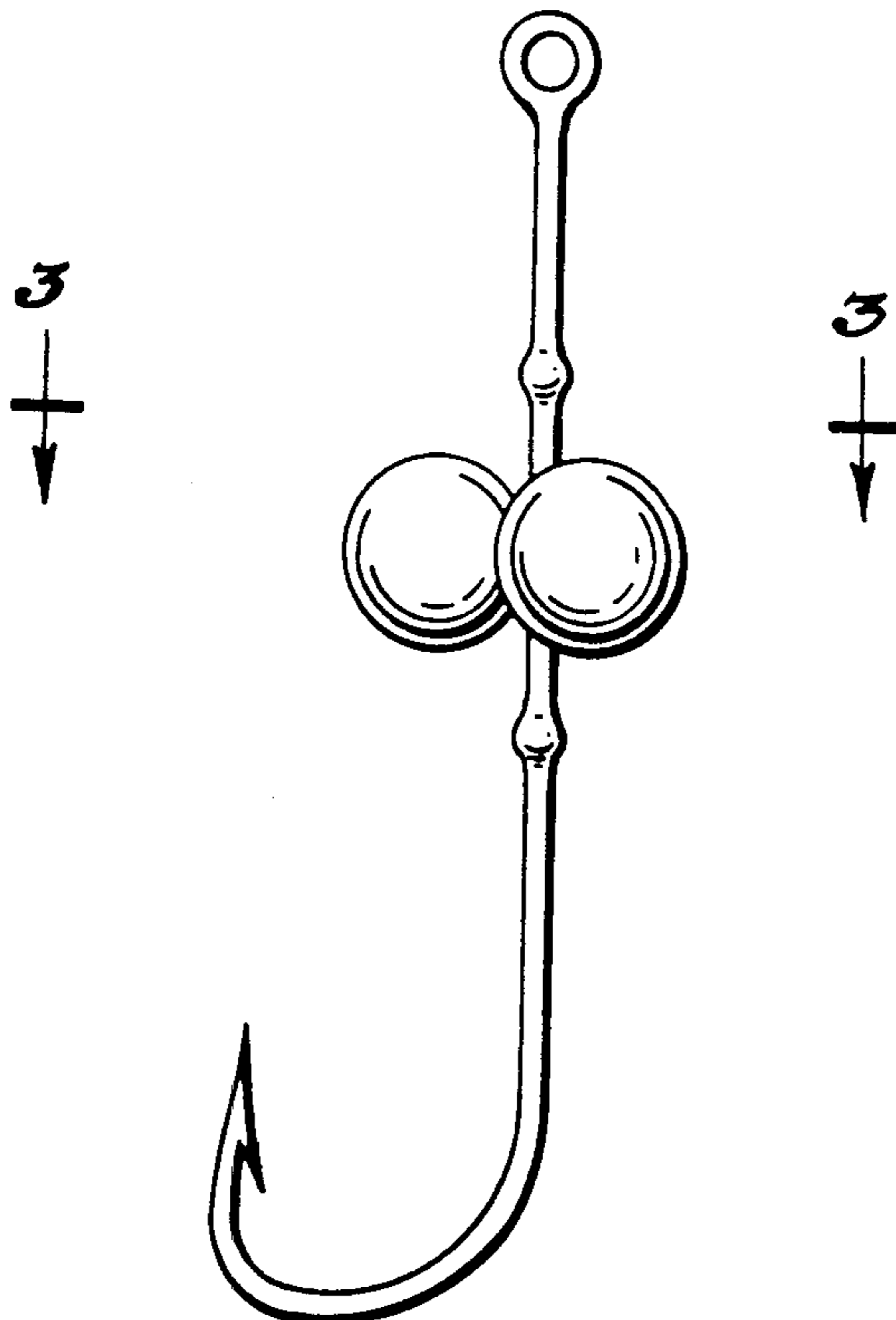
FIG. 1 is a side view of a combined fish hook and artificial fish eggs, and

FIG. 2 is a rear edge view of the same; and

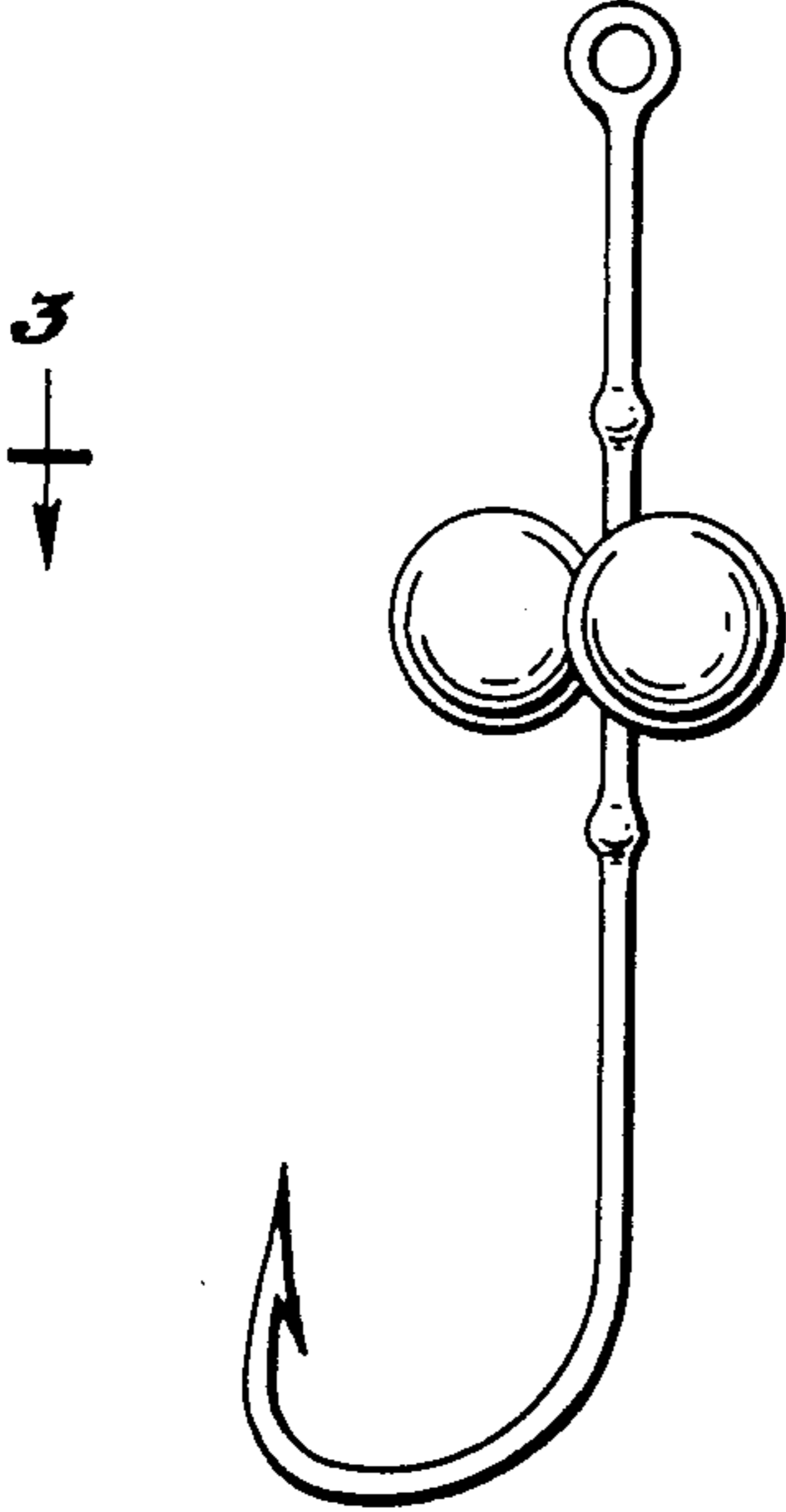
FIG. 3 is a fragmentary plan view on line 3-3 of FIG. 1.

[56] **References Cited**  
**U.S. PATENT DOCUMENTS**

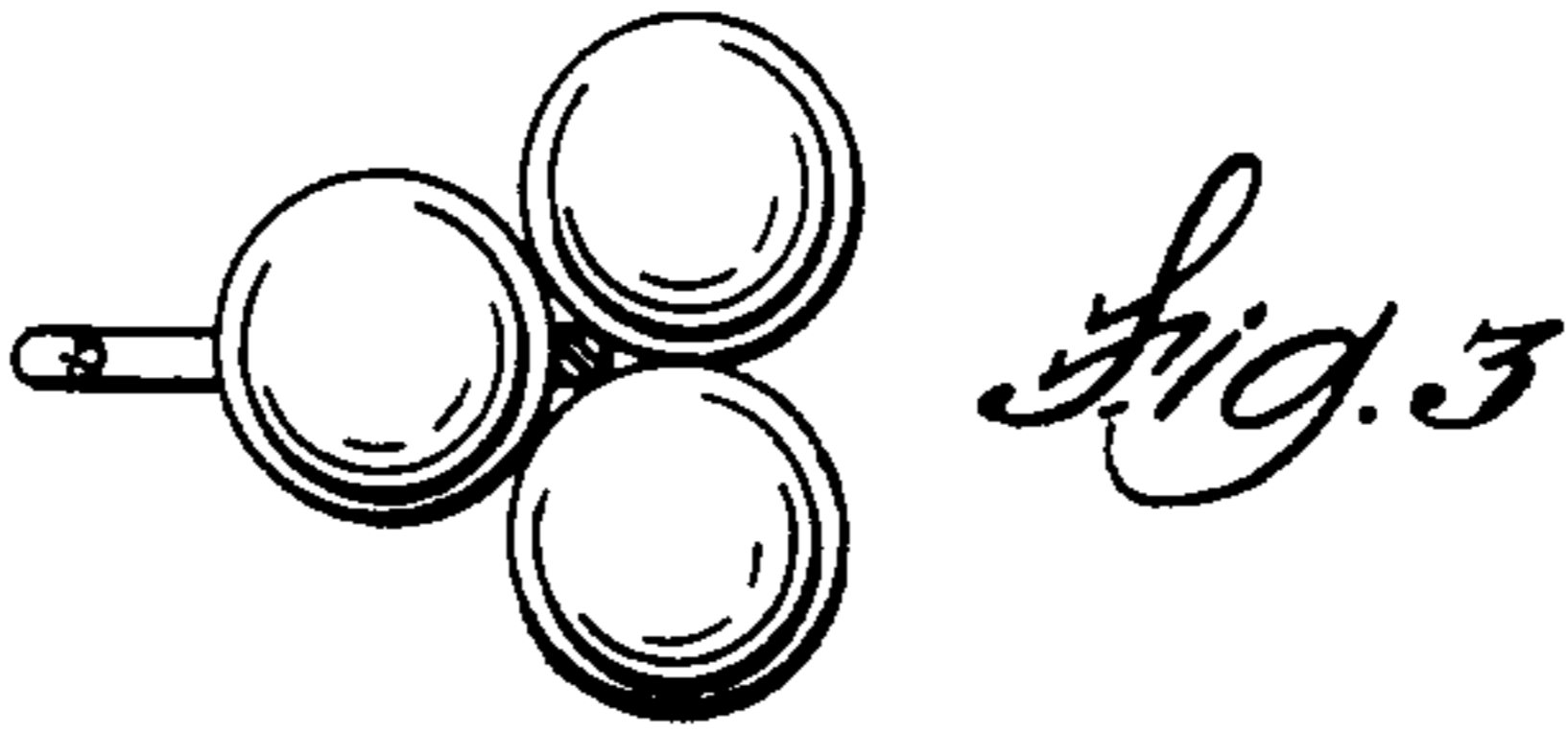
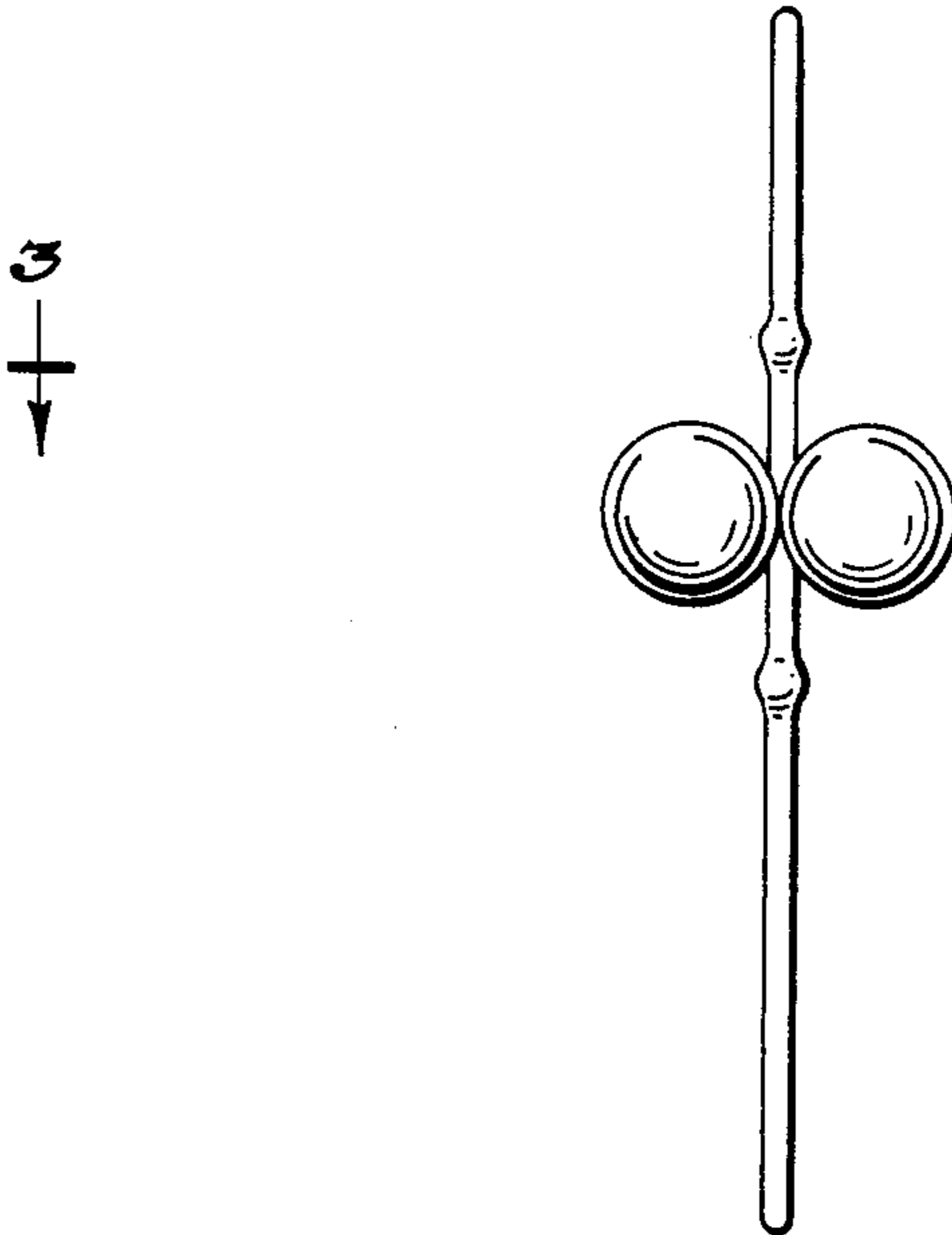
825,232 7/1906 Mitchell ..... 43/42.34 X



*Fig. 1*



*Fig. 2*



*Fig. 3*