

[54] SULKY

[76] Inventor: **Joseph H. King**, Box 1731, Ormond Beach, Fla. 32074

[**] Term: **14 Years**

[21] Appl. No.: **651,867**

[22] Filed: **Jan. 23, 1976**

[51] Int. Cl. **D12-01**

[52] U.S. Cl. **D12/19**

[58] Field of Search **D12/19; 280/63, 66, 280/70, 72, 75, 47.25, 47.24**

[56] **References Cited**

U.S. PATENT DOCUMENTS

1,573,318	2/1926	Huber	280/63
3,256,125	6/1966	Tyler	280/63
3,847,408	11/1974	King	280/63
D. 151,582	11/1948	Bates	D12/19

Primary Examiner—Wallace R. Burke
Assistant Examiner—James M. Gandy
Attorney, Agent, or Firm—George M. Cooper

[57] **CLAIM**

The ornamental design for a sulky, as shown.

DESCRIPTION

FIG. 1 is a perspective view of a sulky showing my new design;

FIG. 2 is a side elevational view thereof, the opposite side being a mirror image of the side shown herein;

FIG. 3 is a rear elevational view thereof on a reduced scale;

FIG. 4 is a front elevational view thereof on a reduced scale;

FIG. 5 is a top plan view thereof on a reduced scale; and

FIG. 6 is a bottom plan view thereof on a reduced scale.

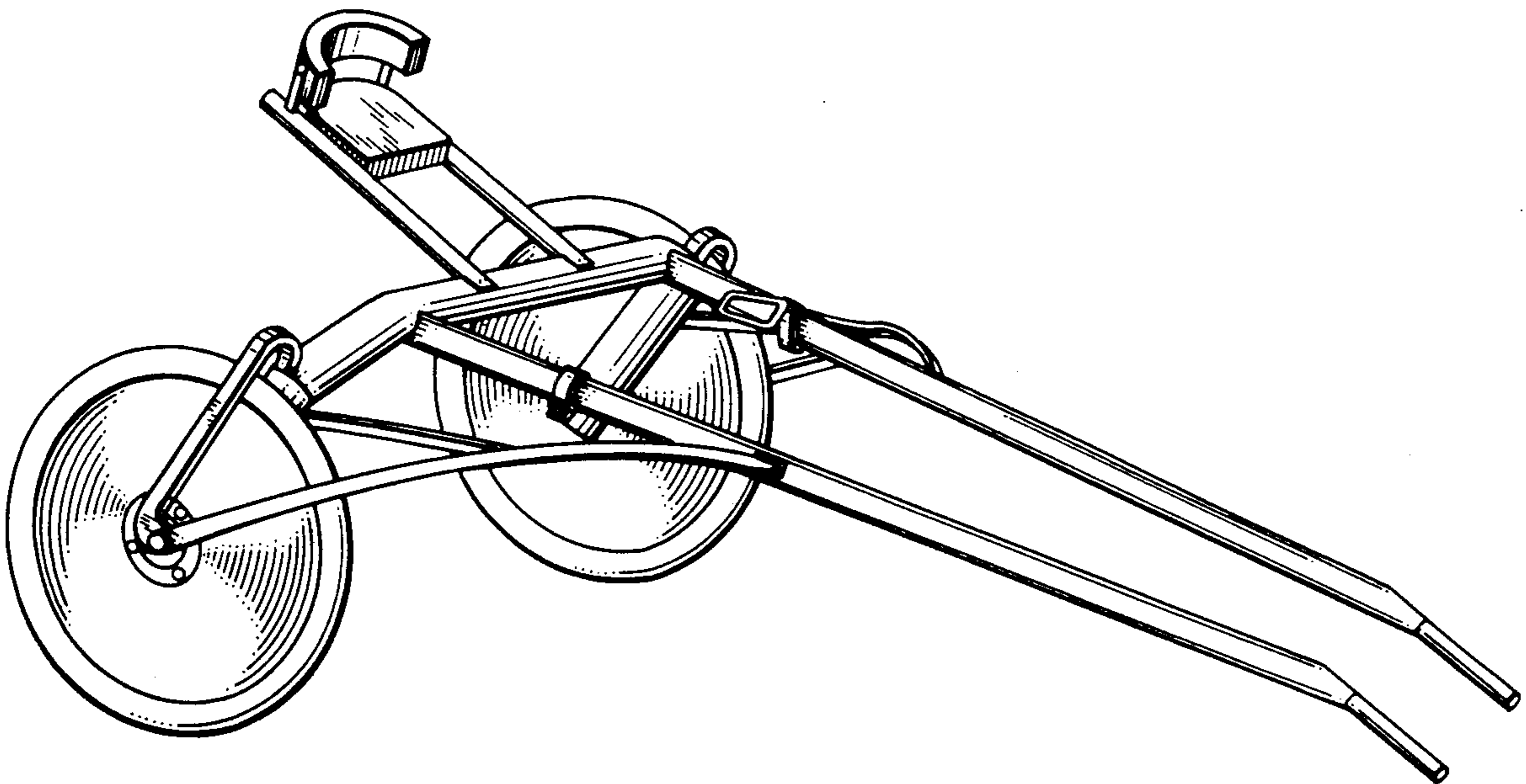


FIG. 1

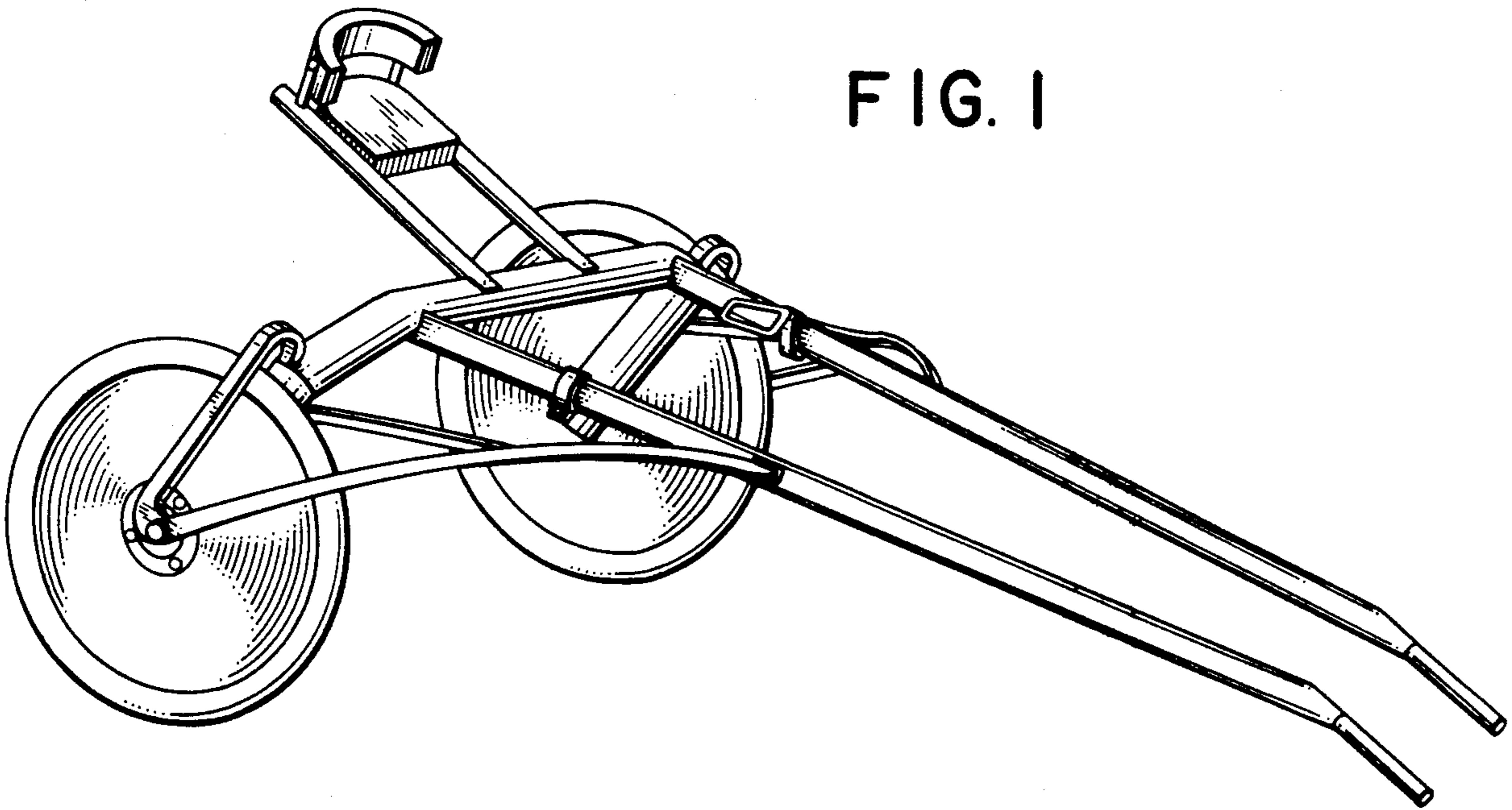
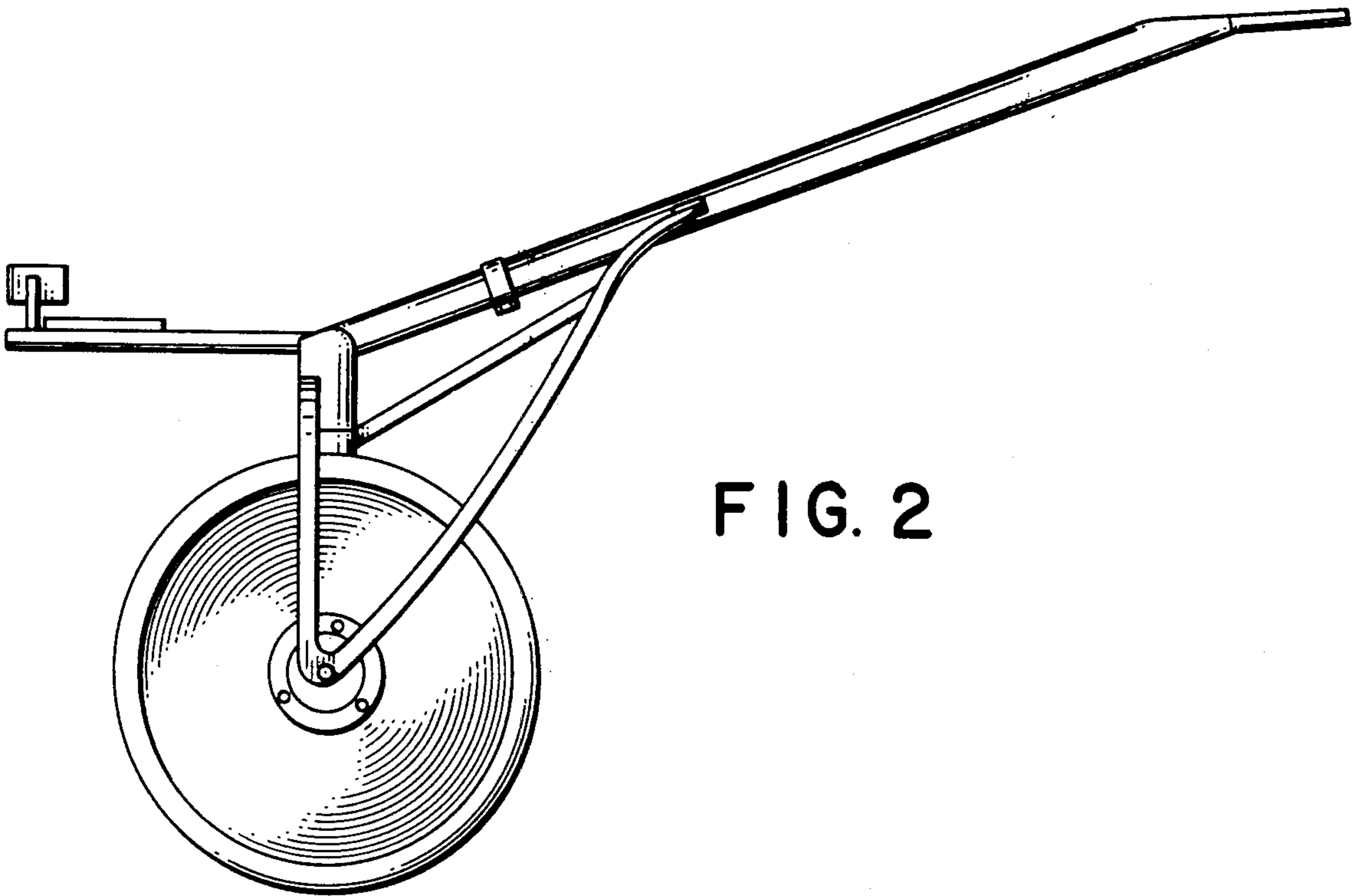


FIG. 2



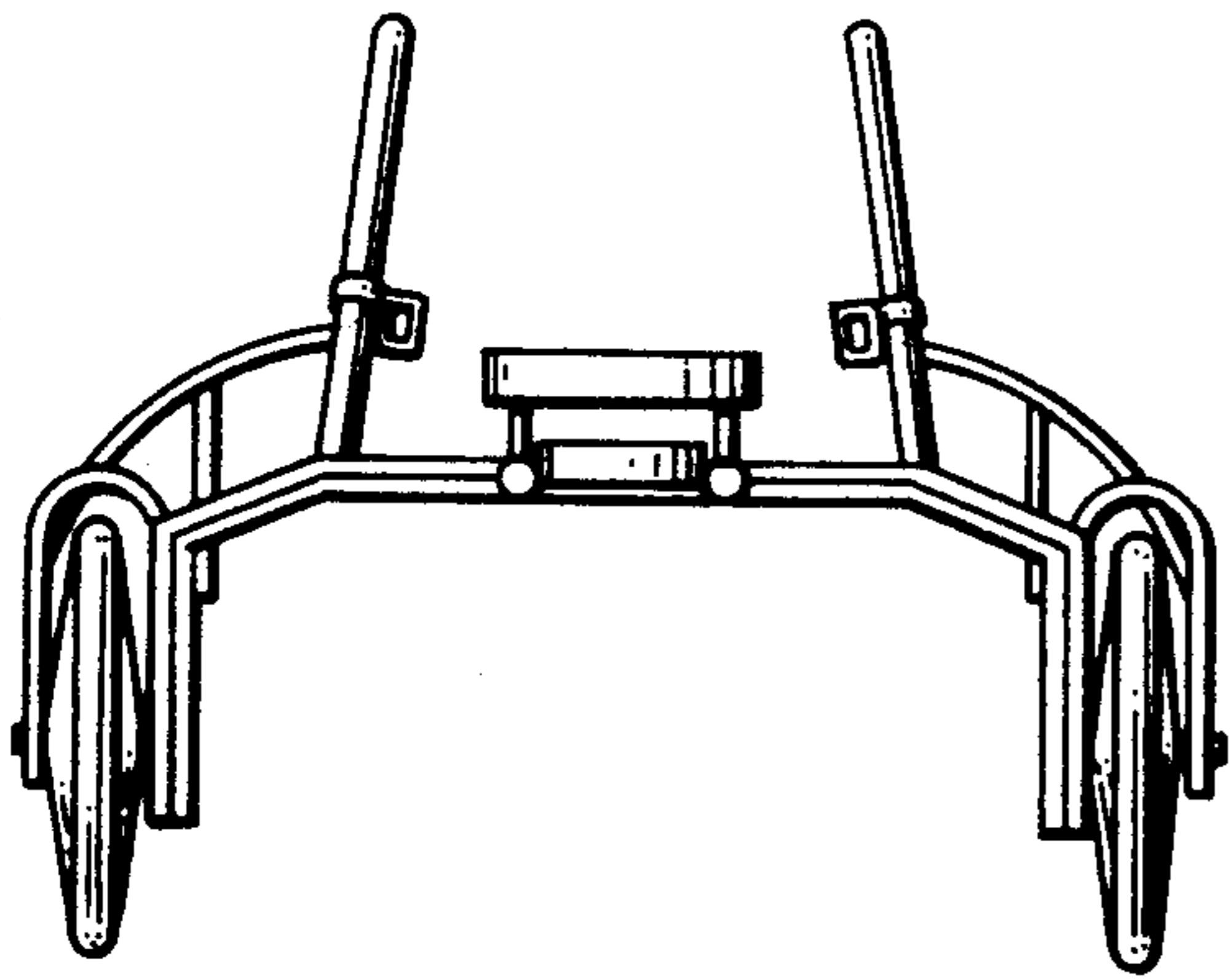


FIG. 3

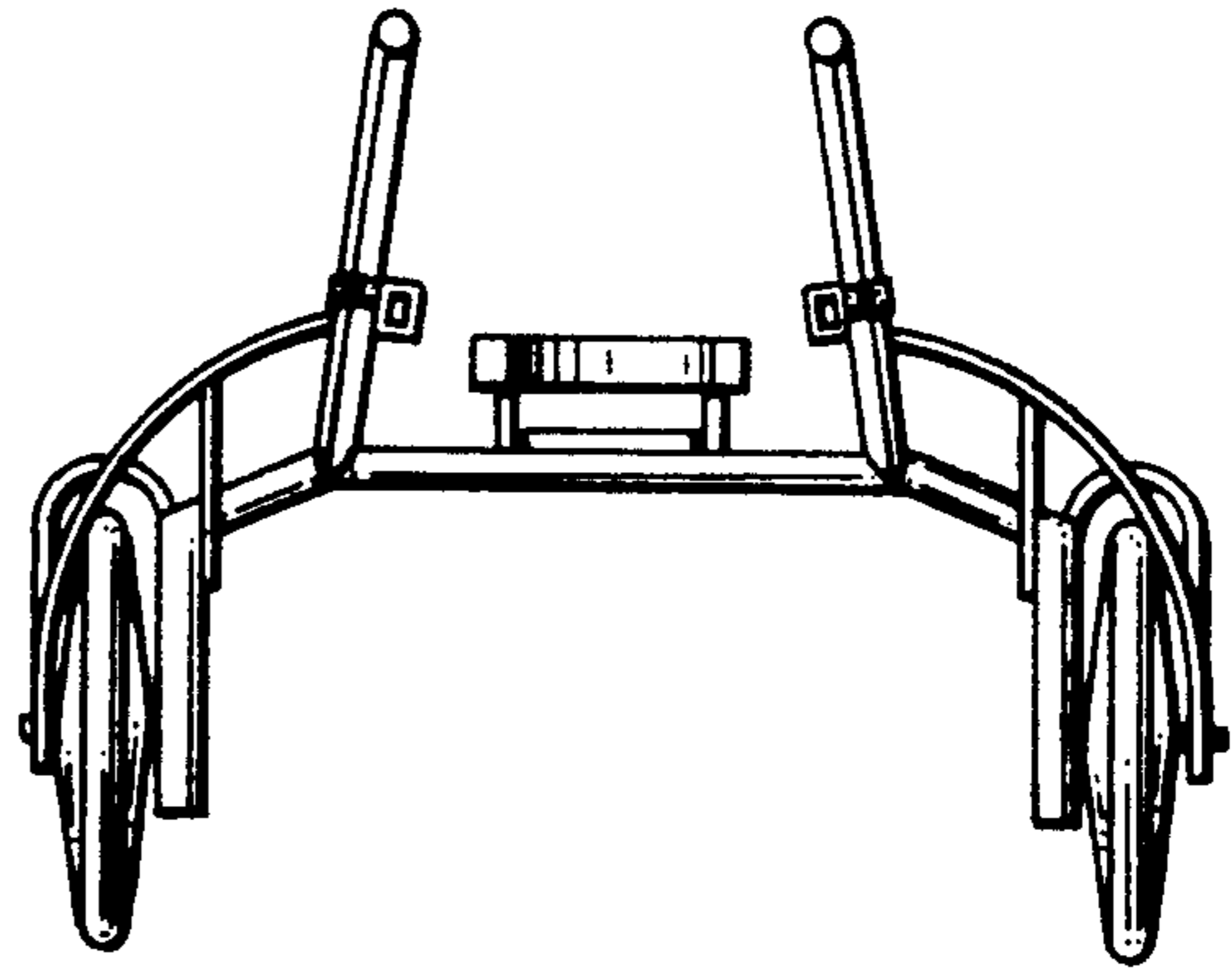


FIG. 4

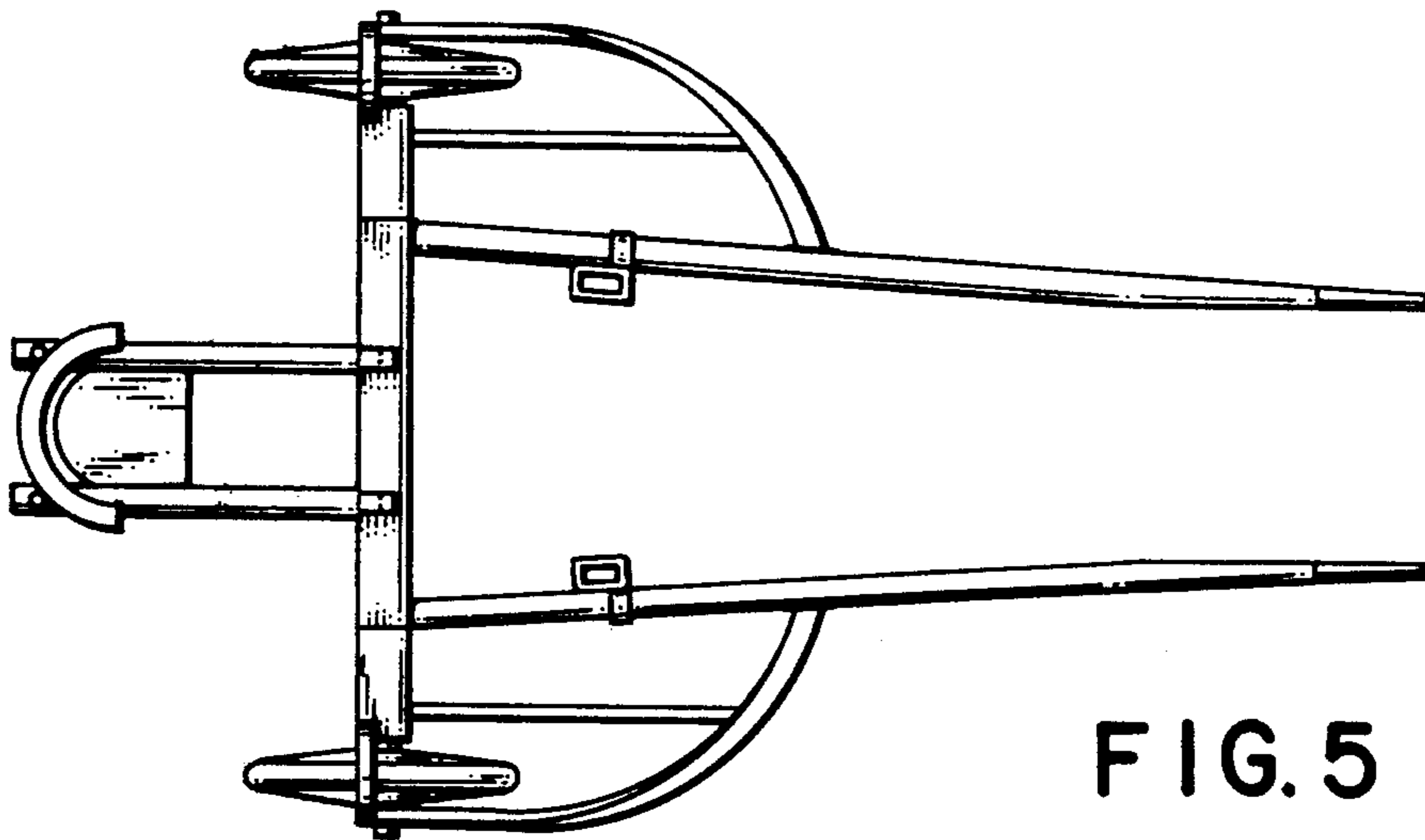


FIG. 5

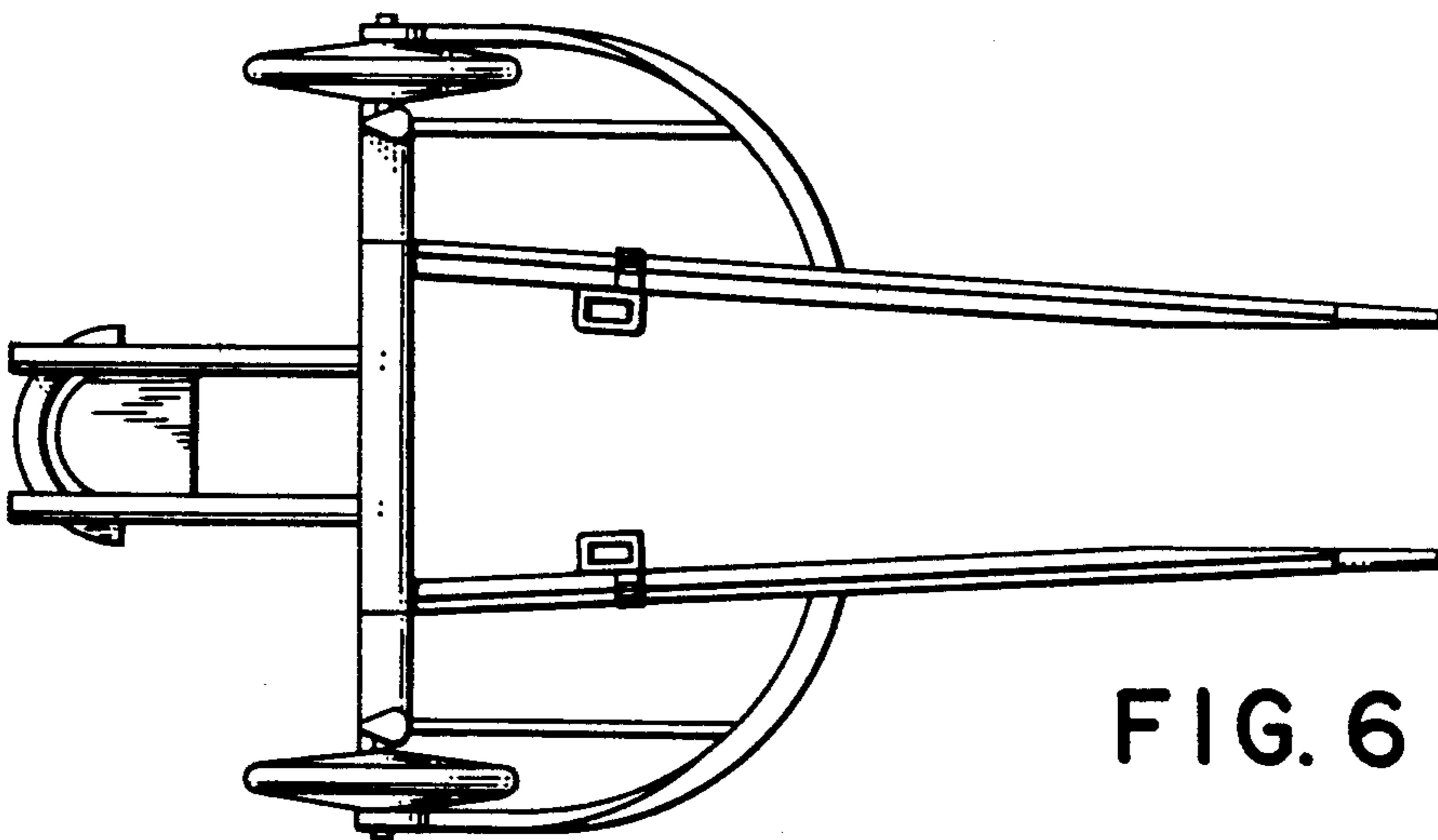


FIG. 6