

[54] RIBBON PACKAGE

[75] Inventor: Richard J. Schwartz, St. Paul, Minn.

[73] Assignee: Minnesota Mining and Manufacturing Company, St. Paul, Minn.

[\*\*] Term: 14 Years

[21] Appl. No.: 610,325

[22] Filed: Sept. 4, 1975

[51] Int. Cl. .... D9-03

[52] U.S. Cl. .... D9/183

[58] Field of Search ..... 206/389, 391, 412, 497; D9/184, 183, 189, 193

[56] References Cited

U.S. PATENT DOCUMENTS

3,128,030	4/1964	Davies	.....	D9/183 X
D. 187,007	1/1960	Katz	.....	D9/184
D. 197,862	3/1964	Wills, Jr.	.....	D9/183

Primary Examiner—Robert C. Spangler  
Attorney, Agent, or Firm—Cruzan Alexander

[57] CLAIM

The ornamental design for a ribbon package, substantially as shown and described.

DESCRIPTION

FIG. 1 is a perspective view of a ribbon package embodying my new design;  
 FIG. 2 is a plan view thereof;  
 FIG. 3 is a front view;  
 FIG. 4 is a left end view;  
 FIG. 5 is a right end view;  
 FIG. 6 is a rear view;  
 FIG. 7 is a bottom view;  
 FIG. 8 is a perspective view of a second embodiment of a ribbon package embodying my new design;  
 FIG. 9 is a plan view of the ribbon package of FIG. 8;  
 FIG. 10 is a front view of the ribbon package of FIG. 8;  
 FIG. 11 is a rear view of the ribbon package of FIG. 8;  
 FIG. 12 is a left end view of the ribbon package of FIG. 8;  
 FIG. 13 is a right end view of the ribbon package of FIG. 8; and  
 FIG. 14 is a bottom view of the ribbon package of FIG. 8.

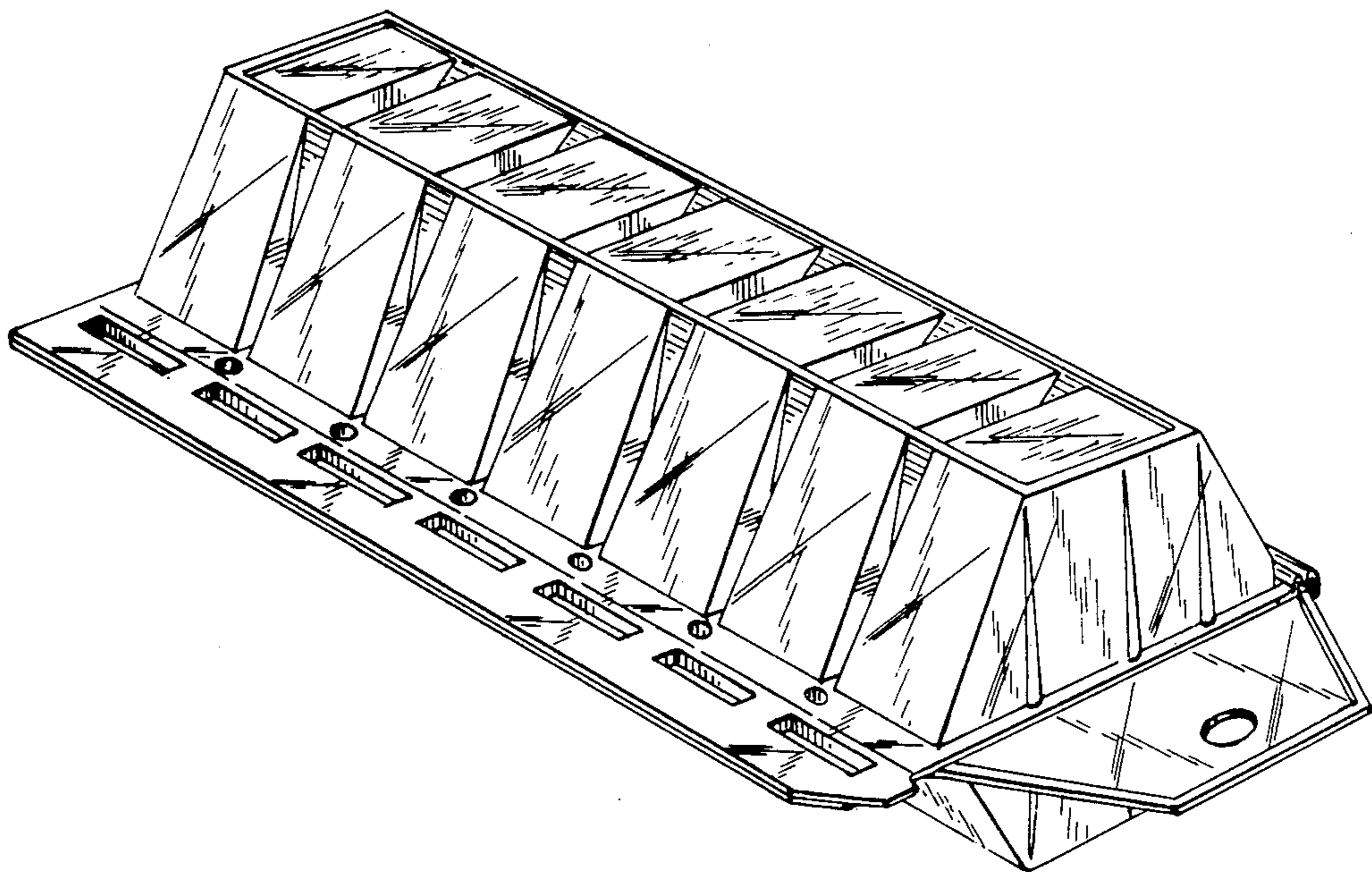


FIG. 1

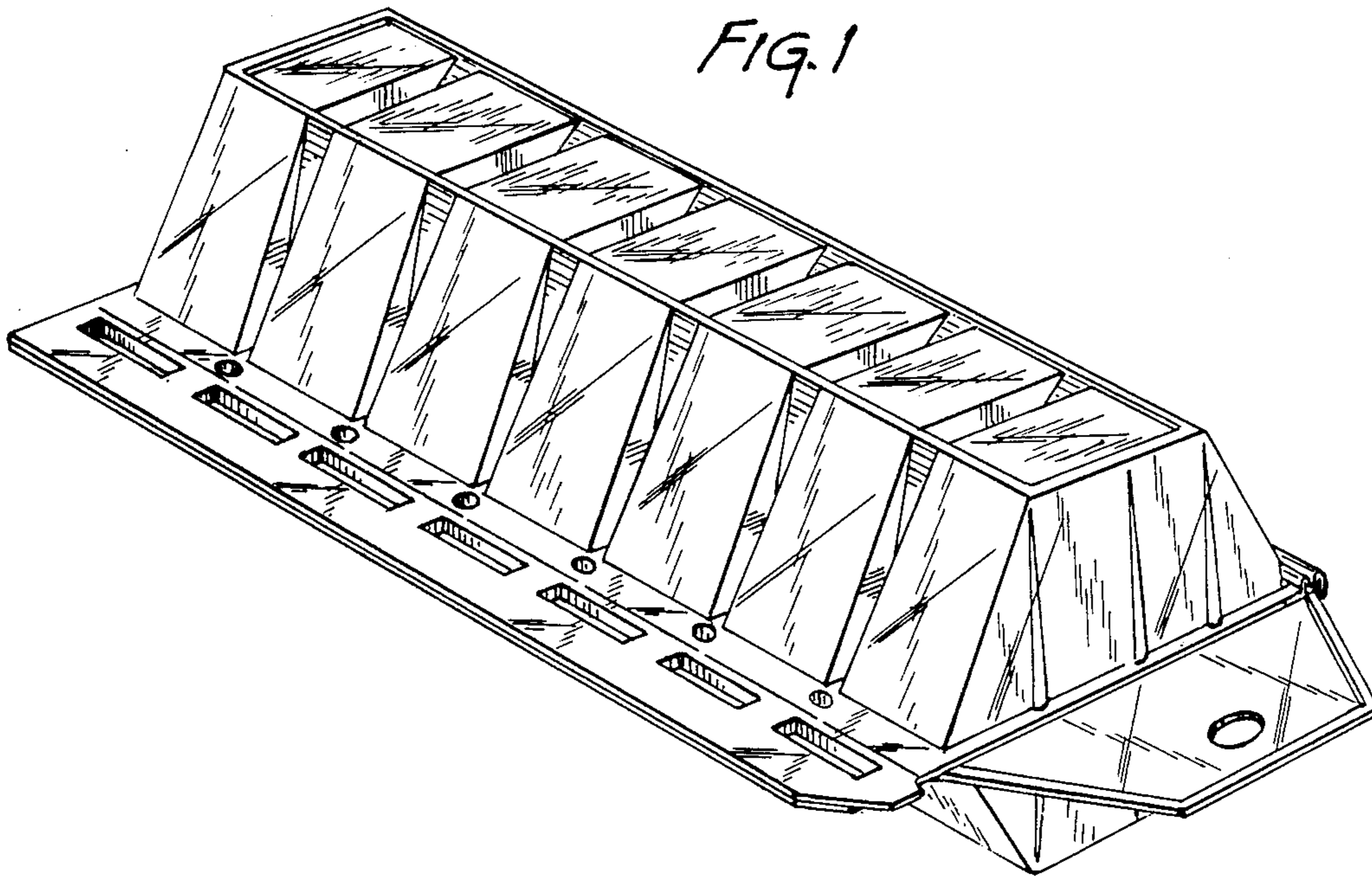


FIG. 2

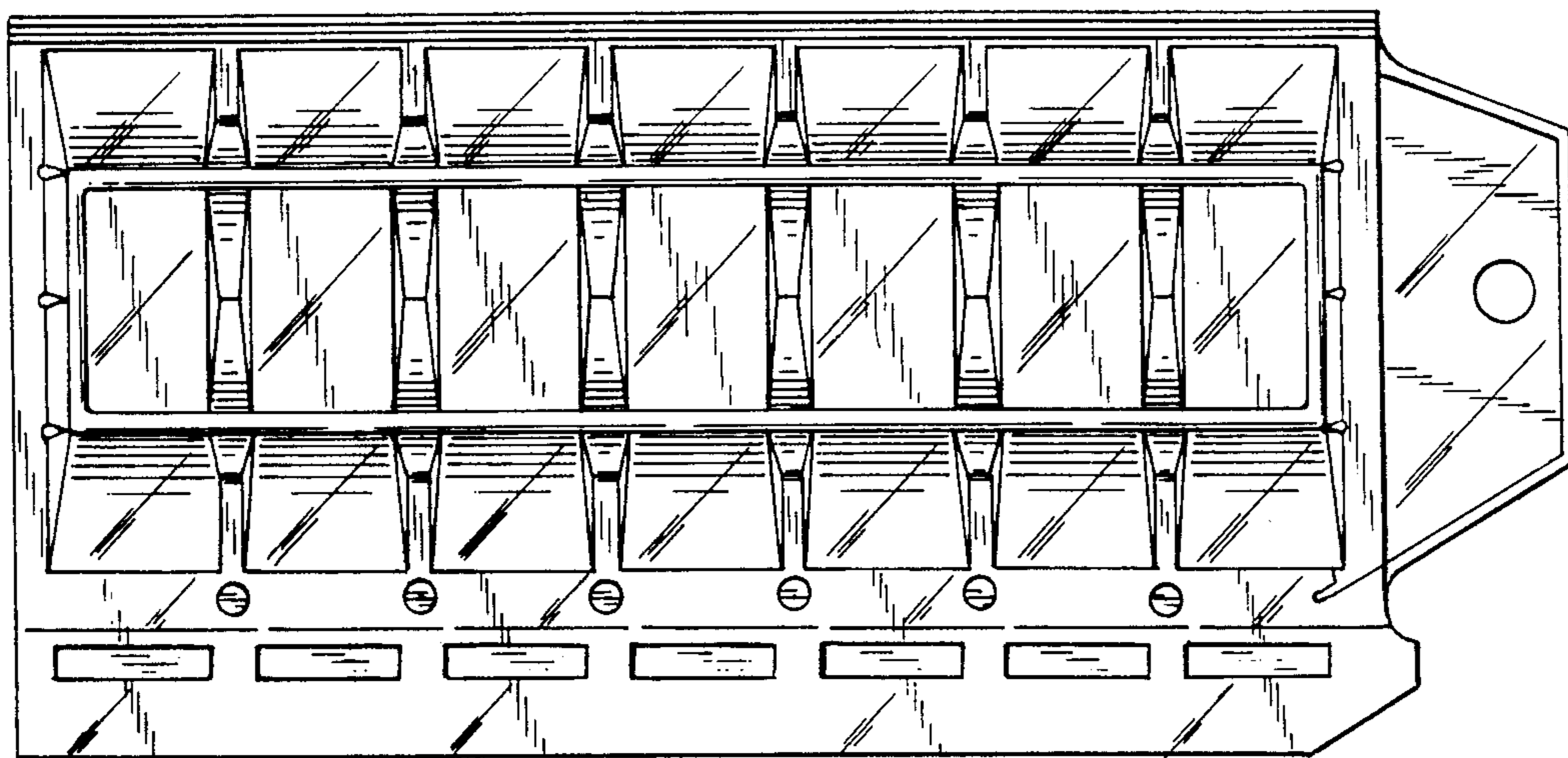


FIG. 3

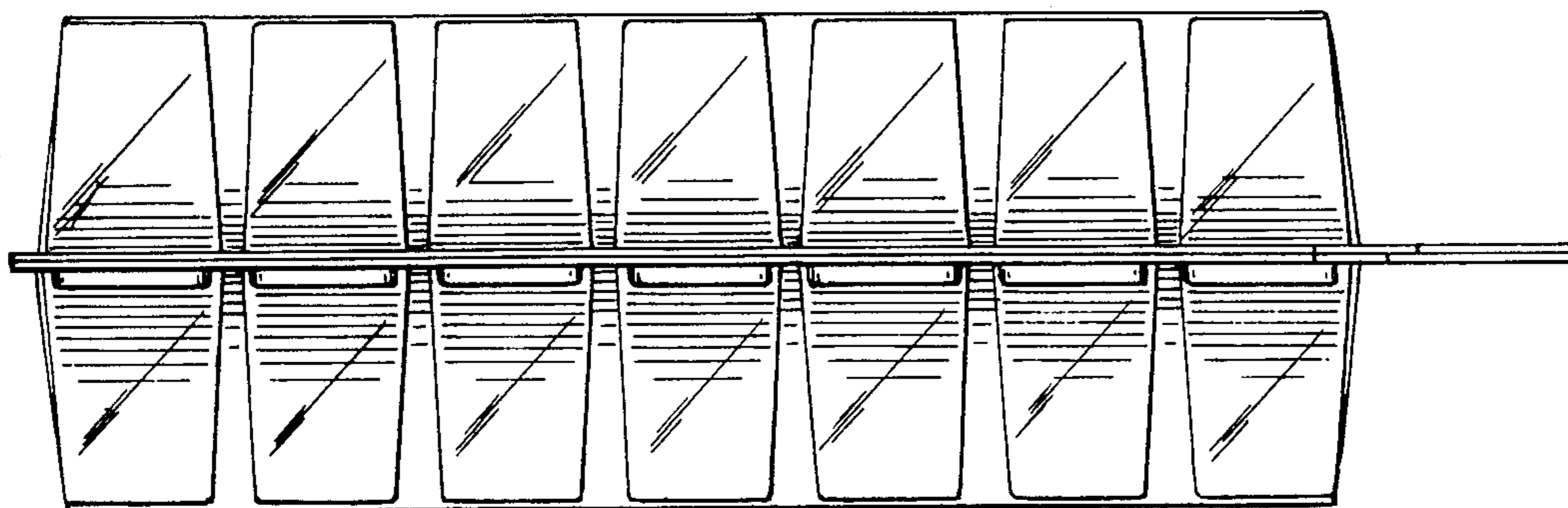


FIG. 4

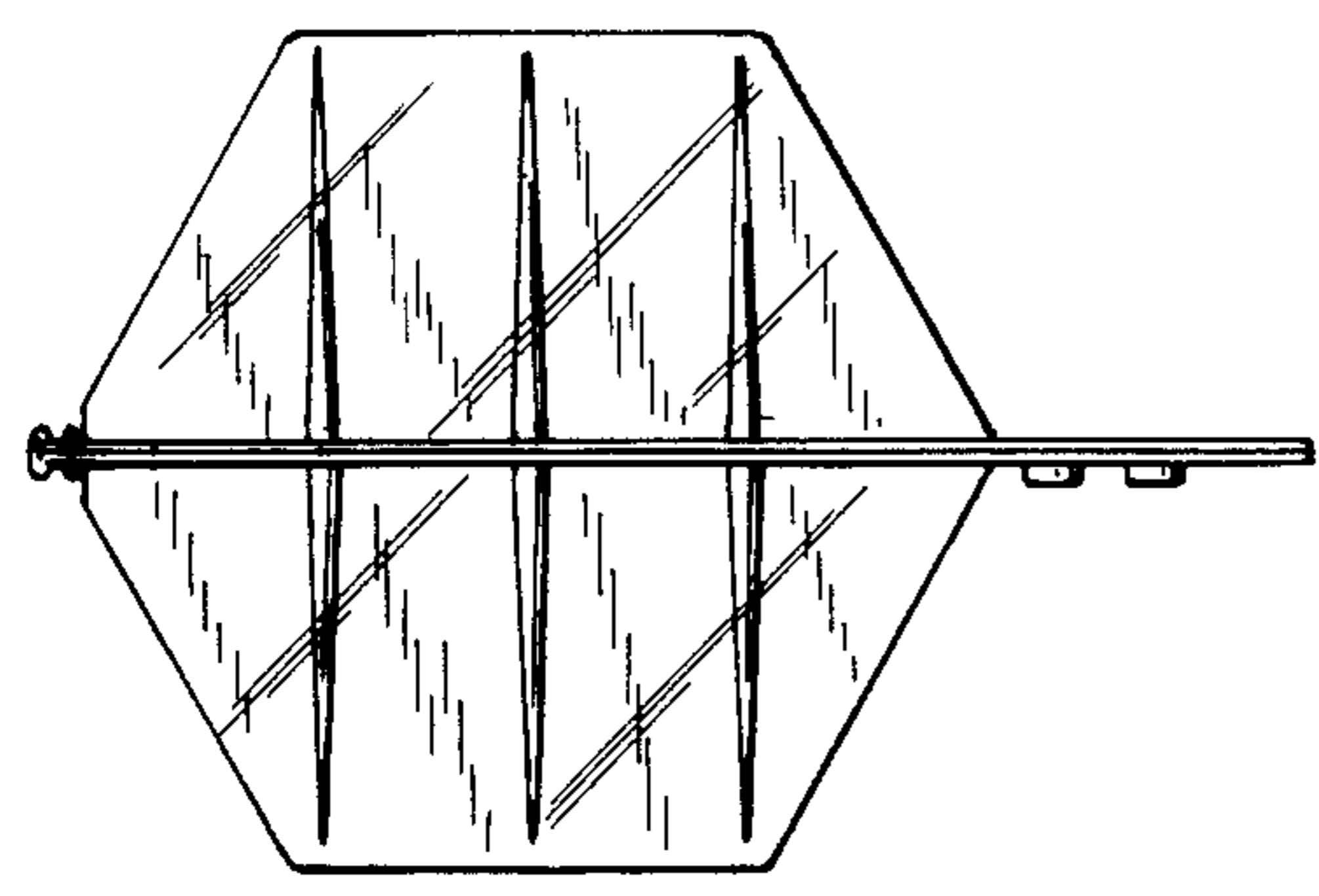


FIG. 5

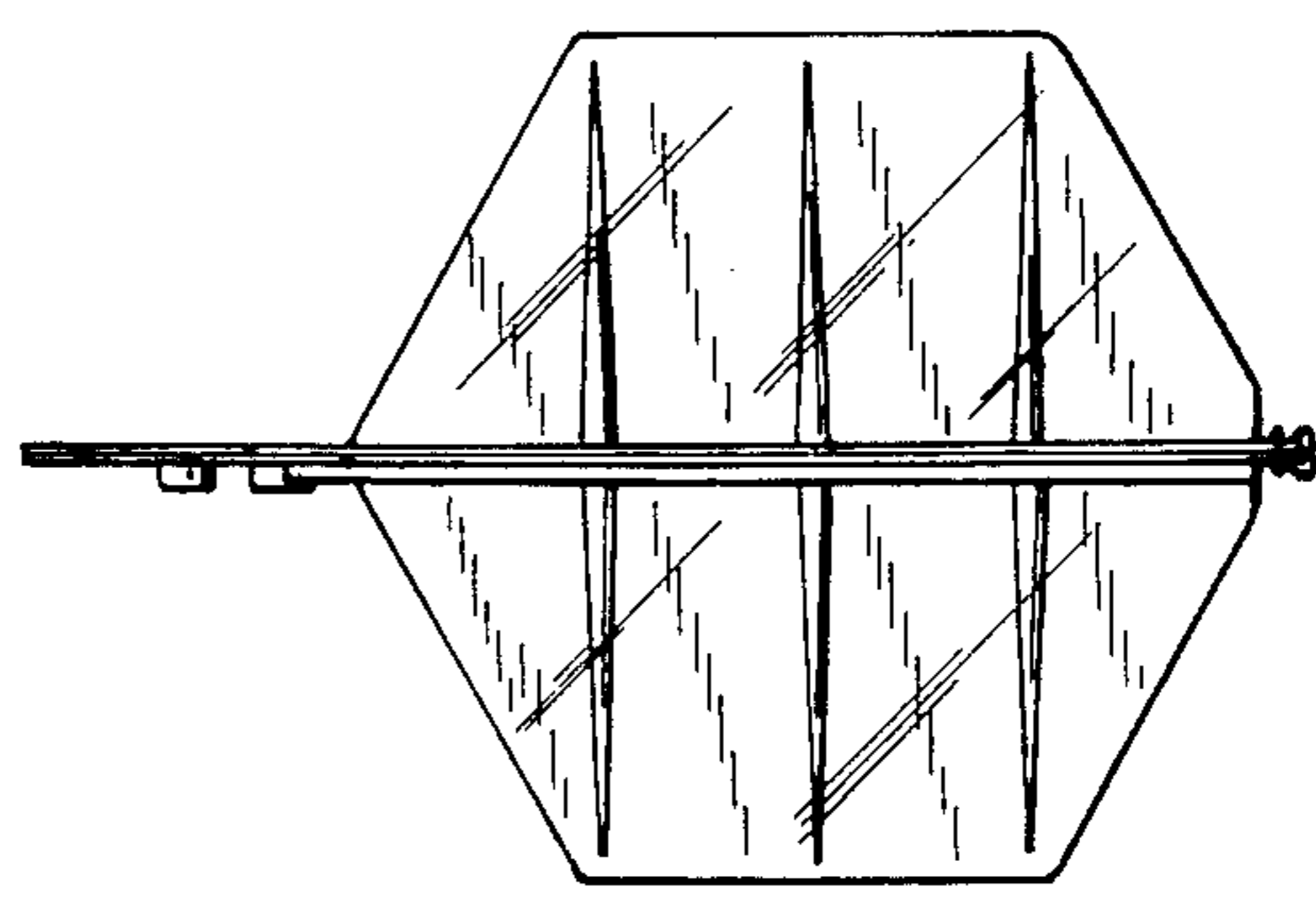


FIG. 6

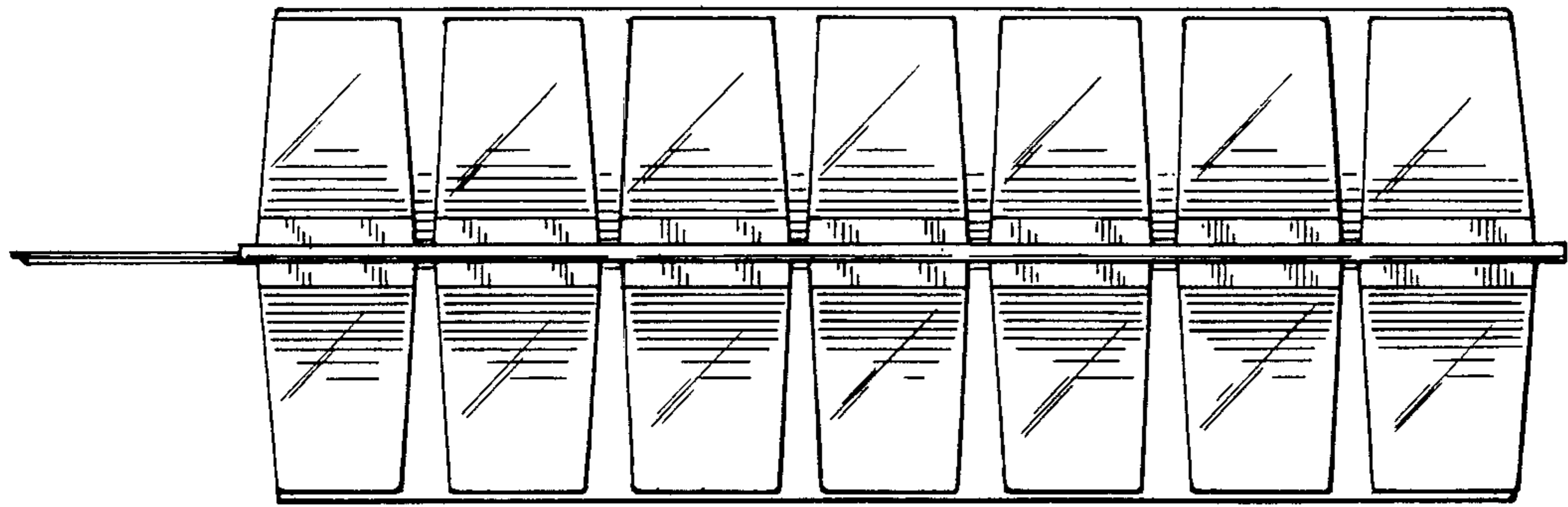


FIG. 7

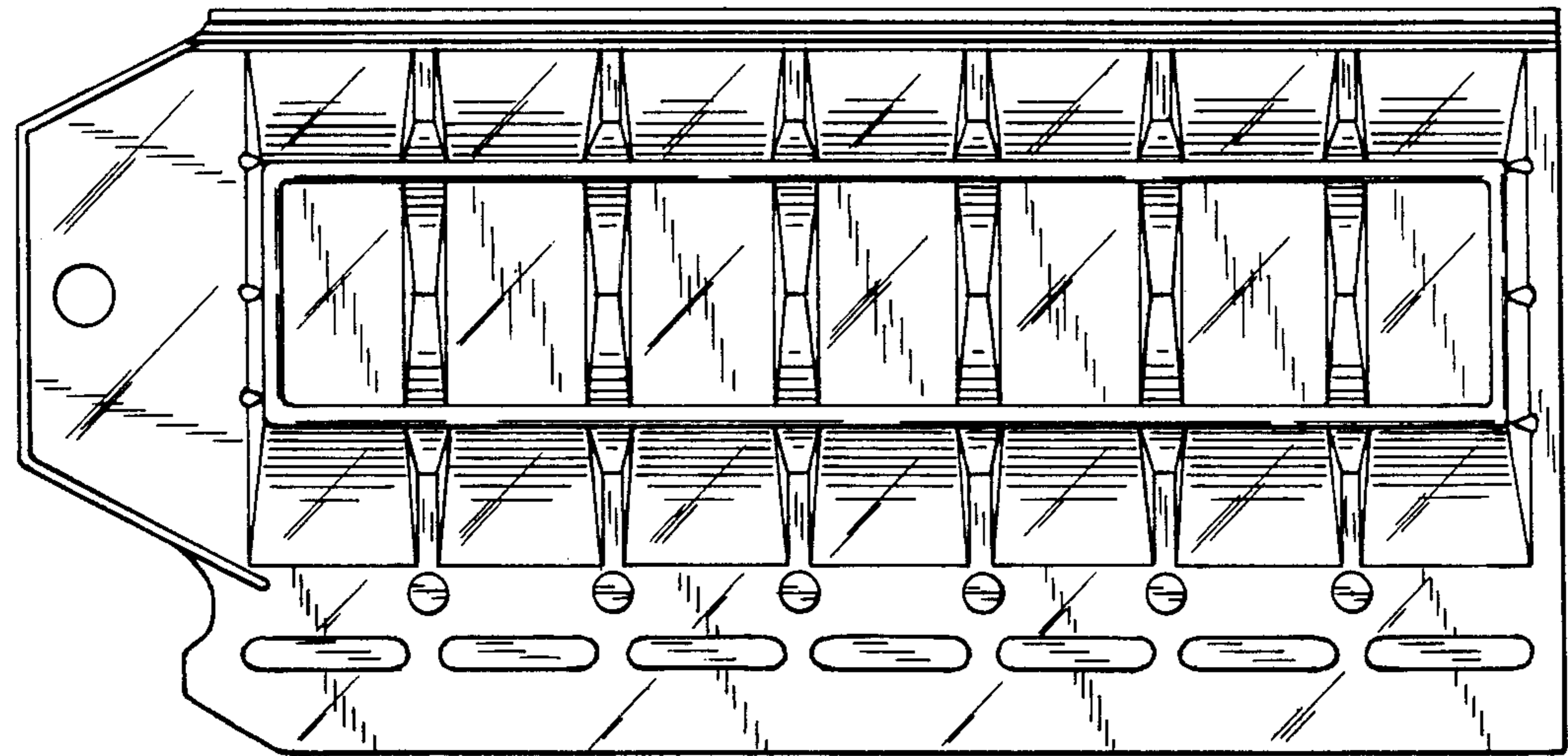


FIG. 8

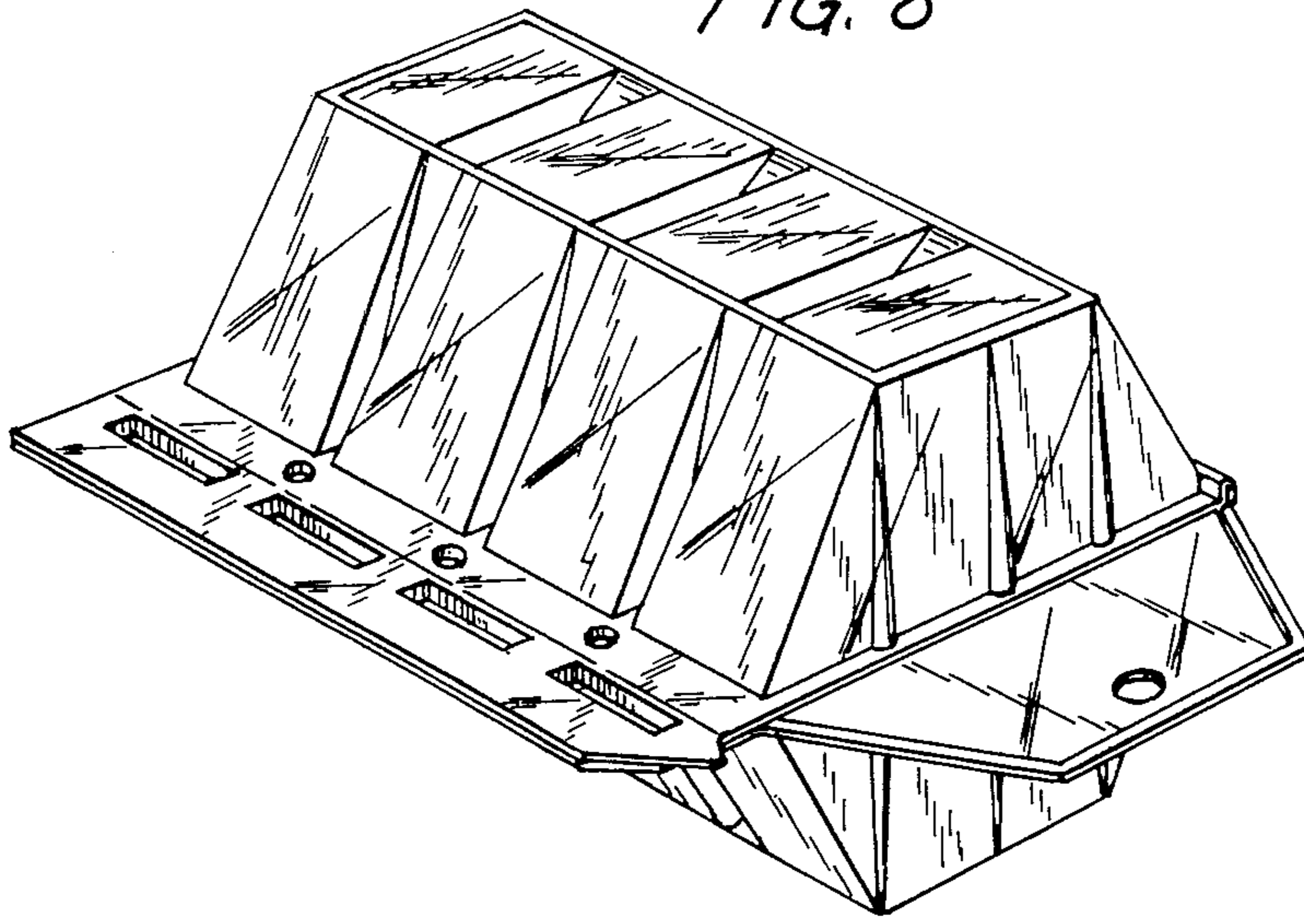


FIG. 9

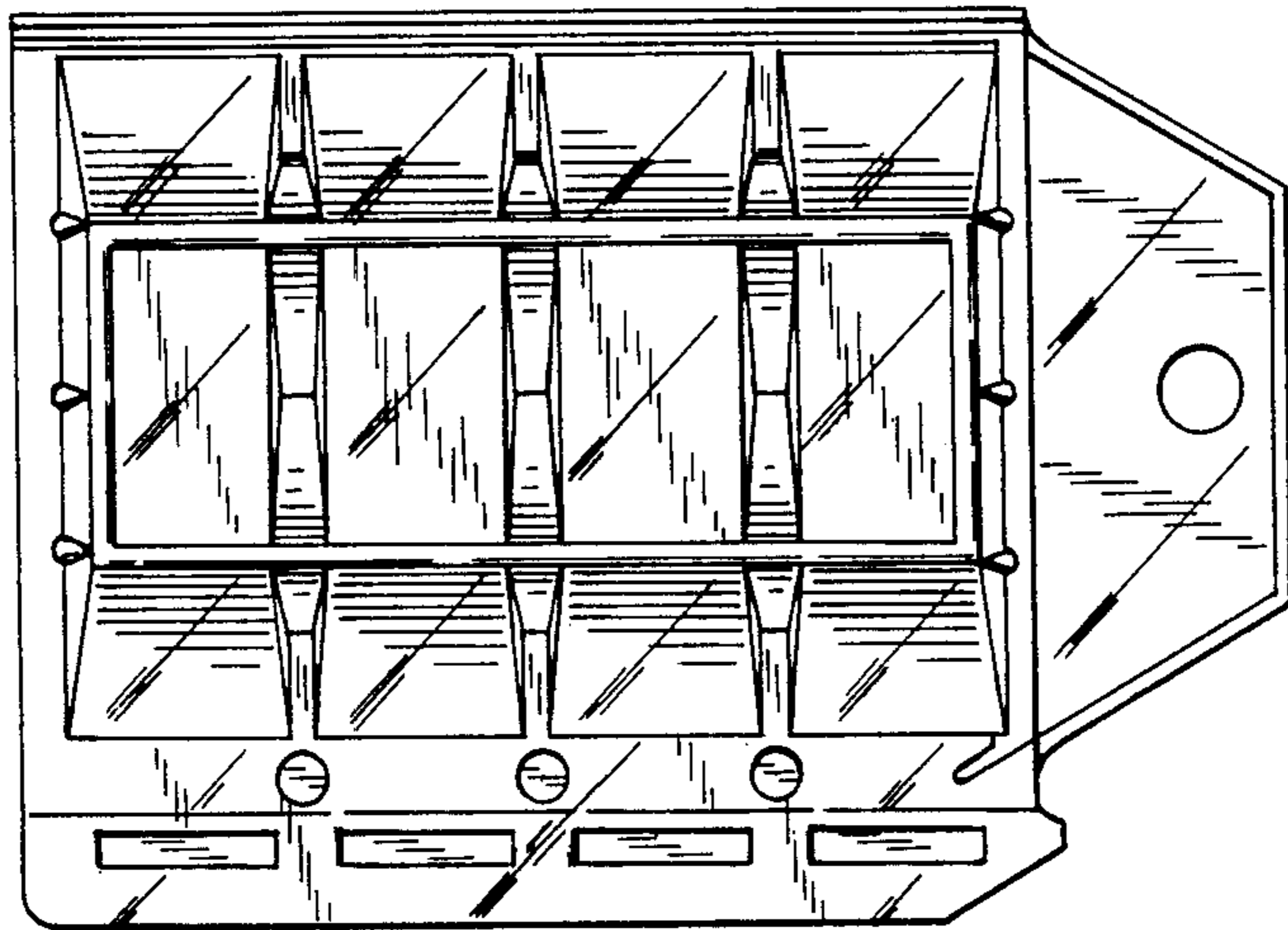


FIG. 10

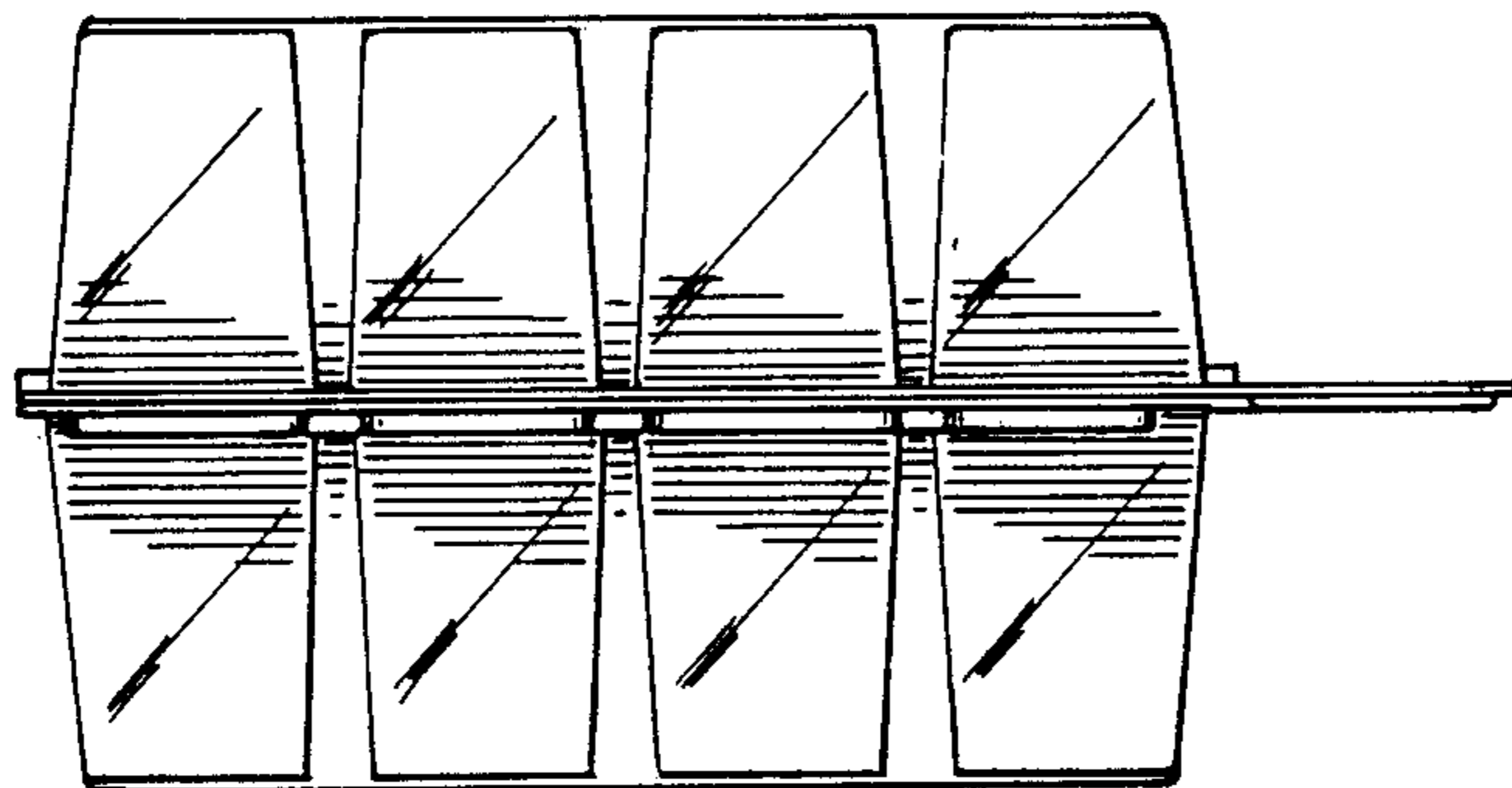


FIG. 11

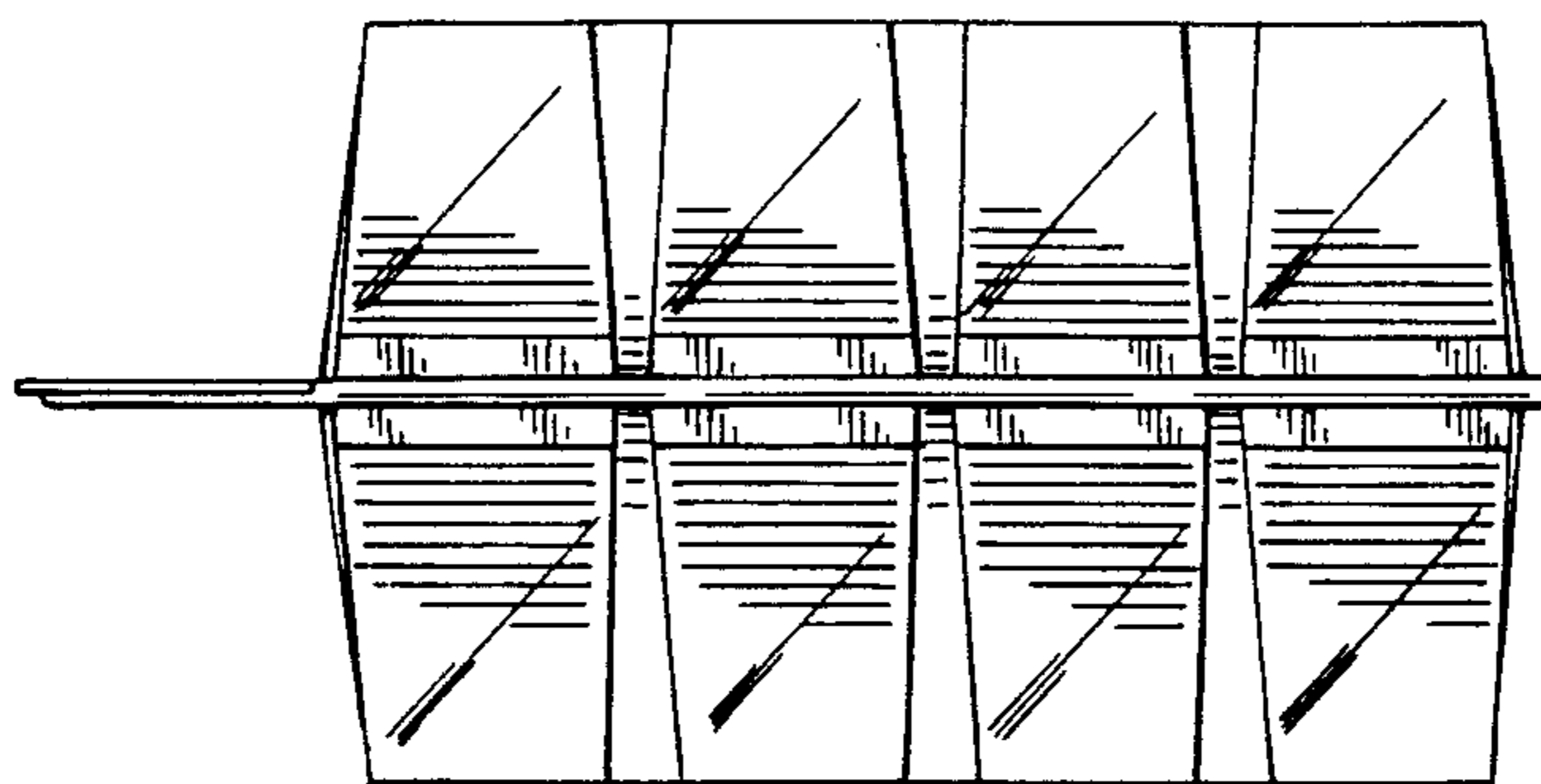


FIG. 12

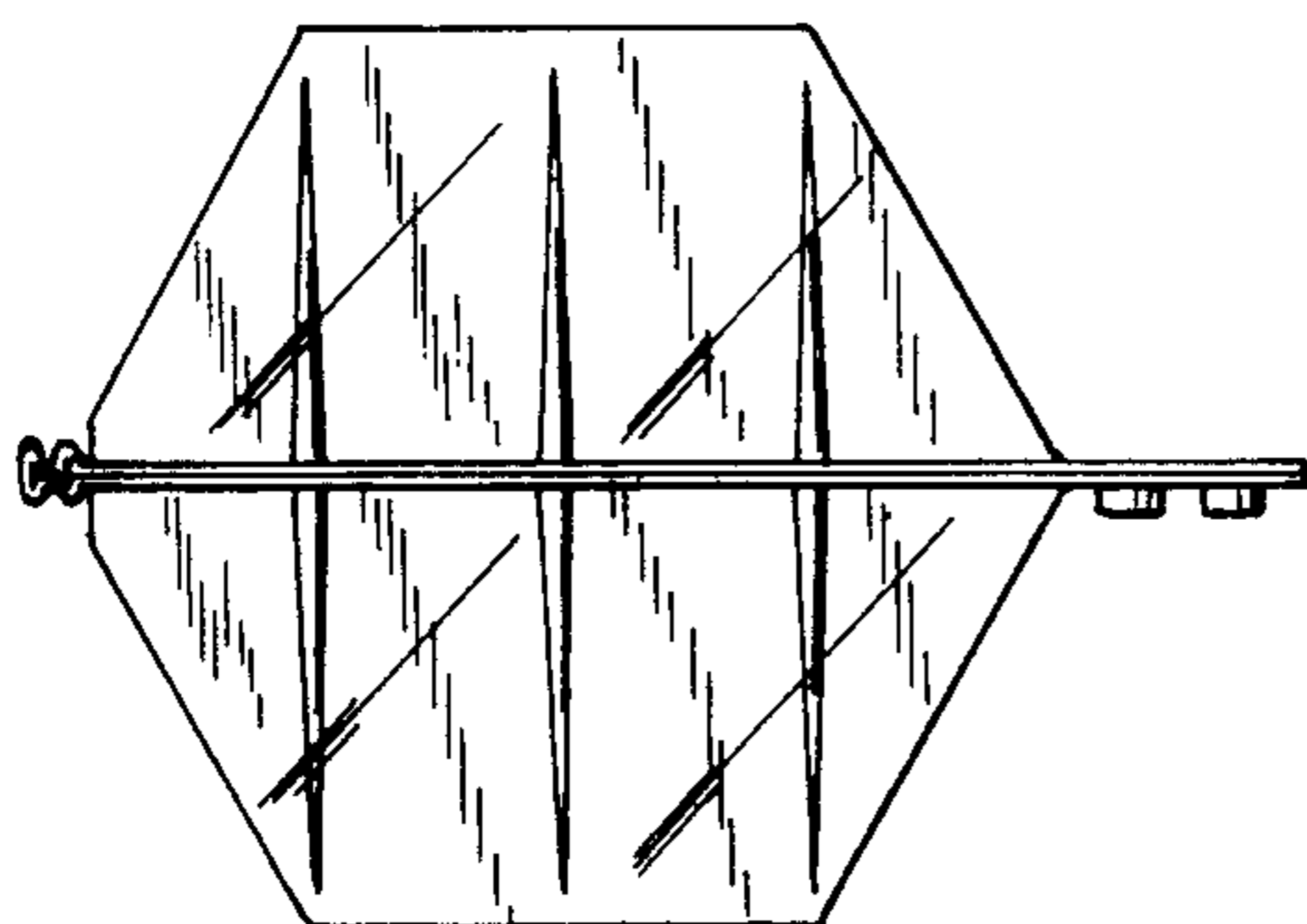


FIG. 13

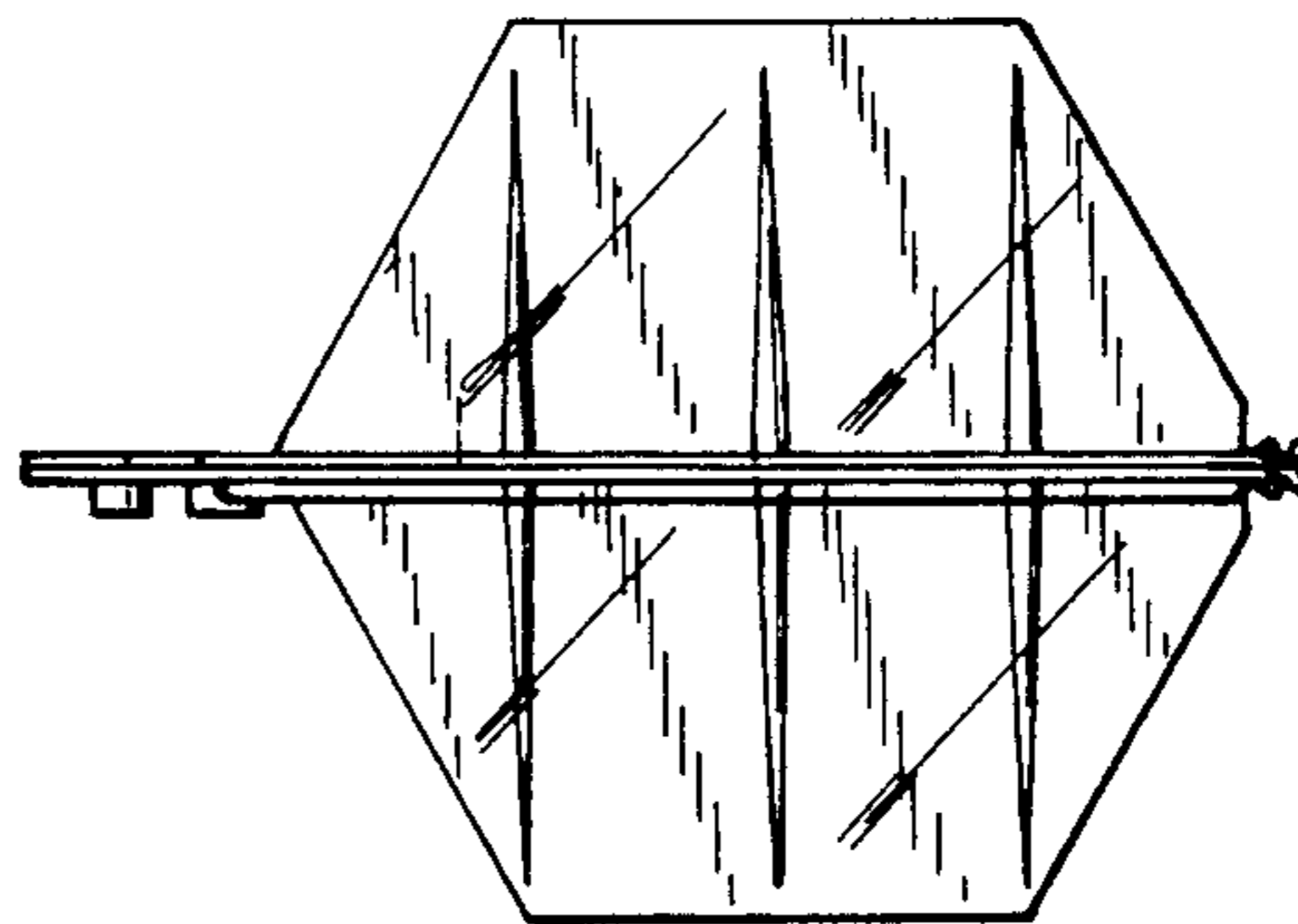


FIG. 14

