

[54] EGG-CUTTER

[75] Inventors: Hans Forrer; Max Wegmüller, both of Lyss, Switzerland

[73] Assignee: K. Zysset & Co. AG, Lyss, Switzerland

[**] Term: 14 Years

[21] Appl. No.: 594,946

[22] Filed: July 10, 1975

[30] Foreign Application Priority Data

Mar. 14, 1975 Switzerland 60649/75

[51] Int. Cl. D7-04

[52] U.S. Cl. D7/106

[58] Field of Search D8/51-53, D8/55-57; D83/12 R; D7/99-106; 30/120.1, 120.4, 124, 125

[56] References Cited

U.S. PATENT DOCUMENTS

875,419 12/1907 Fleischmann 30/120.1
1,372,111 3/1921 Van Melsen 30/120.1

FOREIGN PATENT DOCUMENTS

451,208 7/1936 United Kingdom 30/124

OTHER PUBLICATIONS

Tableware International, May, 1974, p. 30, egg cutter shown in top panel.

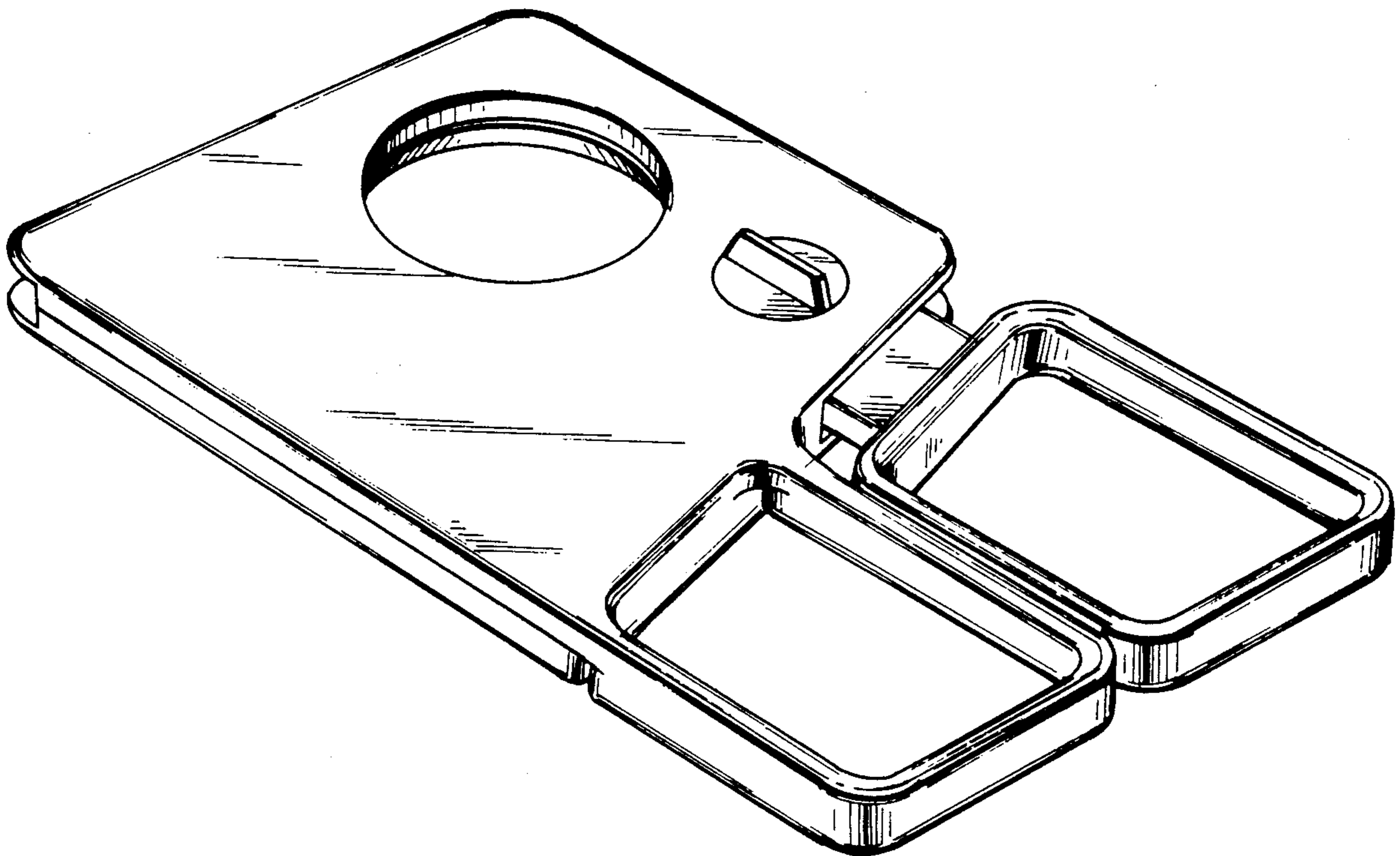
Primary Examiner—Winifred E. Herrmann
Attorney, Agent, or Firm—David Toren

[57] CLAIM

The ornamental design for an egg-cutter, as shown.

DESCRIPTION

FIG. 1 is a perspective top view of an egg-cutter embodying our new design;
FIG. 2 is a side elevation seen from the near side of FIG. 1;
FIG. 3 is an end elevation;
FIG. 4 is a side elevation seen from the far side of FIG. 1;
FIG. 5 is a bottom plan view; and
FIG. 6 is a perspective view of the inside.



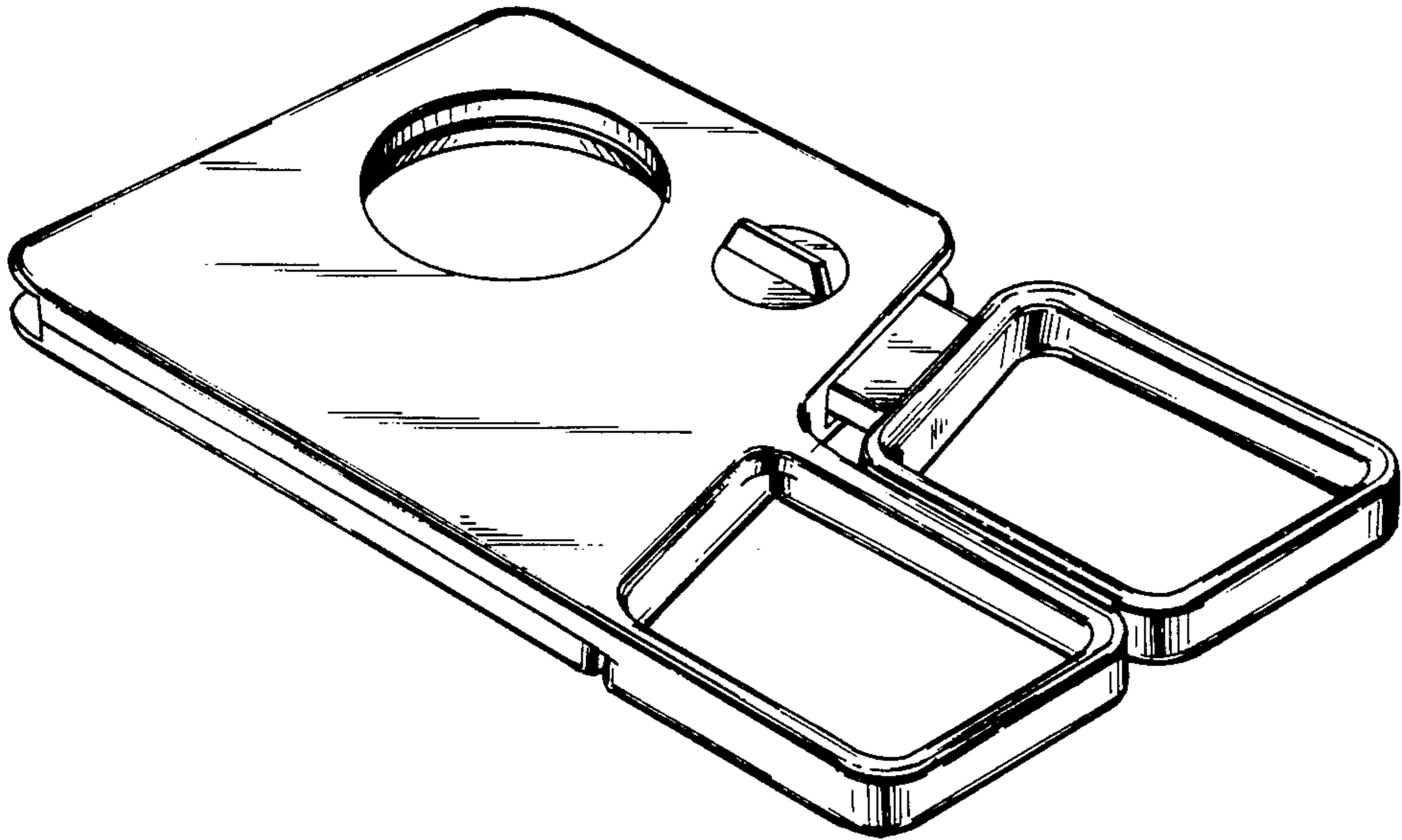


FIG. 1

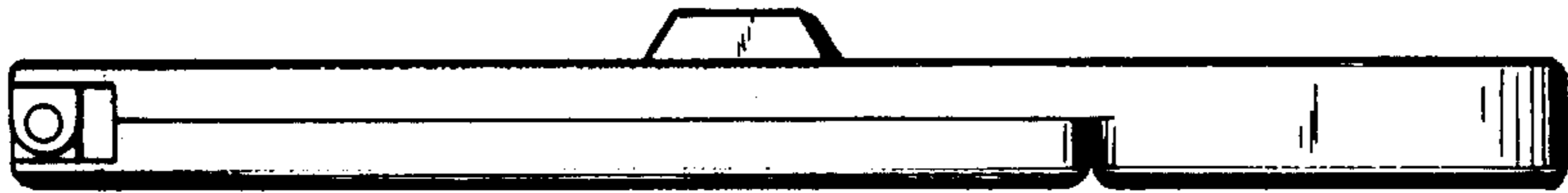


FIG. 2



FIG. 3



FIG. 4

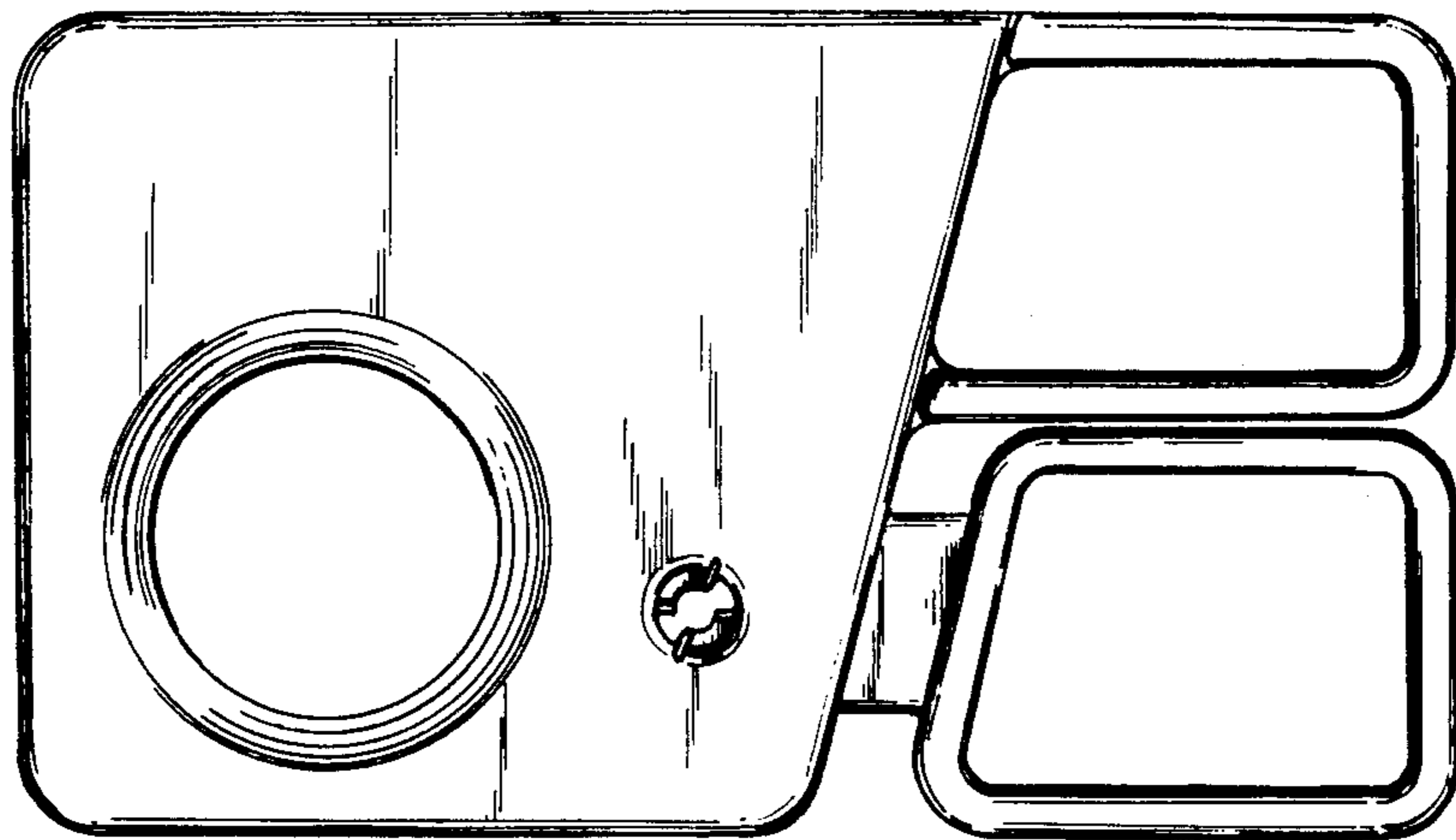


FIG. 5

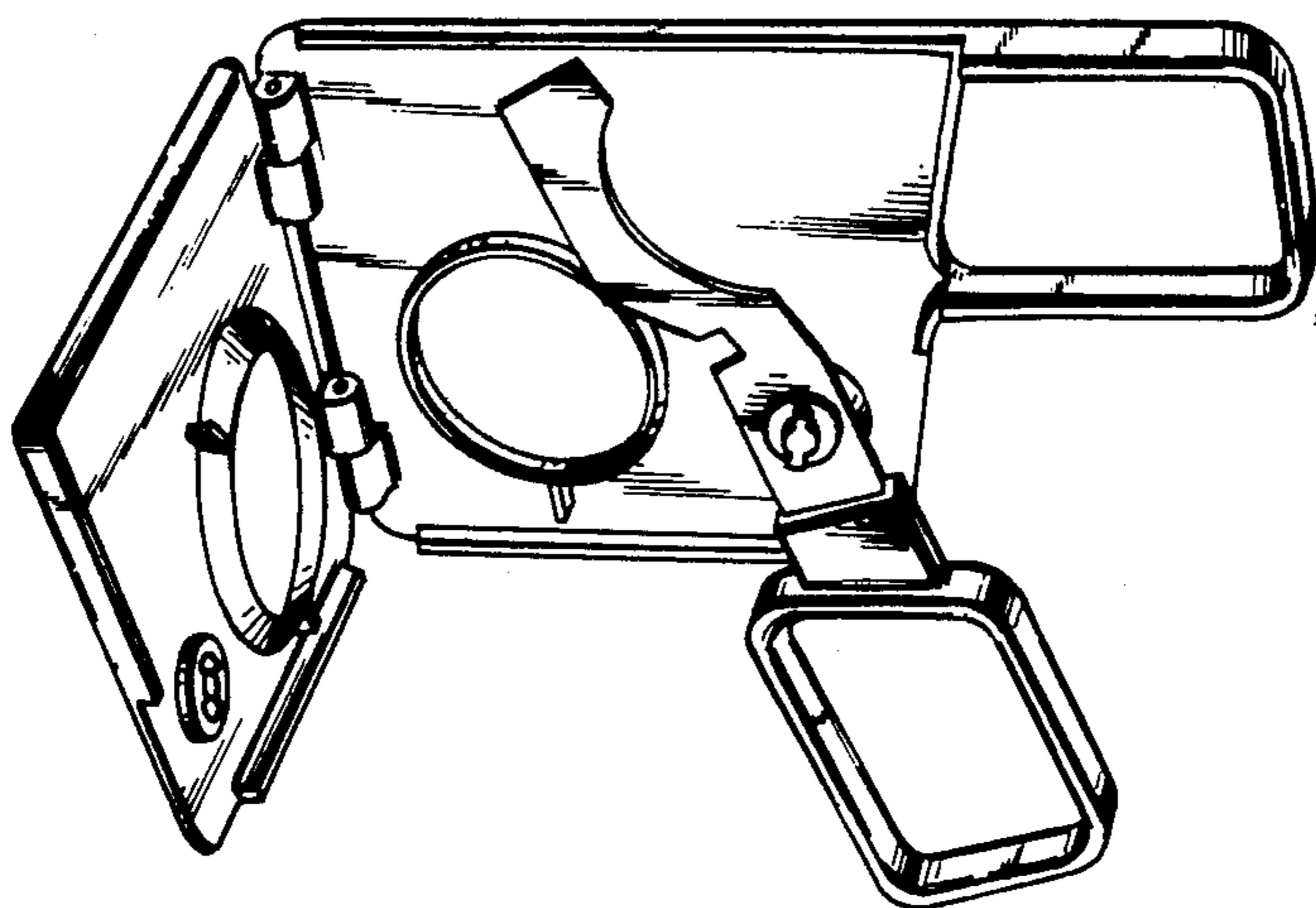


FIG. 6