

[54] DISPLAY STAND

[76] Inventor: **Thomas H. Naylor**, 1221 W. Lehigh Place, Englewood, Colo. 80110

[**] Term: **14 Years**

[21] Appl. No.: **653,466**

[22] Filed: **Jan. 29, 1976**

[51] Int. Cl. **D20-02; D6-04**

[52] U.S. Cl. **D6/188**

[58] Field of Search **D6/85, 141, 146, 157, D6/177, 179, 181, 182, 183, 184, 186, 187, 188, 189; 211/13, 34, 36, 42, 126, 128, 134, 135, 144, 163**

[56]

References Cited

U.S. PATENT DOCUMENTS

1,827,008	10/1931	Huckel	211/134
2,758,000	8/1956	Berry et al.	211/134
D. 154,674	8/1949	Gochenour	D6/181

Primary Examiner—Wallace R. Burke
Assistant Examiner—B. J. Bullock
Attorney, Agent, or Firm—H. Gordon Shields

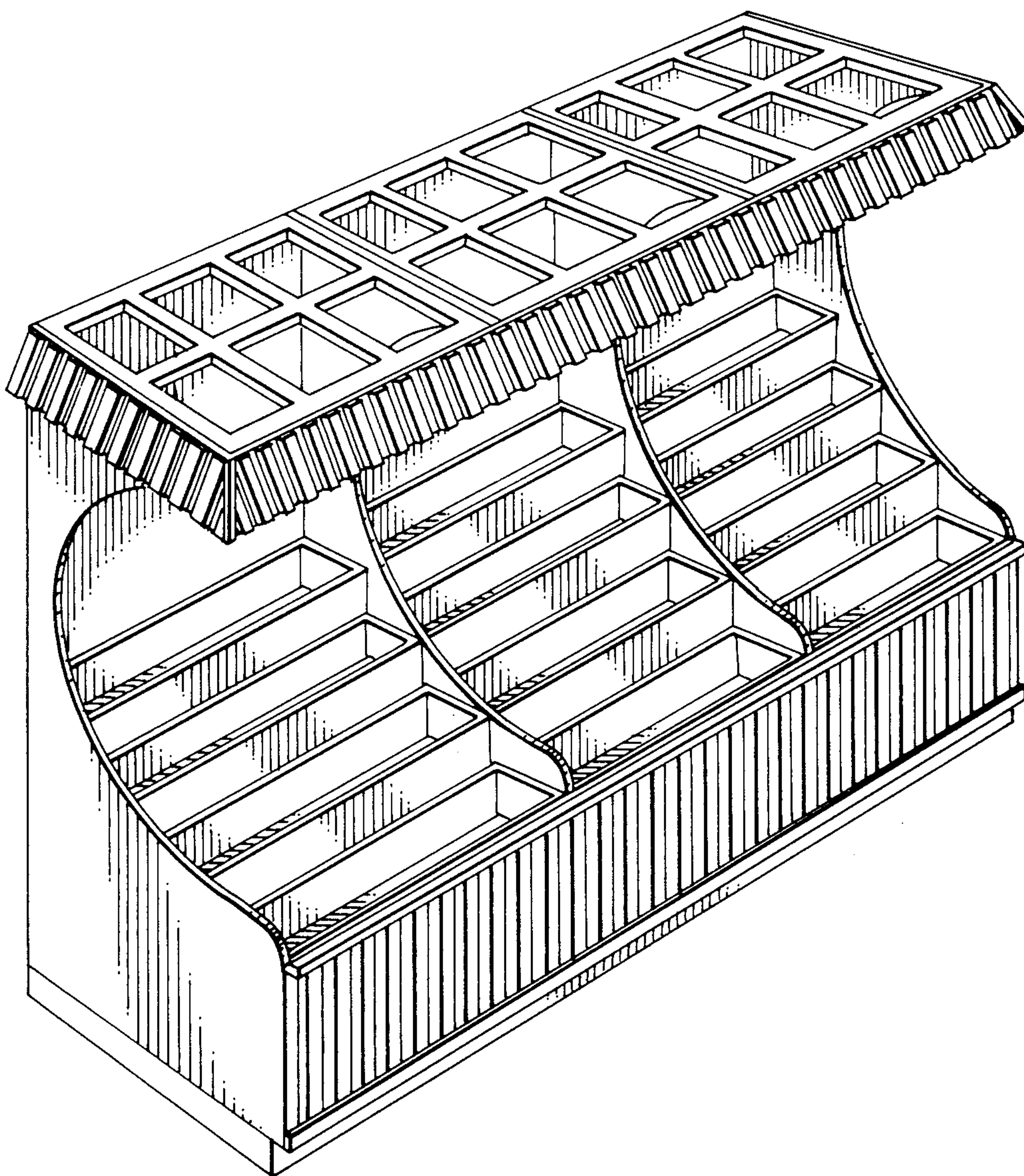
[57]

CLAIM

The ornamental design for a display stand, as shown.

DESCRIPTION

FIG. 1 is a top right front perspective view of a display apparatus showing my new design;
FIG. 2 is a side elevational view thereof;
FIG. 3 is a front elevational view thereof; and
FIG. 4 is a left bottom perspective view thereof.



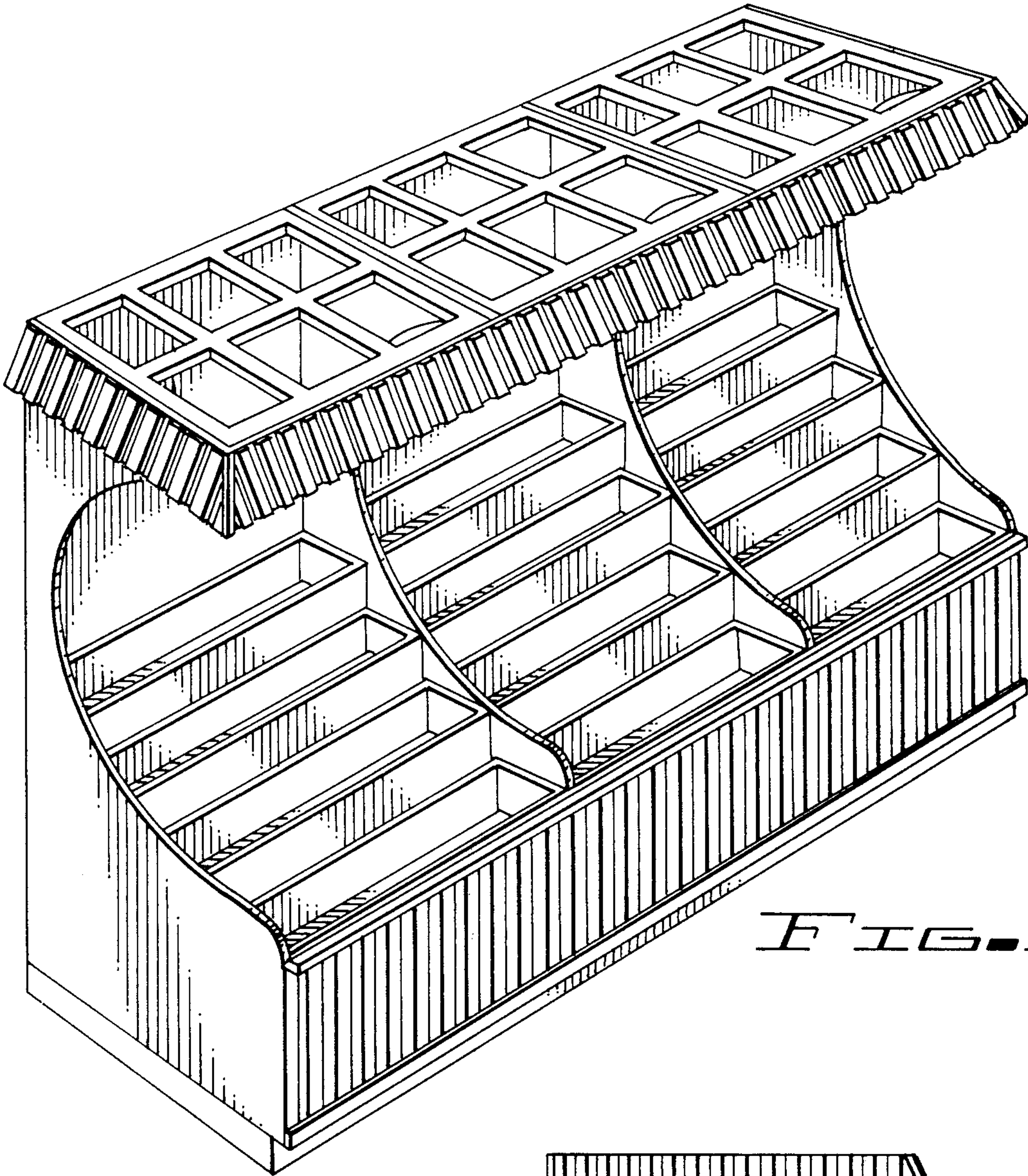
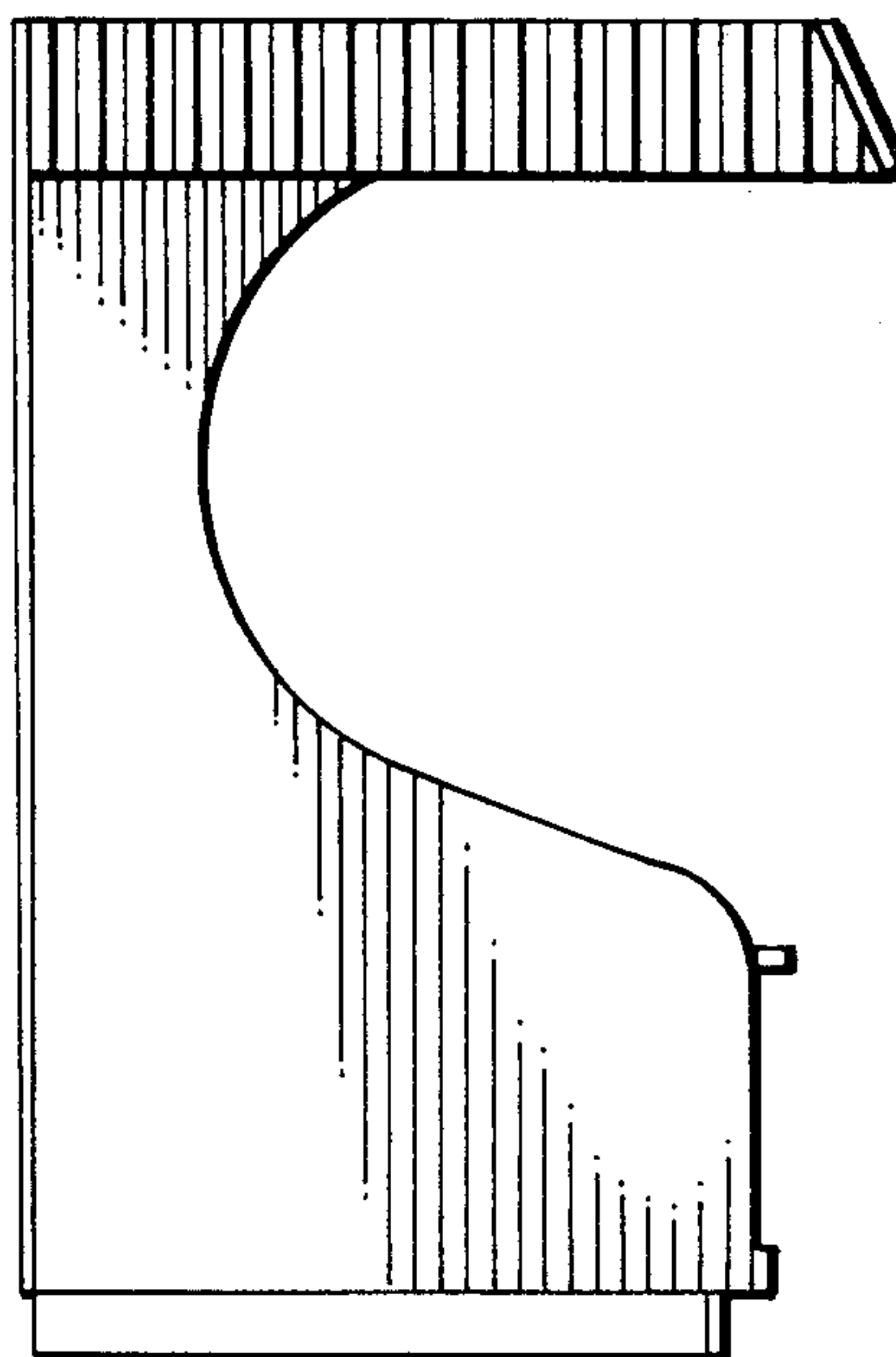


FIG. 1

FIG. 2



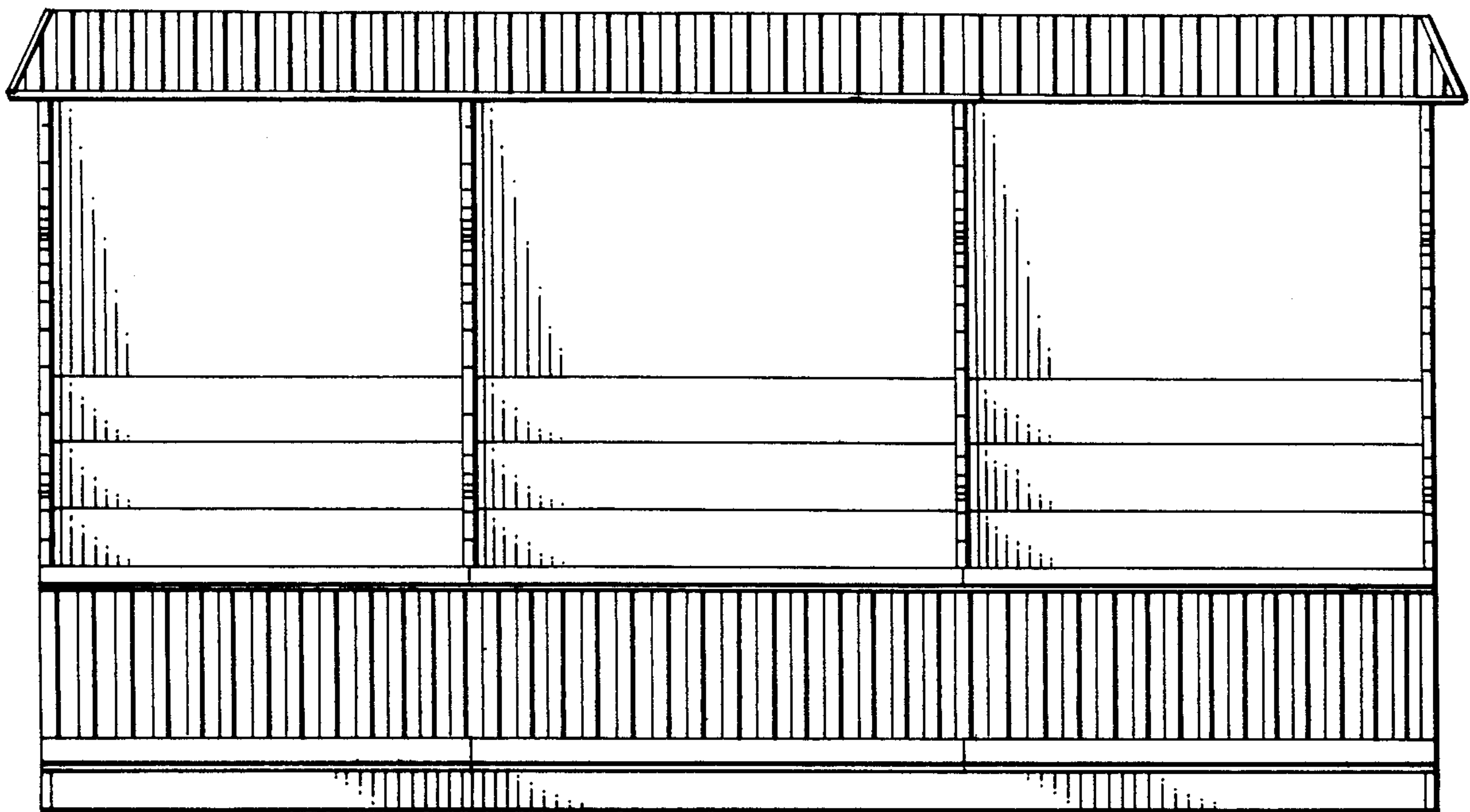


FIG. 3

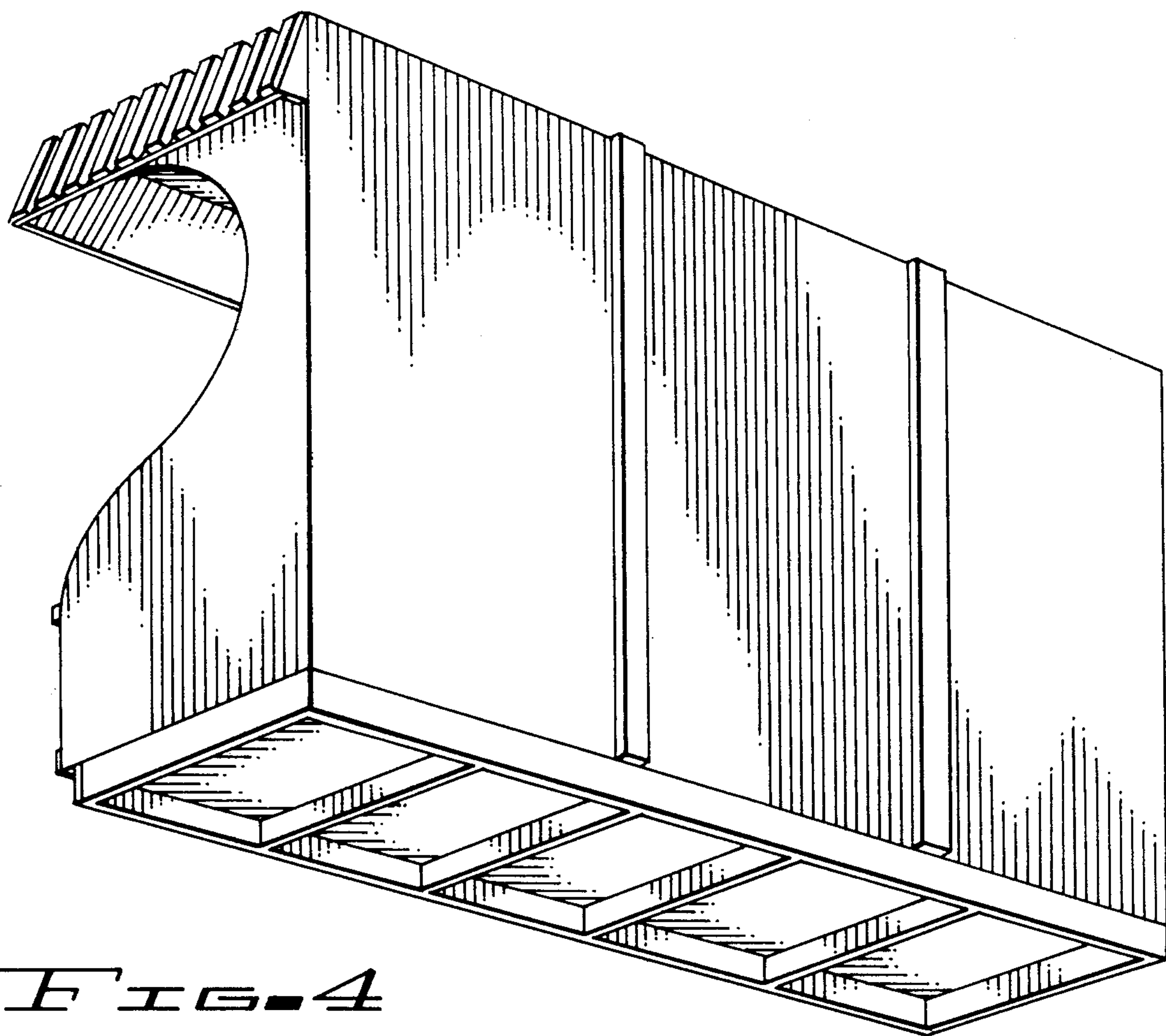


FIG. 4