

[54] PLANT STAND

[75] Inventor: Richard D. Dilyard, Wooster, Ohio

[73] Assignee: Rubbermaid Incorporated, Wooster, Ohio

[\*\*] Term: 14 Years

[21] Appl. No.: 685,084

[22] Filed: May 10, 1976

[51] Int. Cl. .... D6-04

[52] U.S. Cl. .... D6/182

[58] Field of Search ..... D6/20, 23-29, D6/85, 113, 137, 141, 146, 157, 177, 179-189; D35/3 C, 3 A; 47/39; 211/13, 126, 128, 134, 135, 144; 108/92, 93

[56] References Cited

U.S. PATENT DOCUMENTS

1,667,913	5/1928	Weston	.....	211/126
2,110,034	3/1938	Bales et al.	.....	211/128
2,147,759	2/1939	Sulentie	.....	211/128
3,858,529	1/1975	Salladay	.....	211/163

Primary Examiner—Wallace R. Burke  
Assistant Examiner—B. J. Bullock  
Attorney, Agent, or Firm—E. R. Hamilton

[57] CLAIM

The ornamental design for a plant stand, as shown and described.

DESCRIPTION

FIG. 1 is a reduced perspective view of a rectangular plant stand showing my new design.

FIG. 2 is a side elevational view, the side opposite being identical.

FIG. 3 is a front elevational view, the rear being identical.

FIG. 4 is an enlarged sectional view taken on line 4-4 of FIG. 3.

FIG. 5 is a perspective view of a second embodiment of the design of FIG. 1, the only difference being the presence of the legs.

The upper and lower trays are identical except for the presence of the transverse grooves in the bottom surface of the lower tray.

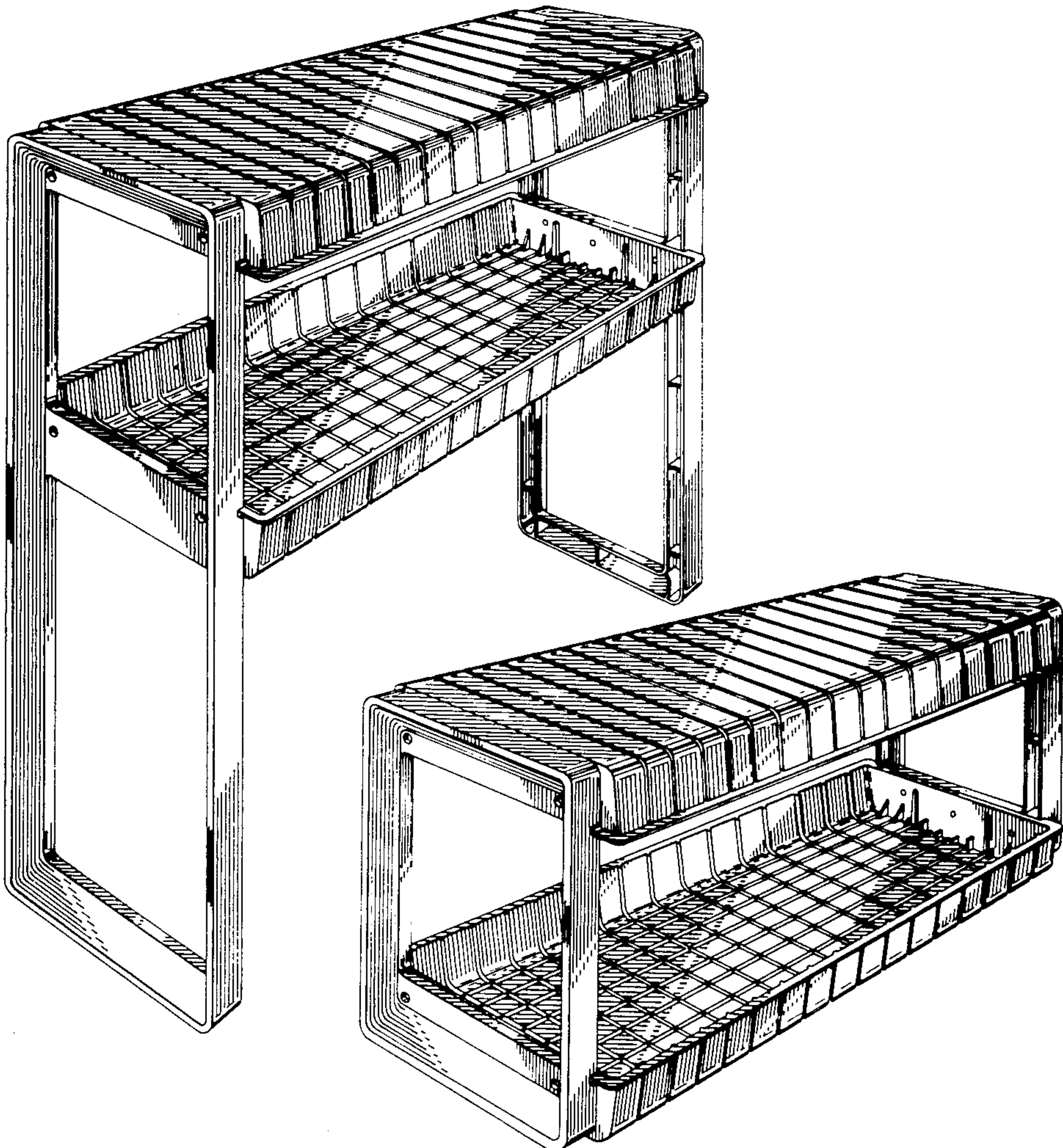




FIG. 1

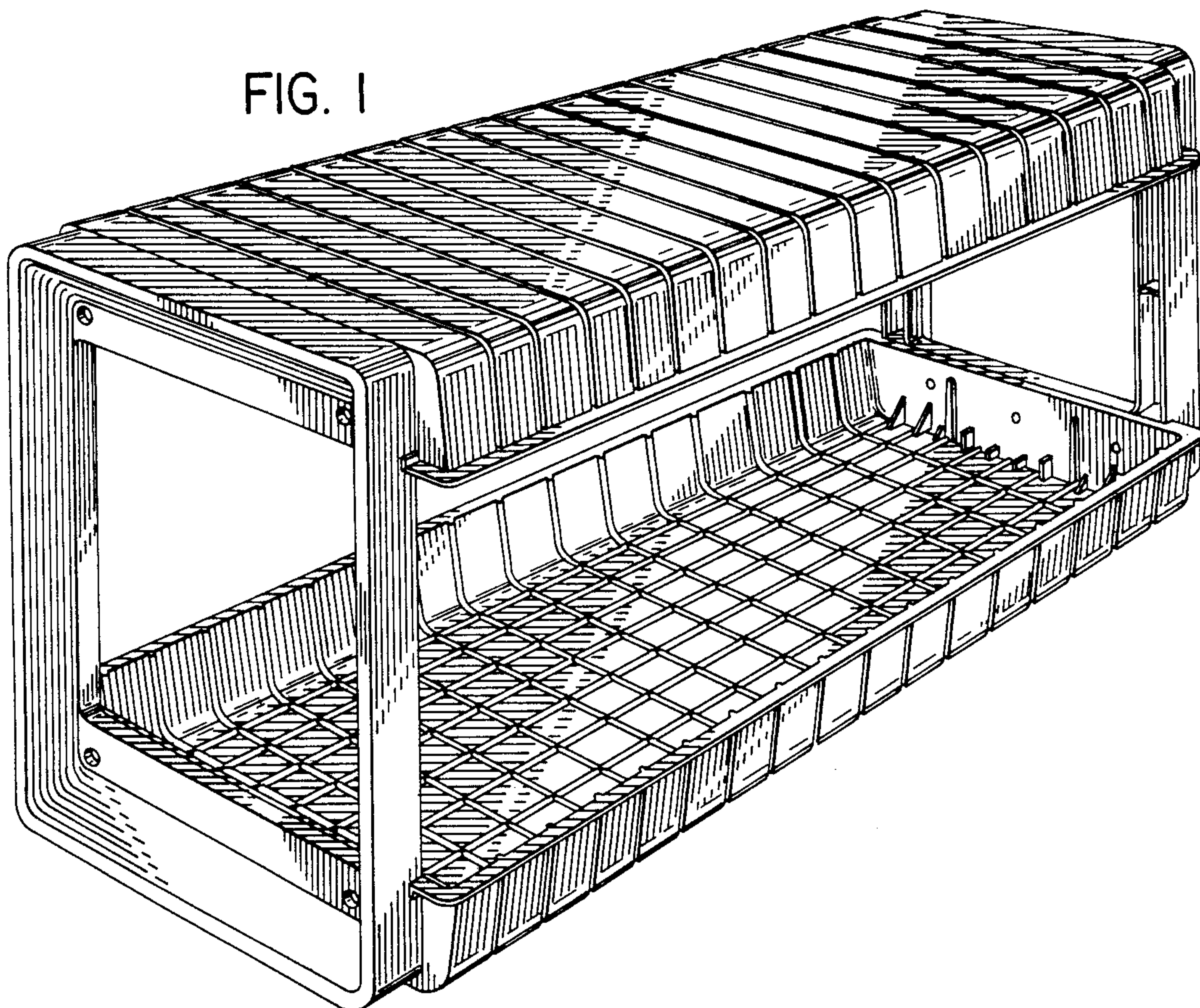
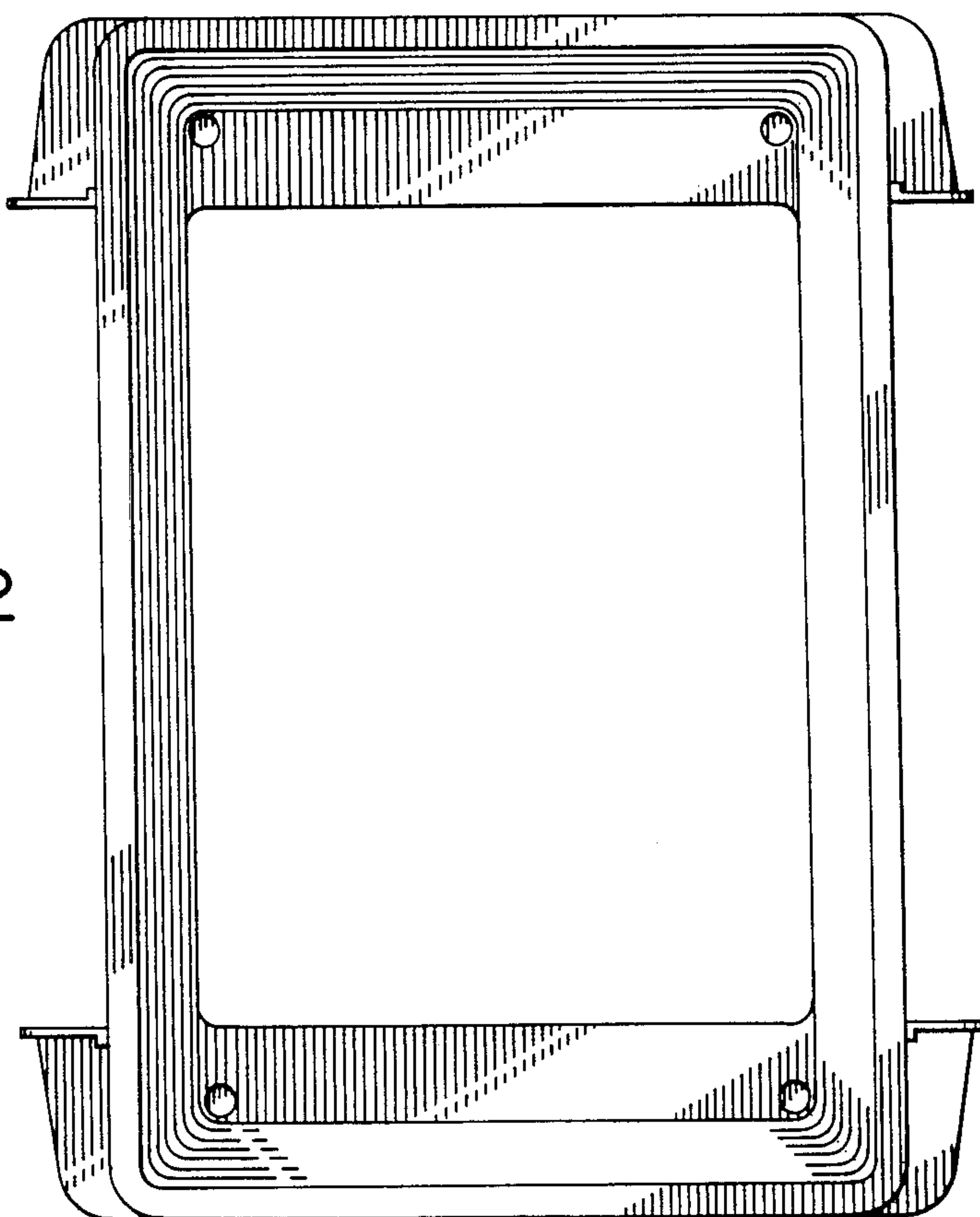


FIG. 2



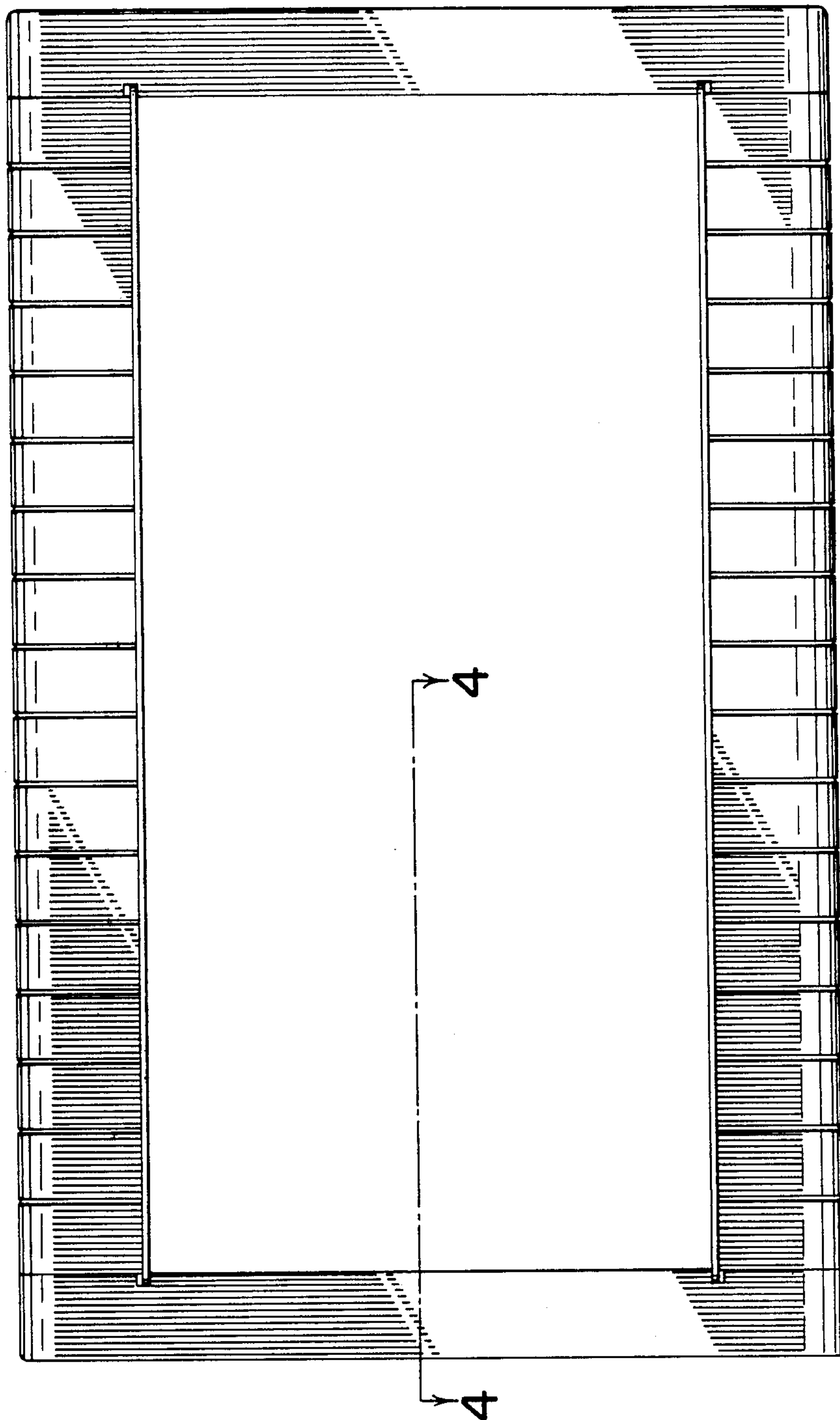


FIG. 3

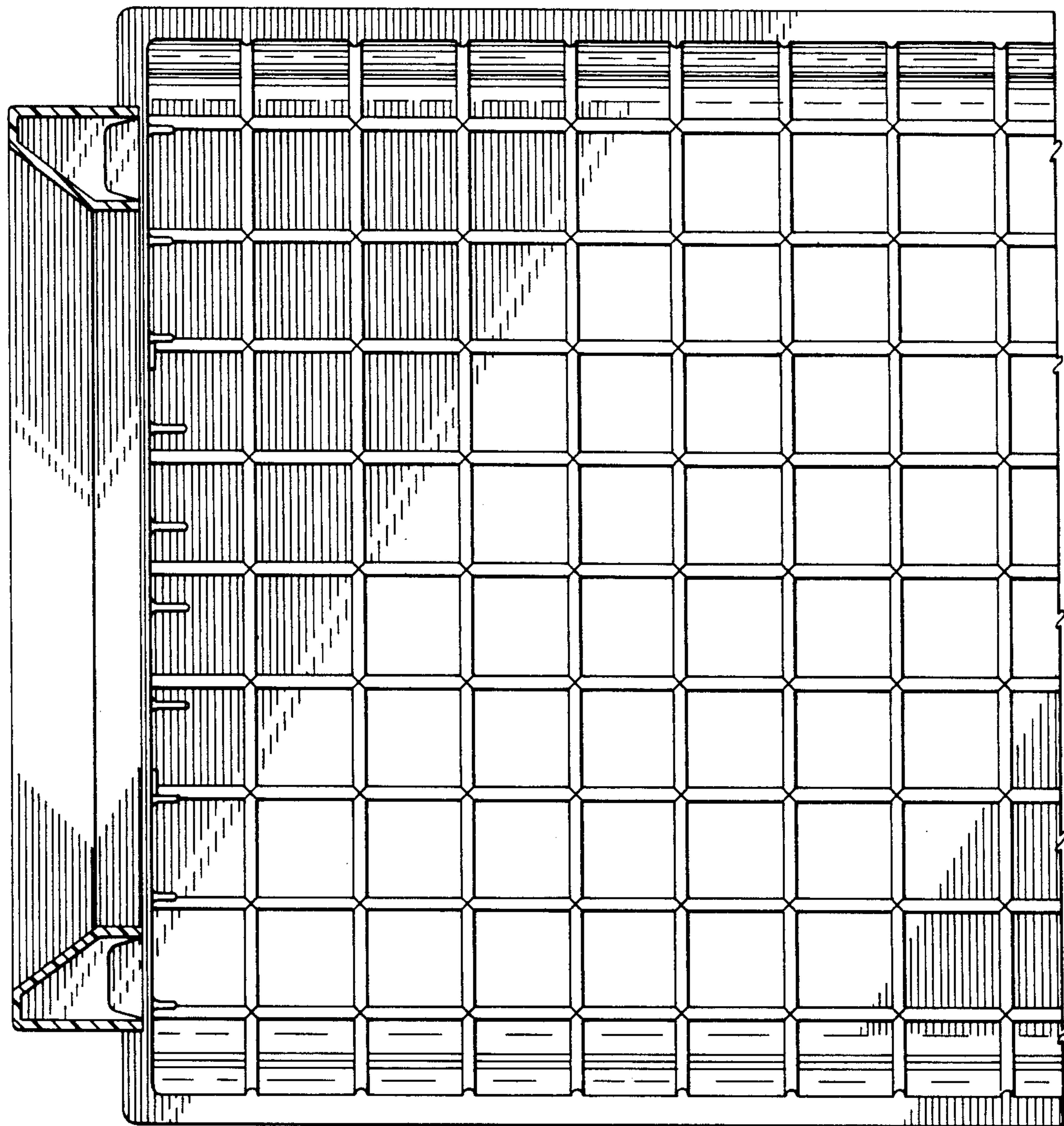


FIG. 4



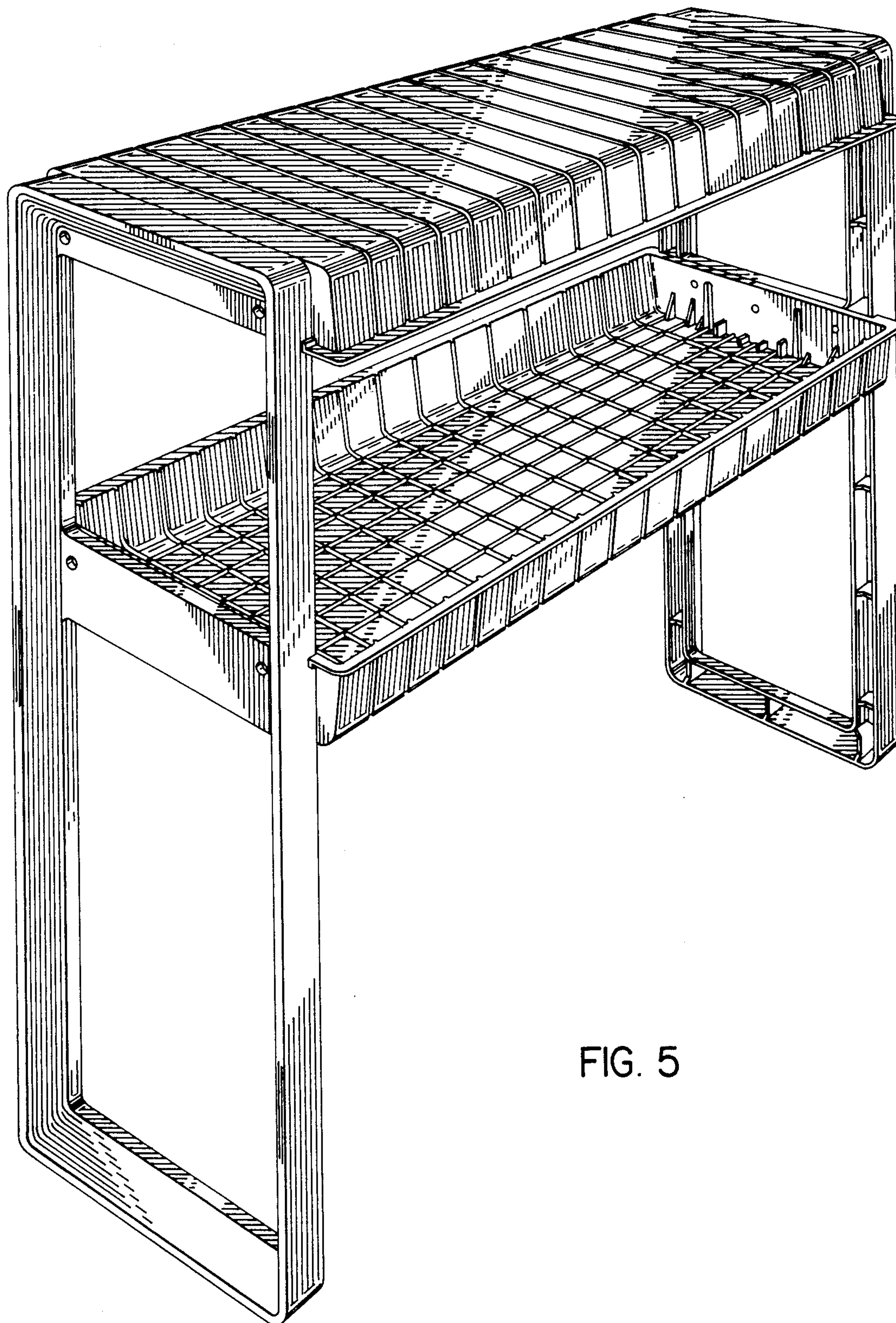


FIG. 5