

[54] TABLE

[75] Inventor: Paul J. Neff, Mississauga, Canada  
[73] Assignee: Neff Kitchen Manufacturers Limited,  
Brampton, Canada  
[\*\*] Term: 14 Years  
[21] Appl. No.: 597,251  
[22] Filed: July 18, 1975  
[30] Foreign Application Priority Data  
June 12, 1975 Canada ..... 1206757  
[51] Int. Cl. .... D6-03  
[52] U.S. Cl. .... D6/177  
[58] Field of Search ..... D6/146-149,  
D6/175, 177-179, 158-166

[56]

References Cited

U.S. PATENT DOCUMENTS

D. 188,938 10/1960 Toning ..... D6/177 X  
D. 217,261 4/1970 Gianfagna ..... D6/177  
D. 220,704 5/1971 Kramer ..... D6/177

Primary Examiner—Bruce W. Dunkins  
Attorney, Agent, or Firm—David M. Rogers

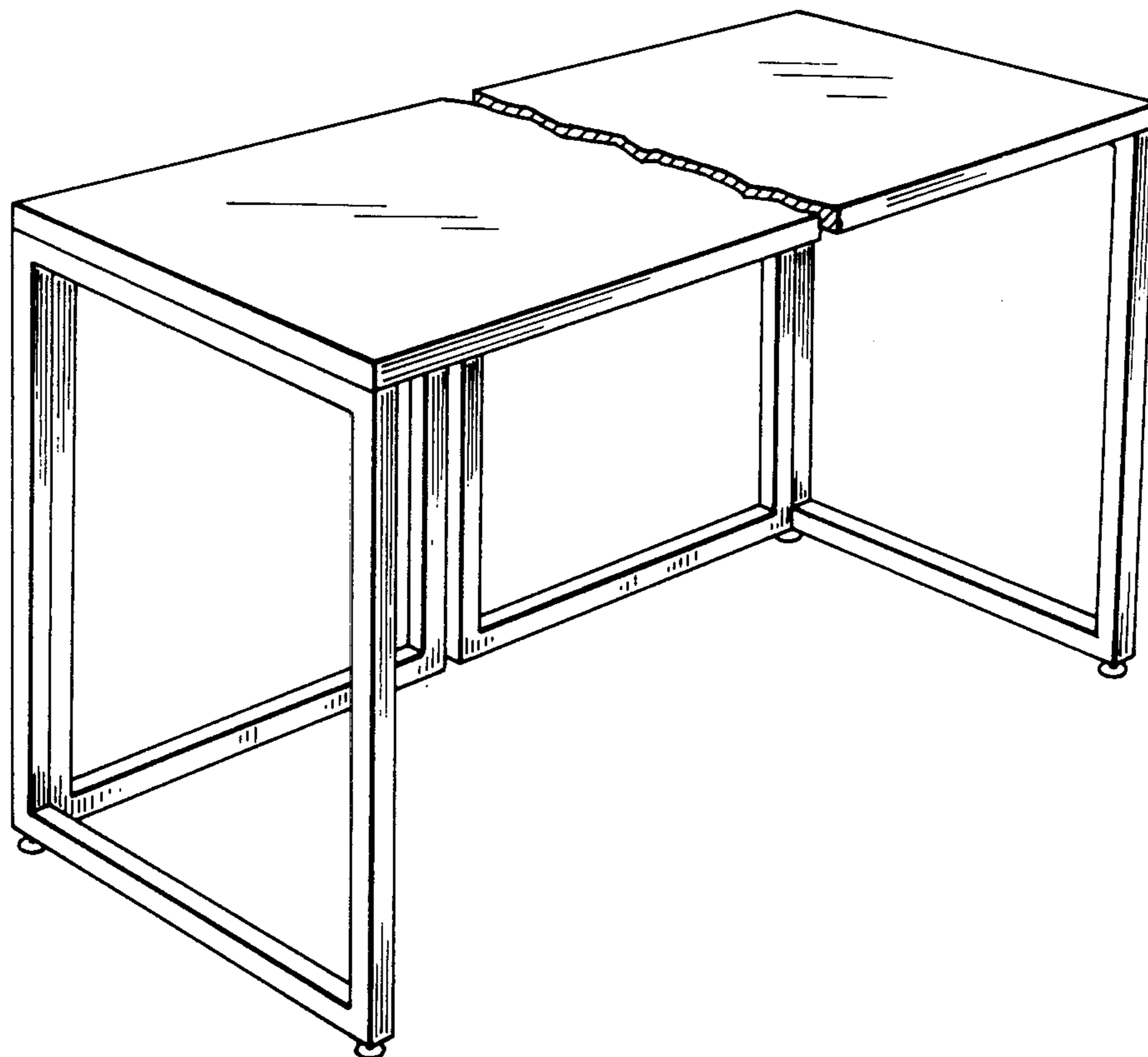
[57]

CLAIM

The ornamental design for a table, as shown and described.

DESCRIPTION

FIG. 1 is a perspective view of a table showing my design and,  
FIG. 2 is a perspective view corresponding to FIG. 1 from the opposite end and side, and viewed from below.  
The table is shown broken away at the center to indicate indeterminate length.



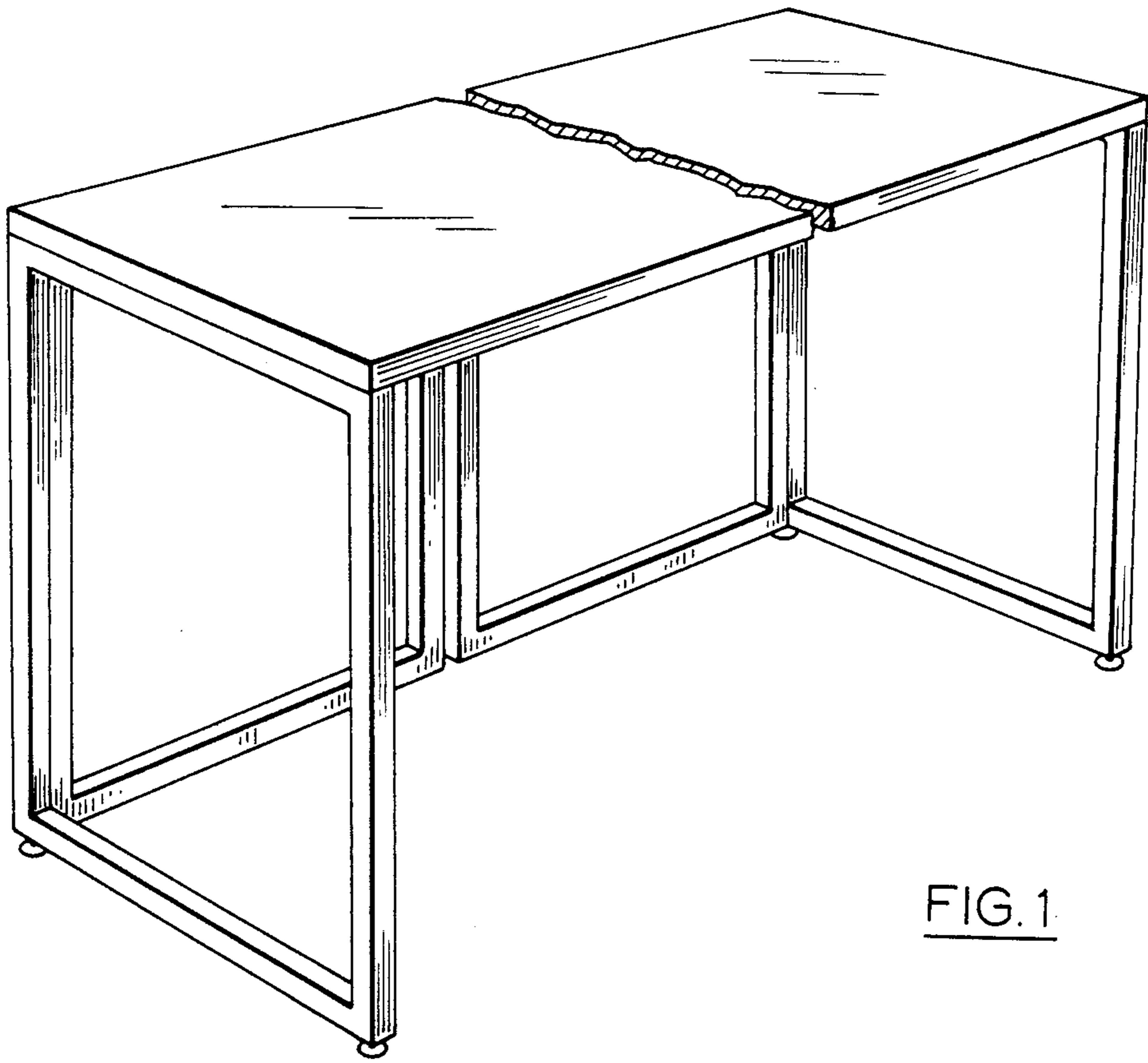


FIG. 1

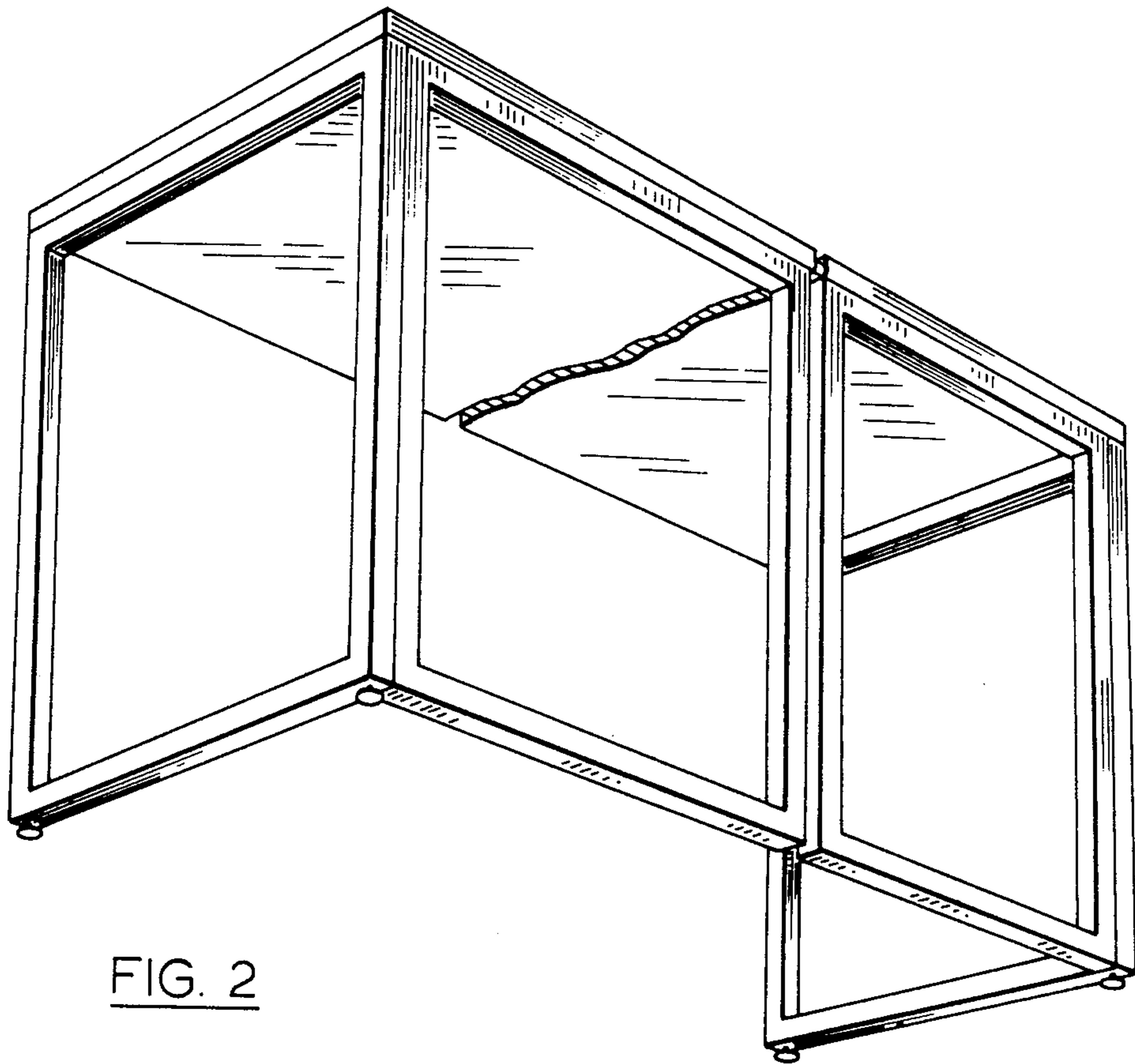


FIG. 2