

[54] TOY VEHICLE

[75] Inventor: Dale I. Goldberg, Cincinnati, Ohio

[73] Assignee: General Mills Fun Group, Inc.,  
Minneapolis, Minn.

[\*\*] Term: 14 Years

[21] Appl. No.: 582,947

[22] Filed: June 2, 1975

[51] Int. Cl. .... D21-01

[52] U.S. Cl. .... D34/15 AJ

[58] Field of Search ..... D34/15 AJ, 15 AT;  
280/1.11 S, 1.19-1.2

[56]

References Cited

U.S. PATENT DOCUMENTS

3,776,353 12/1973 Roth ..... D12/112  
D. 229,986 1/1974 Widgren ..... D12/112

OTHER PUBLICATIONS

Toys & Novelties, 3-1963, p. 205, "Spin-A-Roo,"  
Vehicle.

Ward's Christmas Catalog, 1973, p. 315, items J+K,  
"Big Wheels."

Primary Examiner—Joel Stearman

Assistant Examiner—C. A. Rademaker

Attorney, Agent, or Firm—Gene O. Enockson

[57]

CLAIM

The ornamental design for a toy vehicle, substantially  
as shown.

DESCRIPTION

FIG. 1 is a top plan view of a toy vehicle illustrating  
my new design;

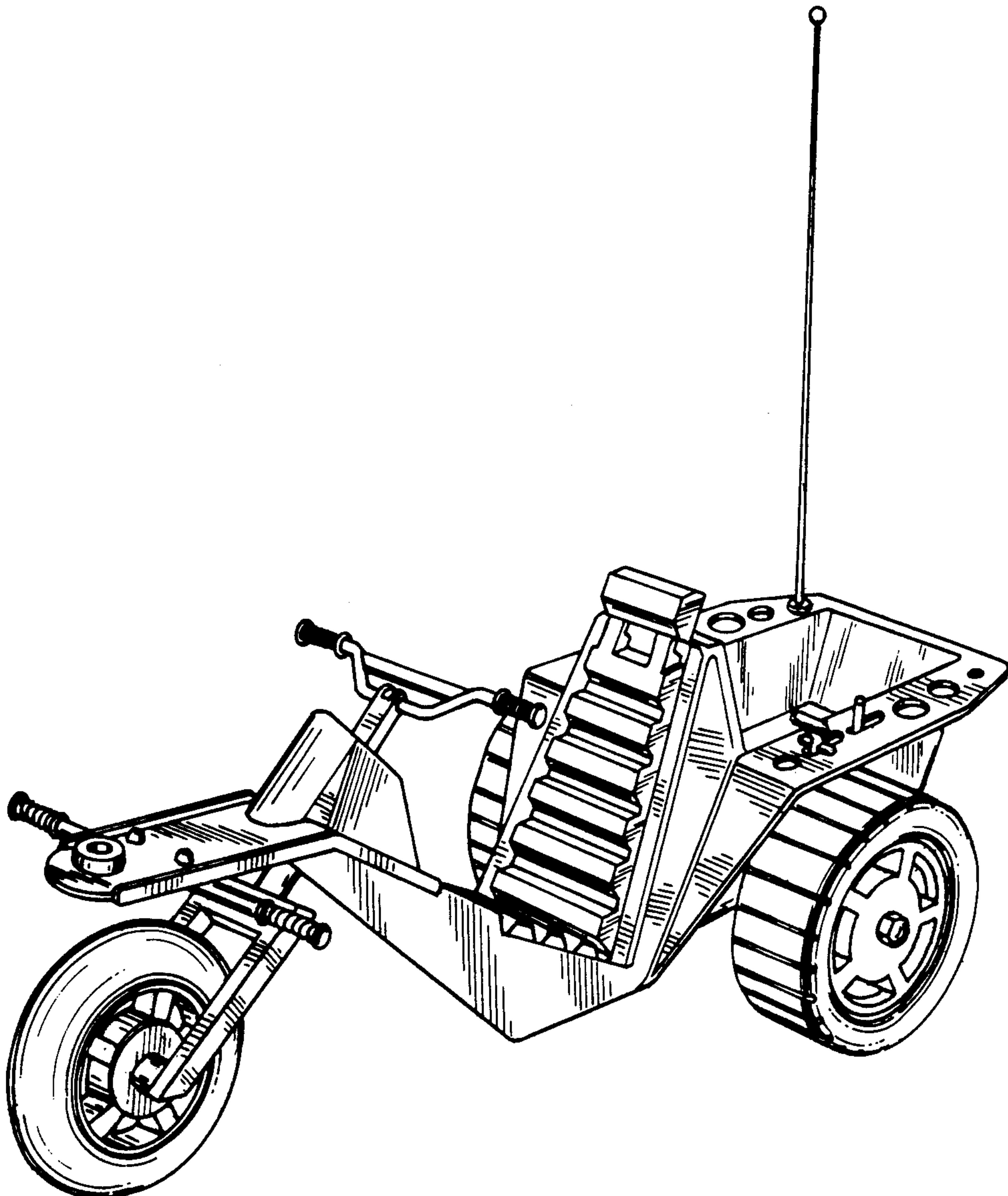
FIG. 2 is a left side elevational view thereof;

FIG. 3 is a right side elevational view thereof;

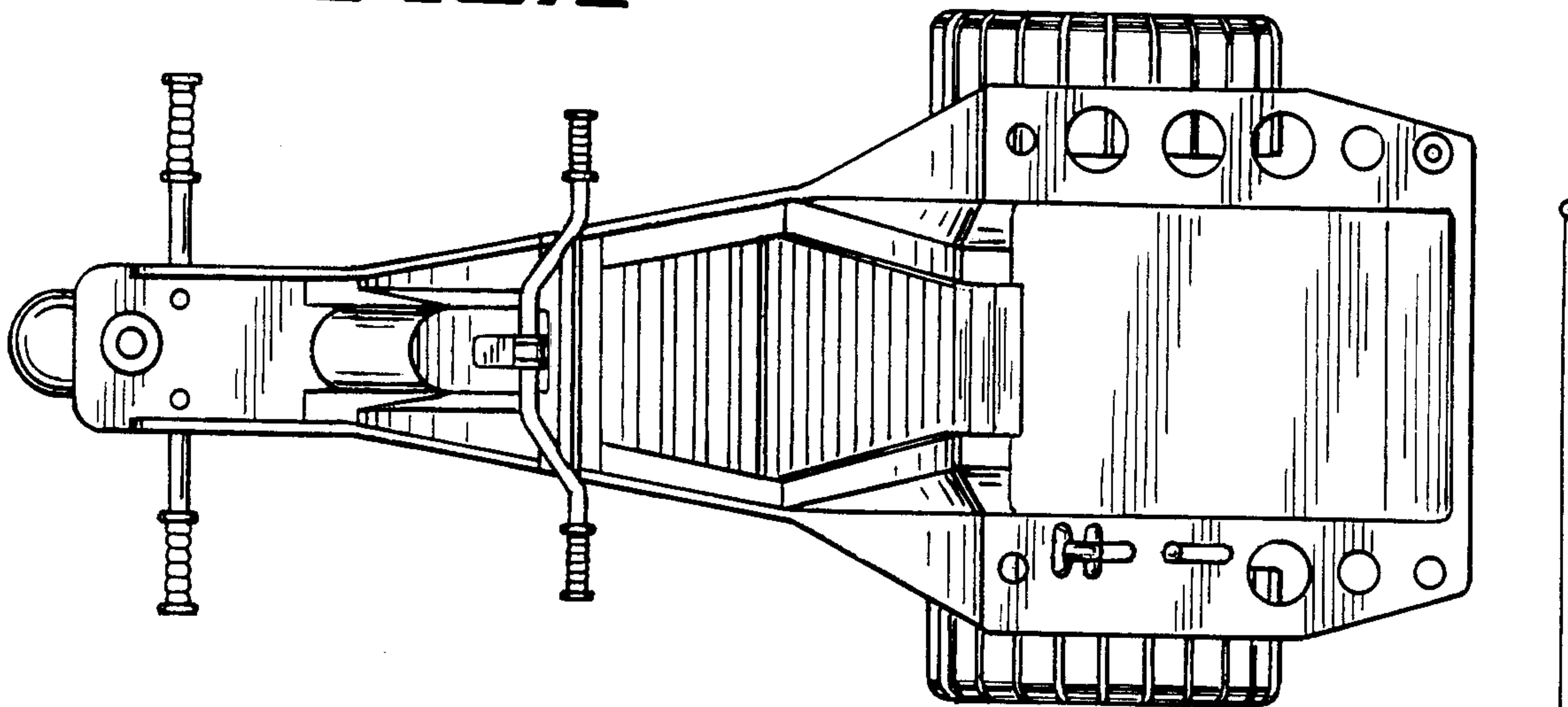
FIG. 4 is a front elevational view thereof;

FIG. 5 is a rear elevational view thereof; and

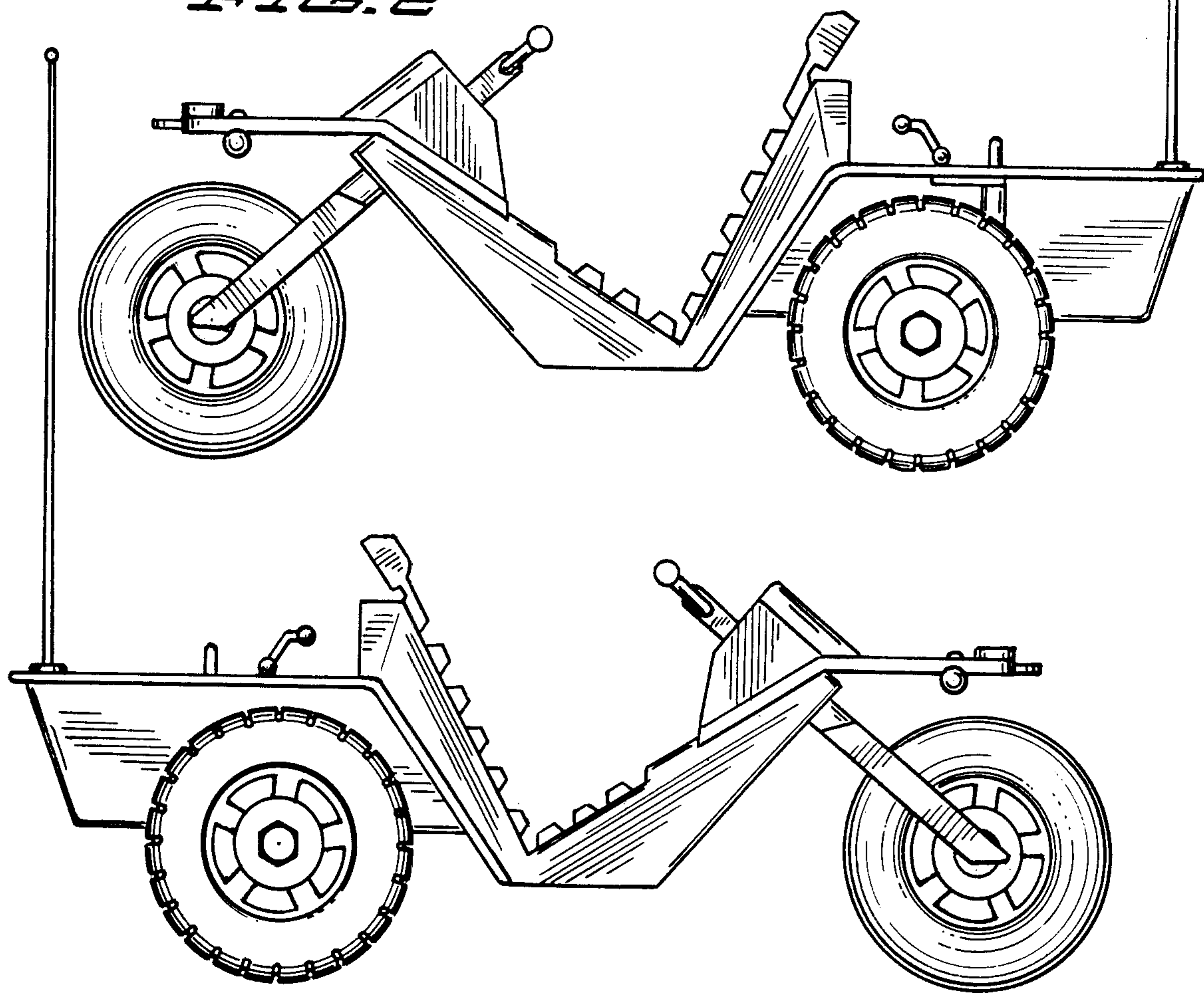
FIG. 6 is a perspective view thereof.



*FIG. 1*

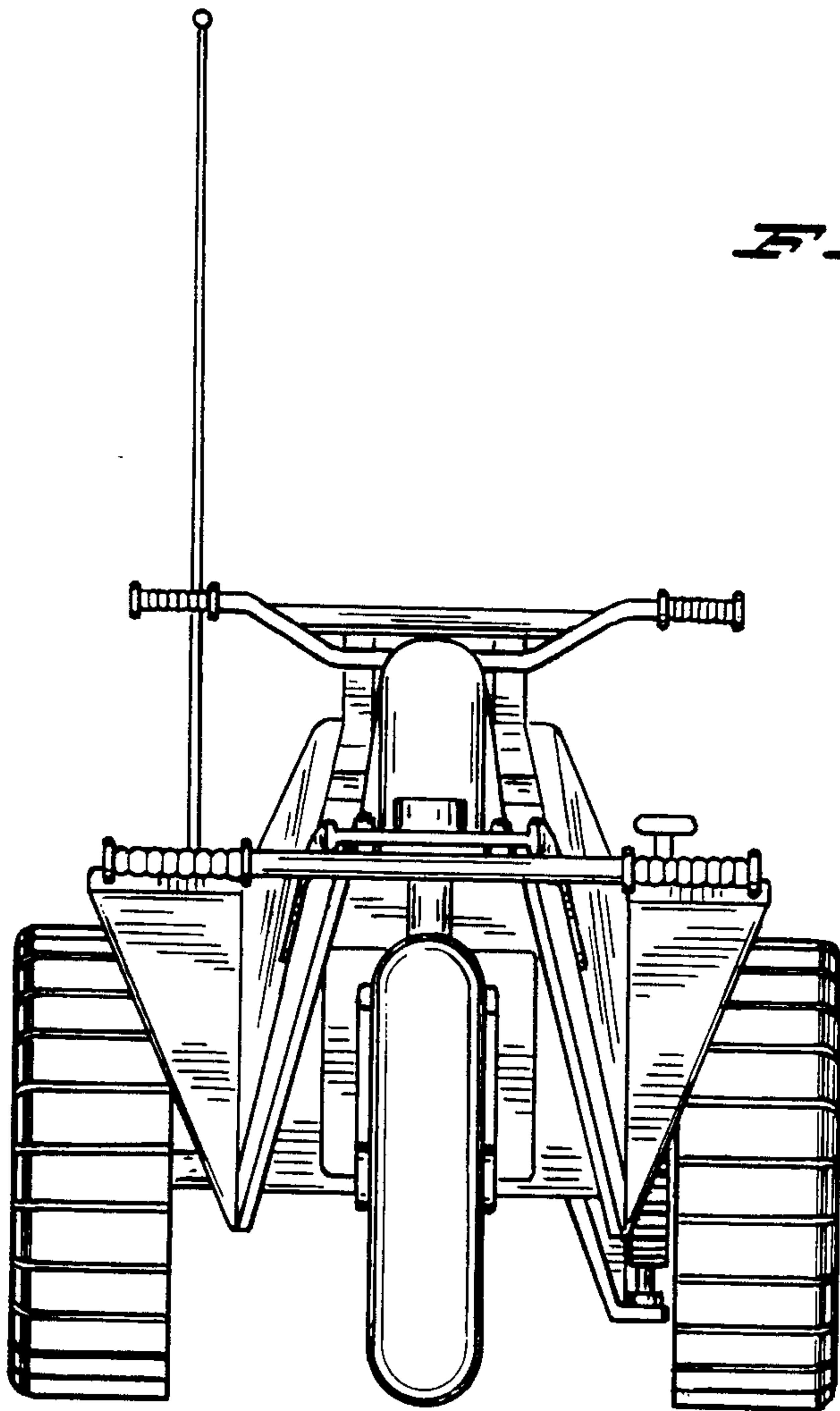


*FIG. 2*

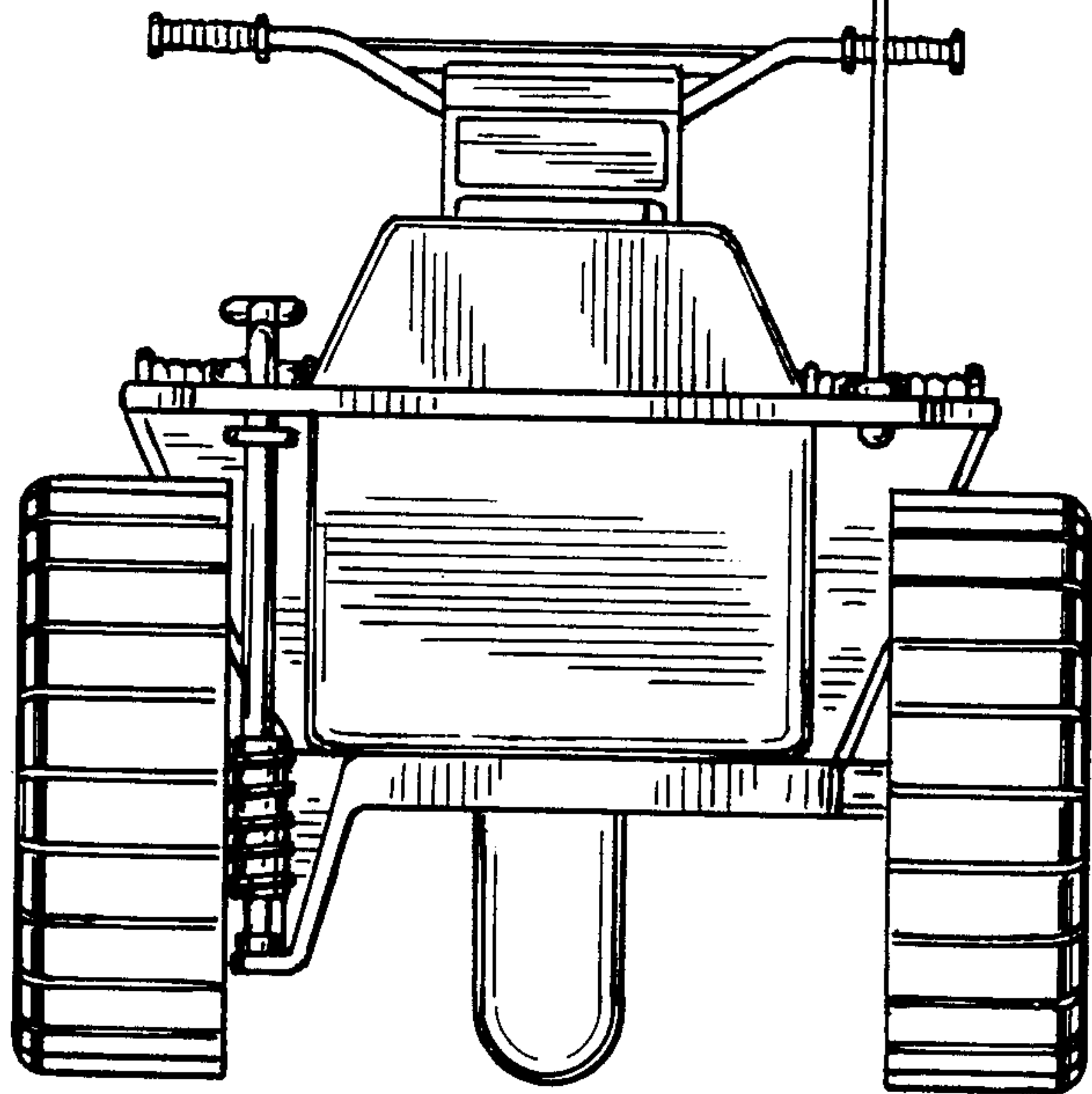


*FIG. 3*

*FIG. 4*



*FIG. 5*





*FIG. 6*

