

[54] **BIRD FEEDER**  
[76] Inventor: **Peter Kilham**, Box 98, Foster, R.I.  
02825  
[\*\*] Term: **14 Years**  
[21] Appl. No.: **680,375**  
[22] Filed: **Apr. 26, 1976**  
[51] Int. Cl. .... **D30-03**  
[52] U.S. Cl. .... **D30/14**  
[58] Field of Search ..... **D30/13-18;**  
**119/51 R, 52 R, 861 R**

3,822,674 7/1974 Tobin ..... D30/13 X  
D. 165,628 1/1952 Blazier ..... D30/15  
D. 241,149 8/1976 Miller et al. .... D30/13

*Primary Examiner*—James R. Largen  
*Attorney, Agent, or Firm*—Elliot A. Salter

[57] **CLAIM**

The ornamental design for a bird feeder, substantially as shown.

**DESCRIPTION**

FIG. 1 is a perspective view of a bird feeder showing my new design;  
FIG. 2 is a side elevational view thereof;  
FIG. 3 is a top plan view thereof; and  
FIG. 4 is a bottom plan view thereof.

[56] **References Cited**  
**U.S. PATENT DOCUMENTS**  
2,591,459 4/1952 Meany ..... D30/14  
2,866,435 12/1958 Blazier ..... D30/14

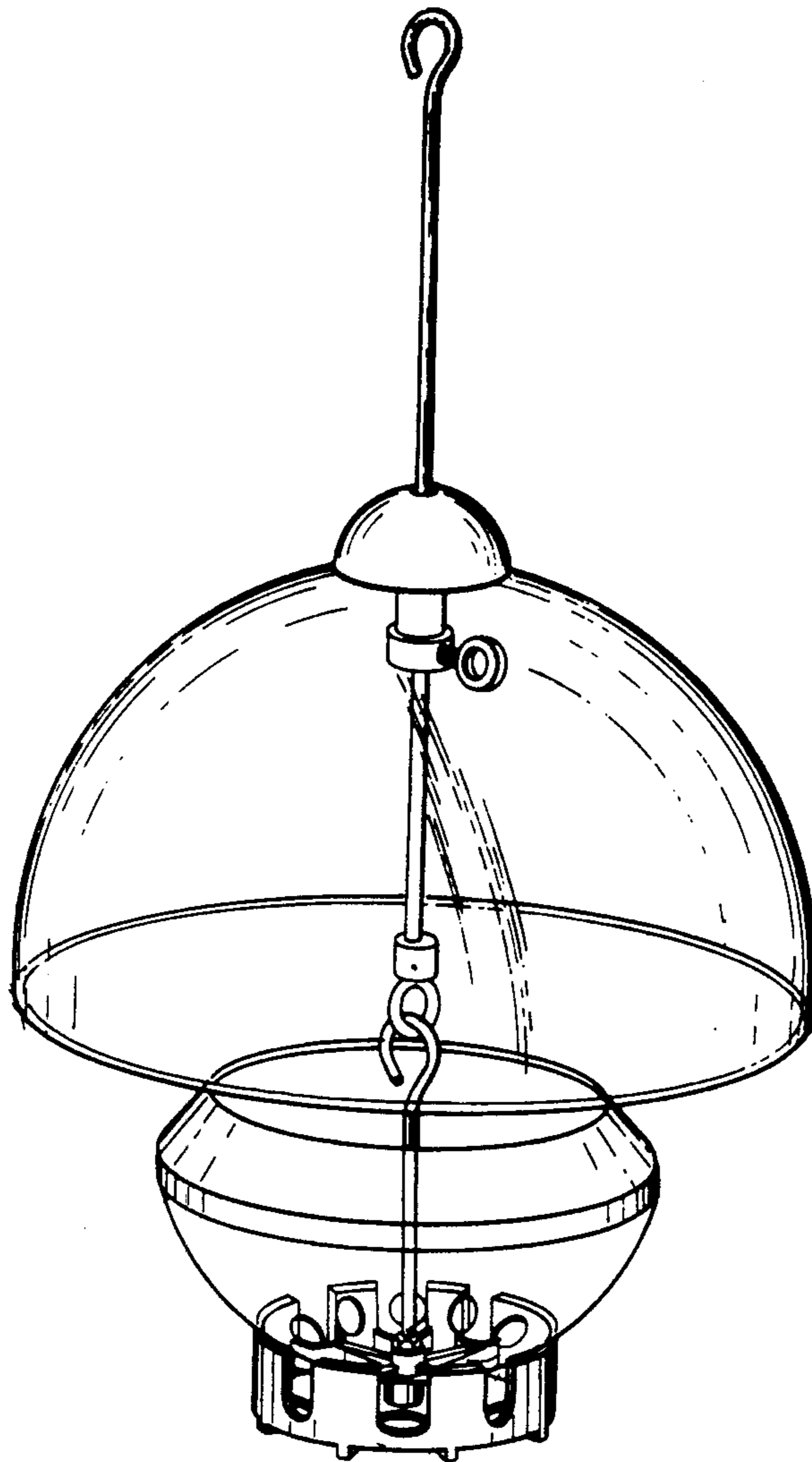


FIG. 1

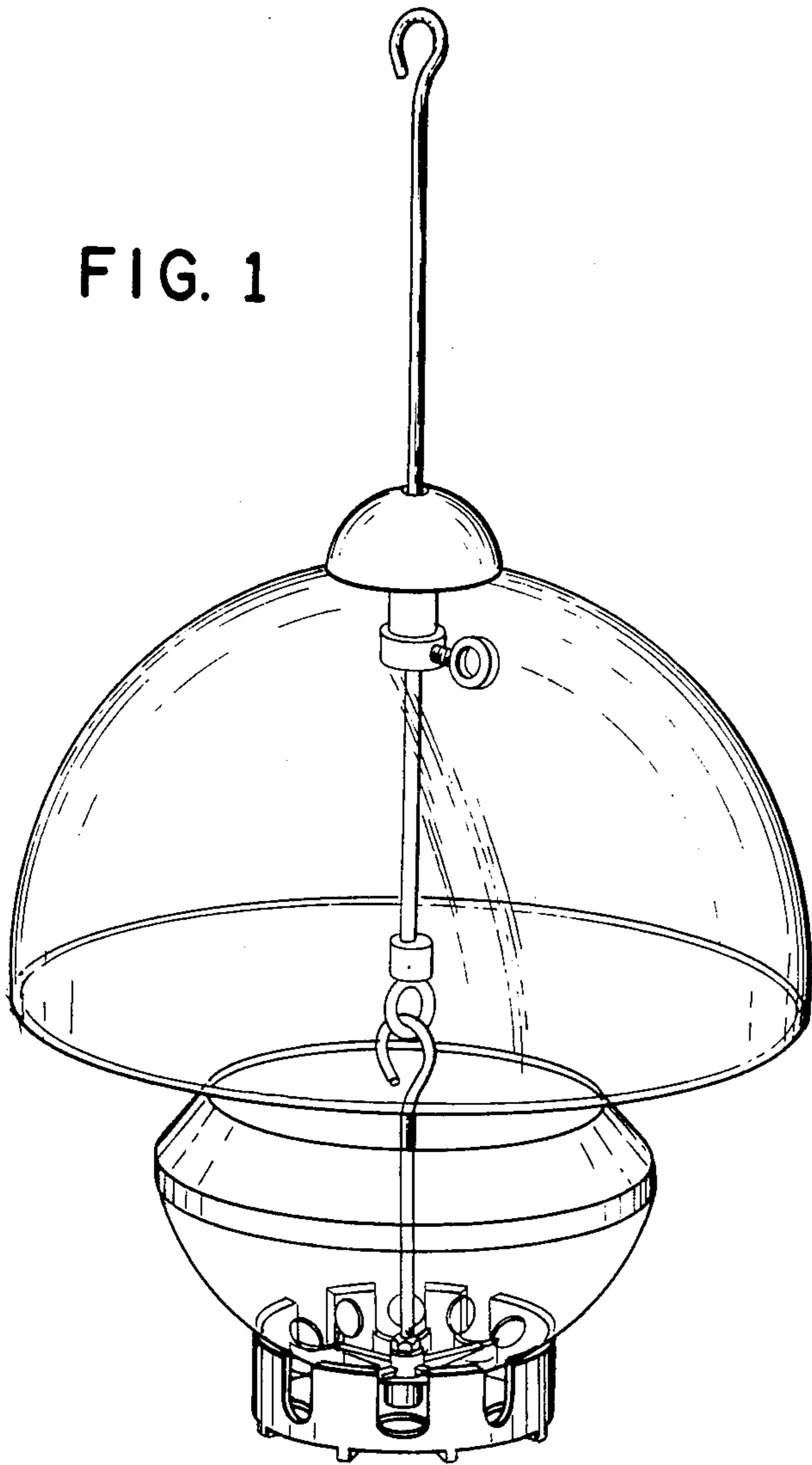


FIG. 2

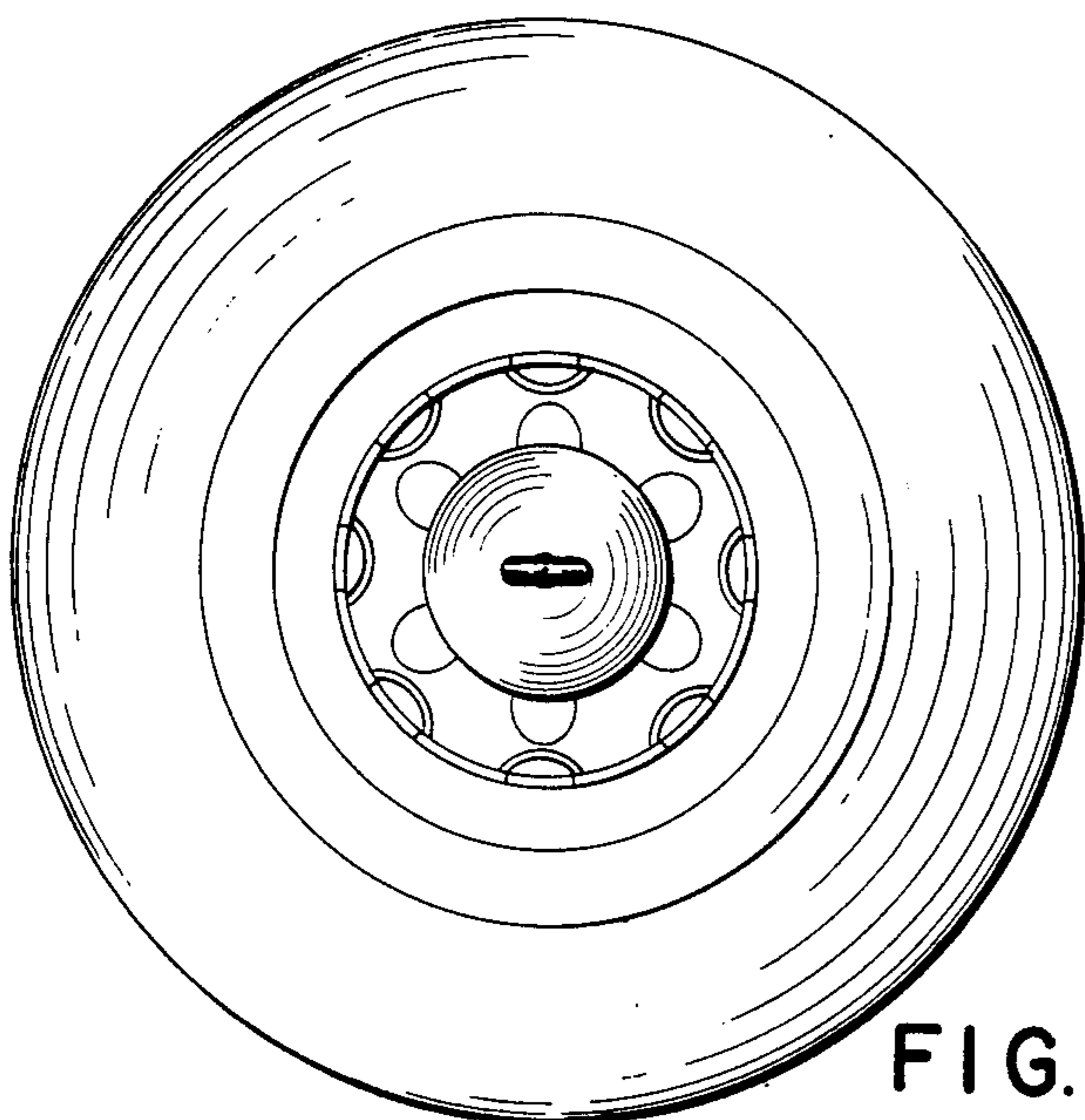
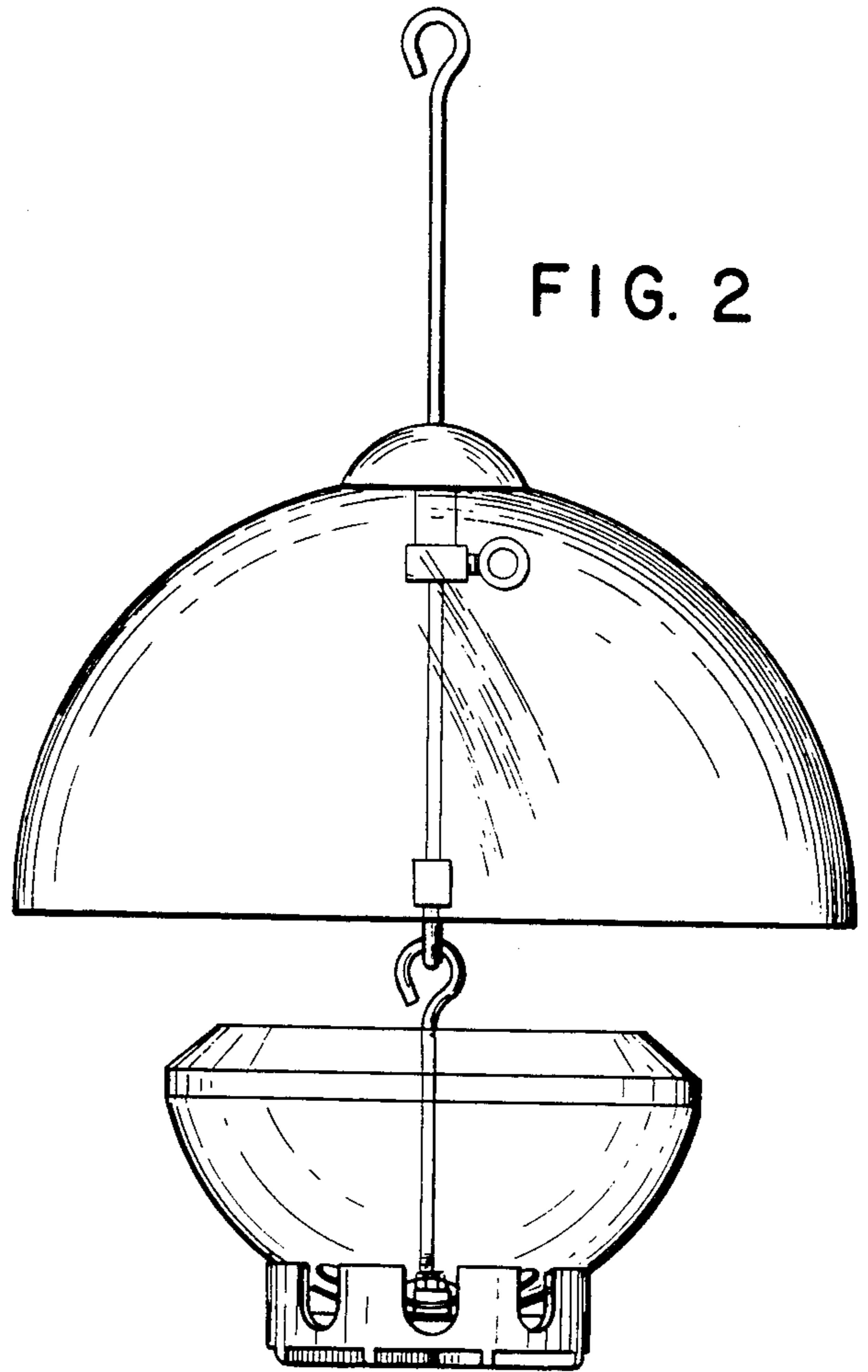


FIG. 3

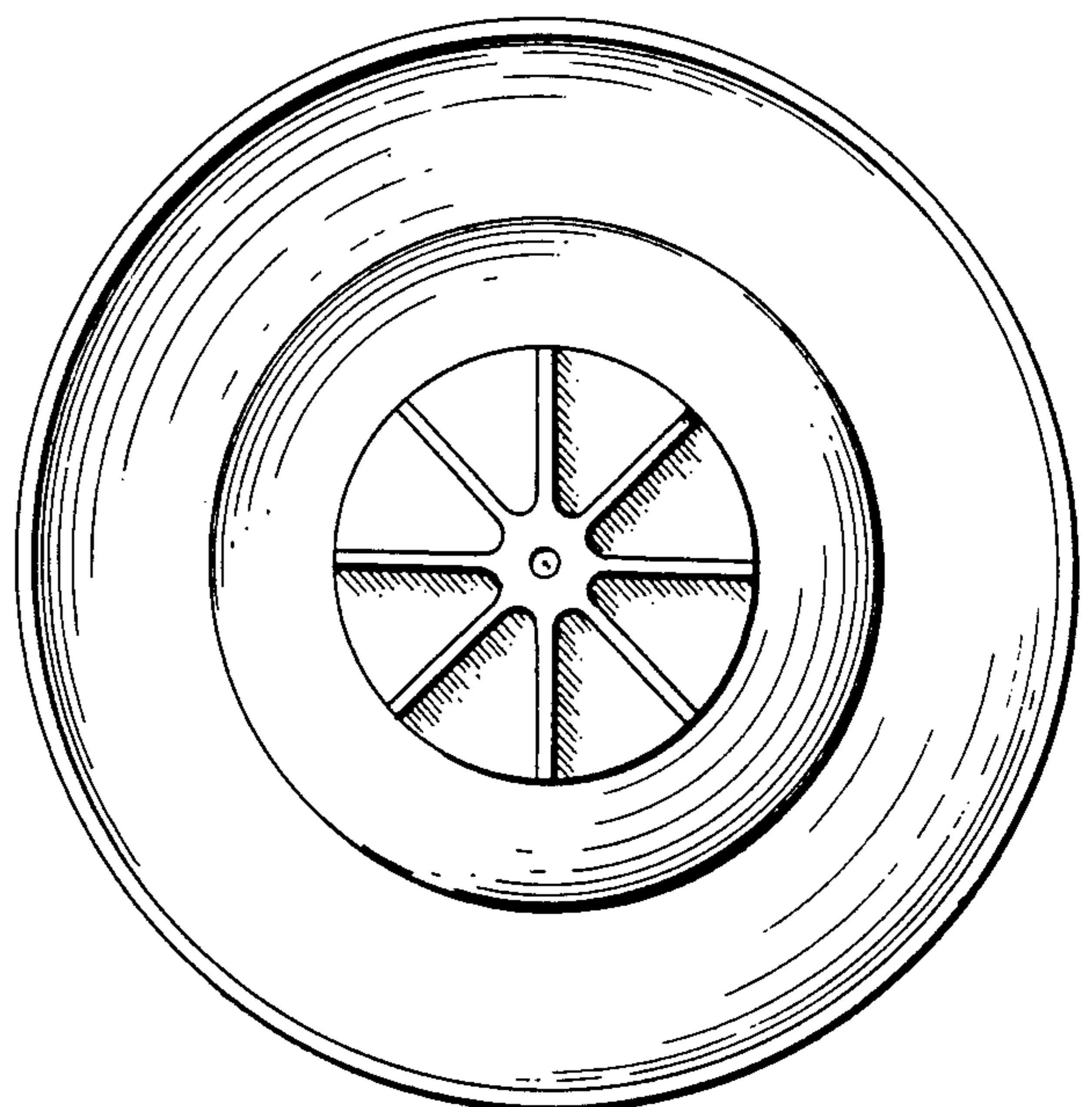


FIG. 4