

[54] HOUSING FOR TELEPRINTERS AND THE LIKE

[76] Inventor: **Berndt Ebbe Frick**, Herrgardsvagen 9, 135 00 Tyreso, Sweden

[**] Term: **14 Years**

[21] Appl. No.: **592,749**

[22] Filed: **July 3, 1975**

[30] Foreign Application Priority Data
Jan. 16, 1975 Sweden 7599

[51] Int. Cl. **D14-03**

[52] U.S. Cl. **D14/93**

[58] Field of Search D26/14 R, 5 C; 248/441; 312/21; 178/6, 5.8 R, 5.6

[56] **References Cited**

U.S. PATENT DOCUMENTS

3,014,094	12/1961	Nordin	D26/14 R
D. 159,799	8/1950	Gettleman	D26/14 R
D. 215,218	9/1969	Plantholt	D26/14 R
D. 231,469	4/1974	Kennedy	D26/14 R
D. 233,718	11/1974	Panzica	D26/14 R

Primary Examiner—Bernard Ansher
Attorney, Agent, or Firm—A. Donald Messenheimer

[57] **CLAIM**

The ornamental design for a housing for teleprinter and the like, as shown and described.

DESCRIPTION

FIG. 1 shows in perspective view a cover of my new design.

FIG. 2 shows in perspective view the cover in opposite direction.

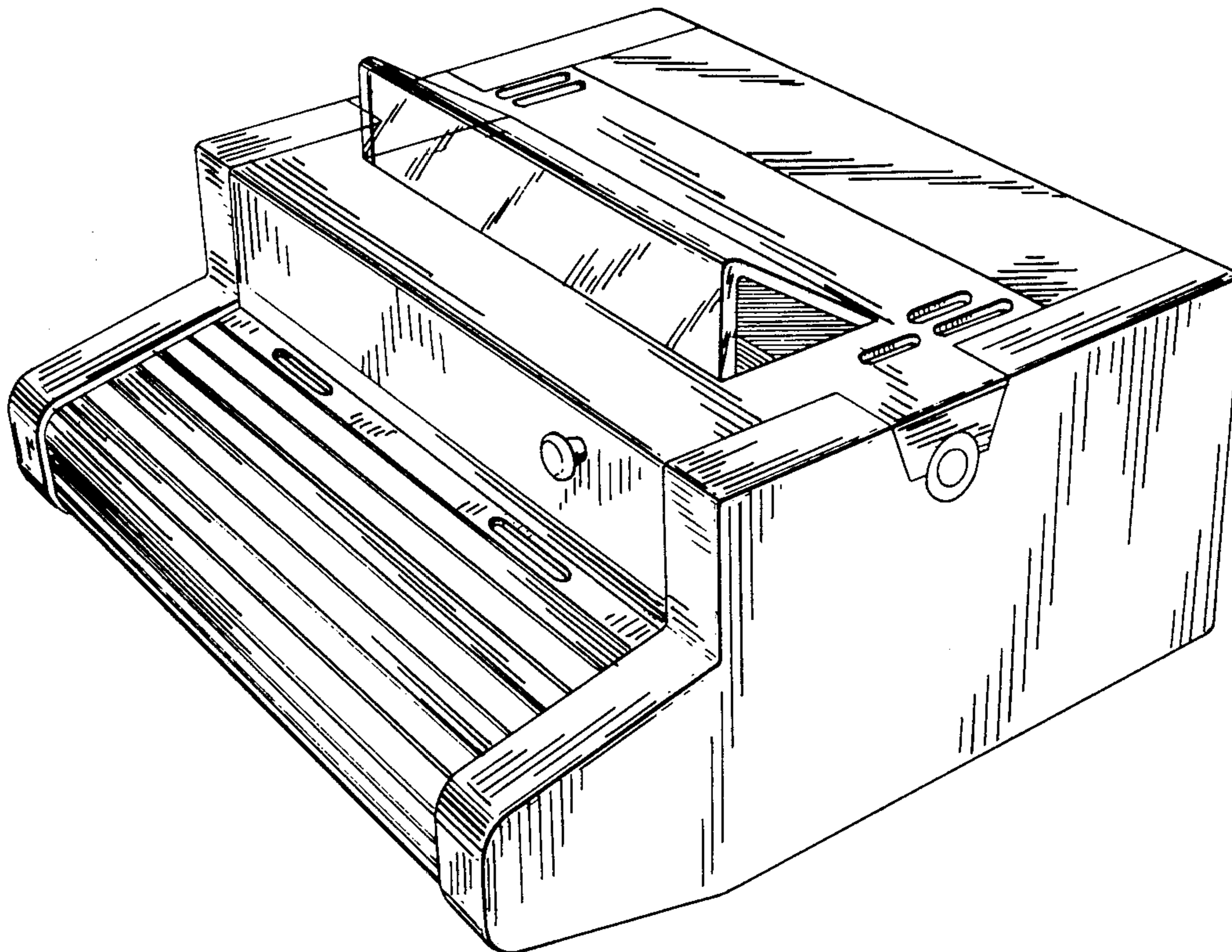


FIG. 1

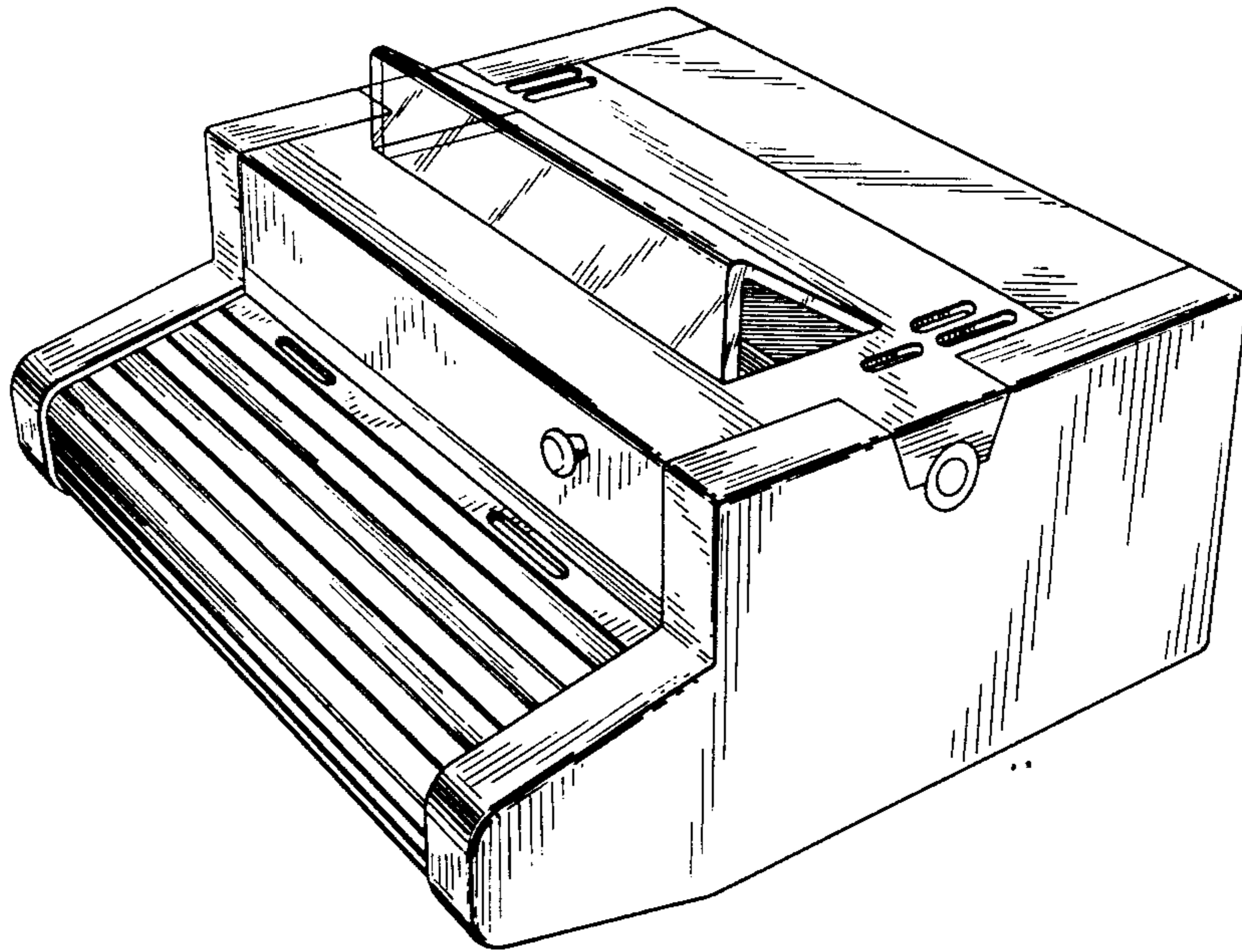


FIG. 2

