

[54] RULER

[76] Inventor: John Brownridge West, 4 Quail Valley Drive, Thornhill, Ontario, Canada, L3T 4R2

[**] Term: 14 Years

[21] Appl. No.: 609,198

[22] Filed: Sept. 2, 1975

[51] Int. Cl. D19-06

[52] U.S. Cl. D19/35

[58] Field of Search D10/61-65, D10/70-71 R; 33/107 R; D19/35, 37

[56] References Cited

U.S. PATENT DOCUMENTS

334,932 1/1886 Bolton 33/107 R

566,195	8/1896	Leavitt	33/107 R
2,182,028	12/1939	Little	33/107 R
D. 25,261	3/1896	Wilson	D10/71
D. 208,666	9/1967	Fresco	D10/61

Primary Examiner—Nelson C. Holtje
Attorney, Agent, or Firm—J. A. Legris

[57] CLAIM

The ornamental design for a ruler, as shown.

DESCRIPTION

FIG. 1 is a front, top, left perspective view of a ruler showing my new design;

FIG. 2 is a rear, bottom and right perspective view thereof;

FIG. 3 is a right end elevational view thereof.

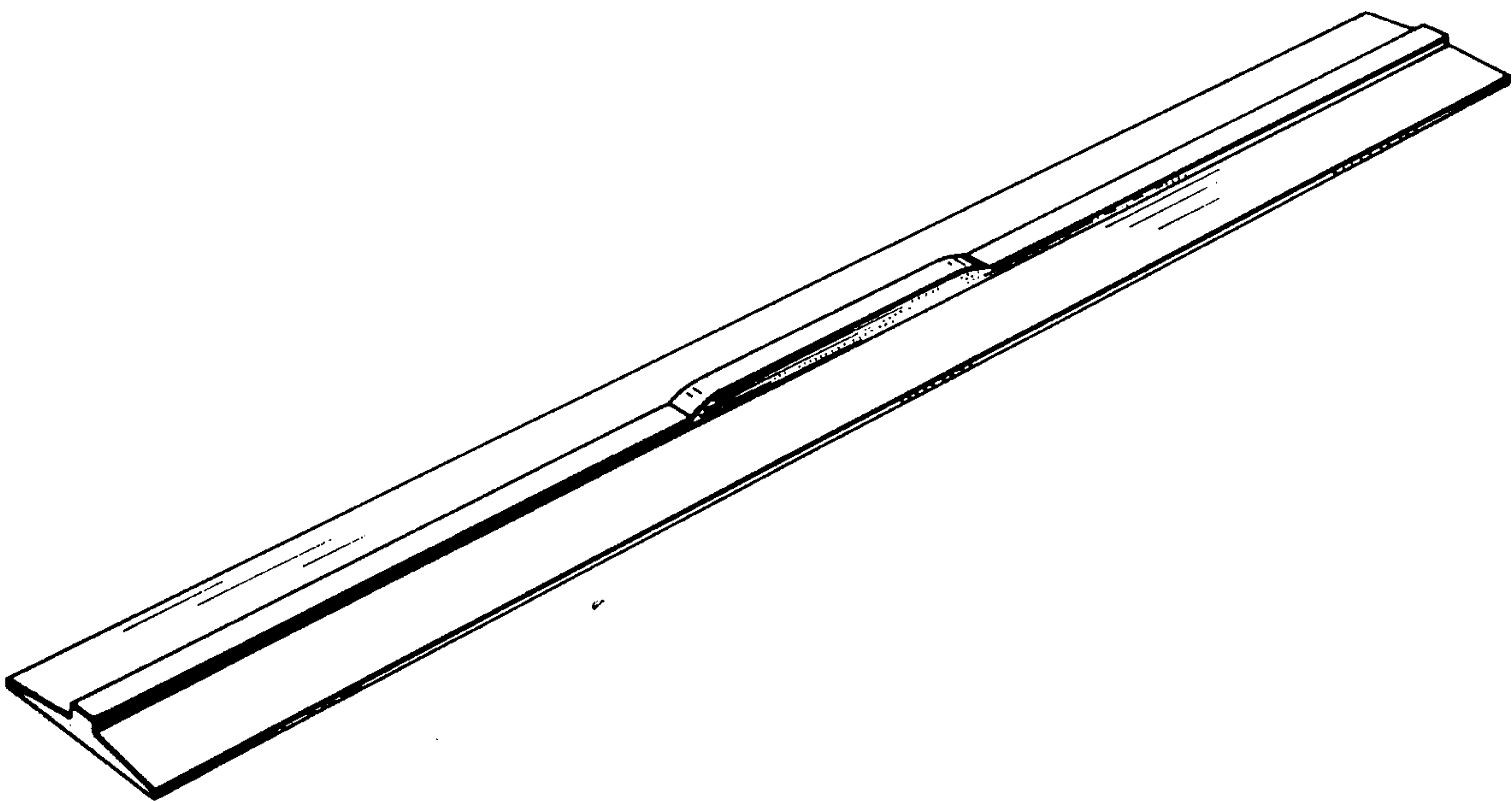


FIG. 1

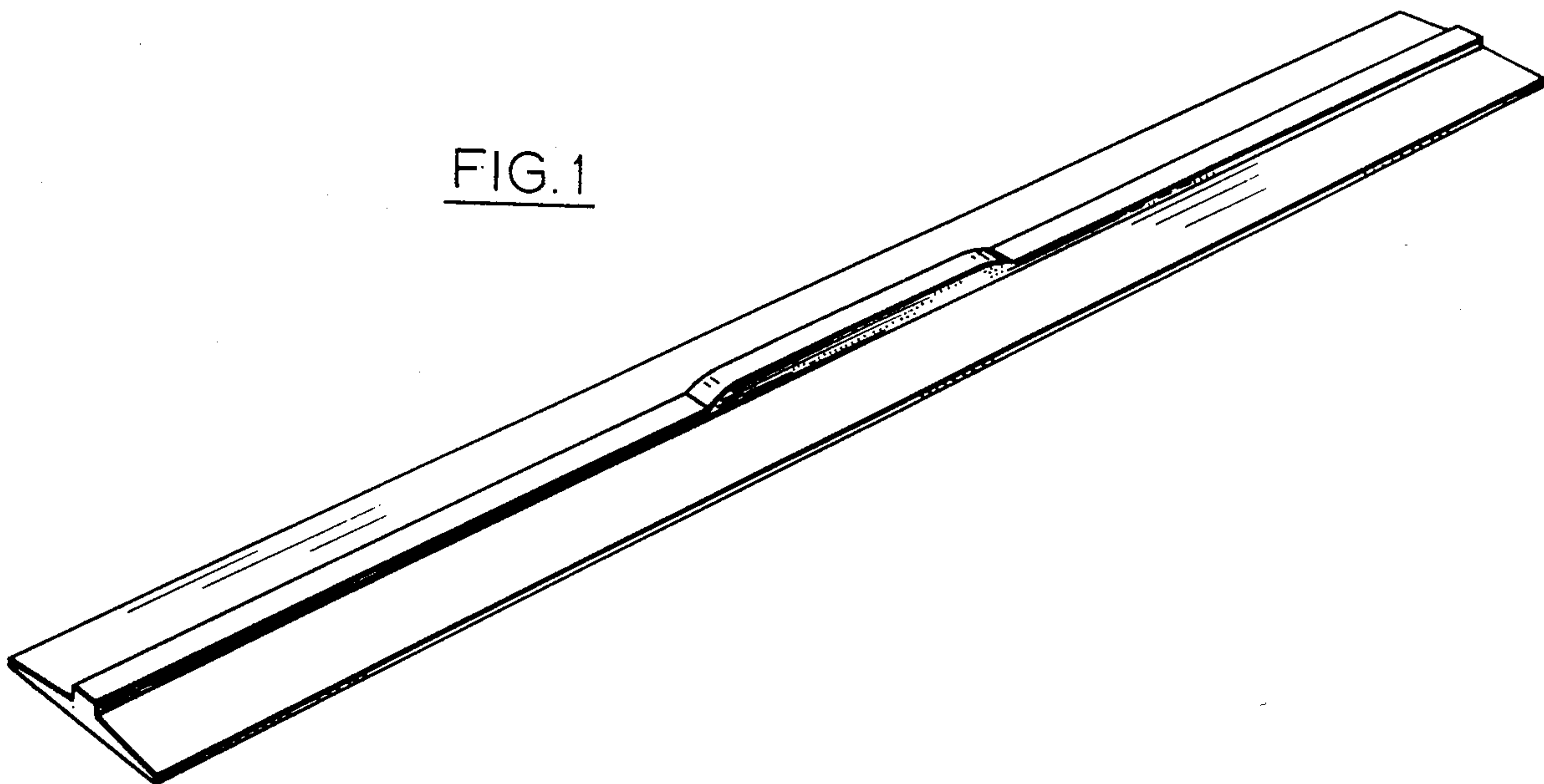


FIG. 3

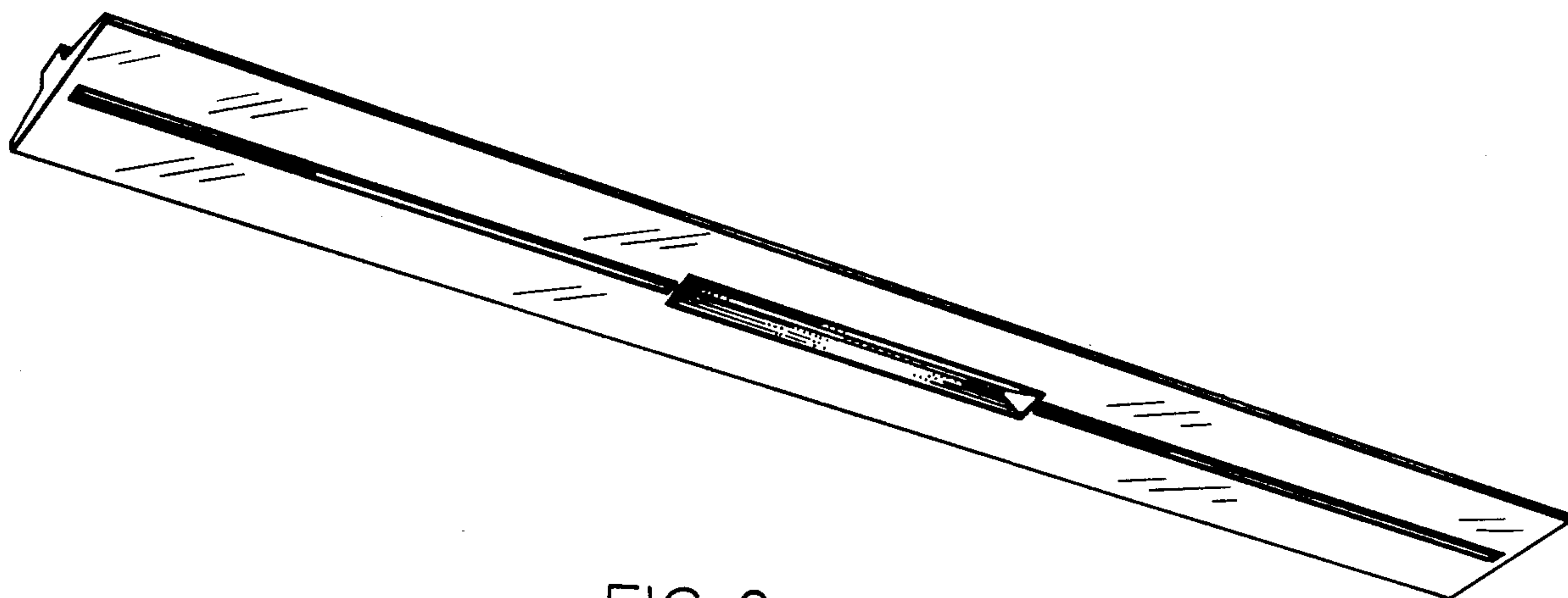


FIG. 2