

[54] SAIL BOAT MAST SETTING BRACKET

[76] Inventor: Joachim A. Pfeiffer, 4373 Faraday Drive, San Jose, Calif. 95124

[**] Term: 14 Years

[21] Appl. No.: 560,537

[22] Filed: Mar. 20, 1975

[51] Int. Cl. D8-08; D12-06

[52] U.S. Cl. D8/354

[58] Field of Search D8/232, 229; D12/155, D12/64; 114/91

[56] References Cited

U.S. PATENT DOCUMENTS

- D. 191,772 11/1961 Levacy D8/232
- D. 224,082 7/1972 Kostlee D8/229

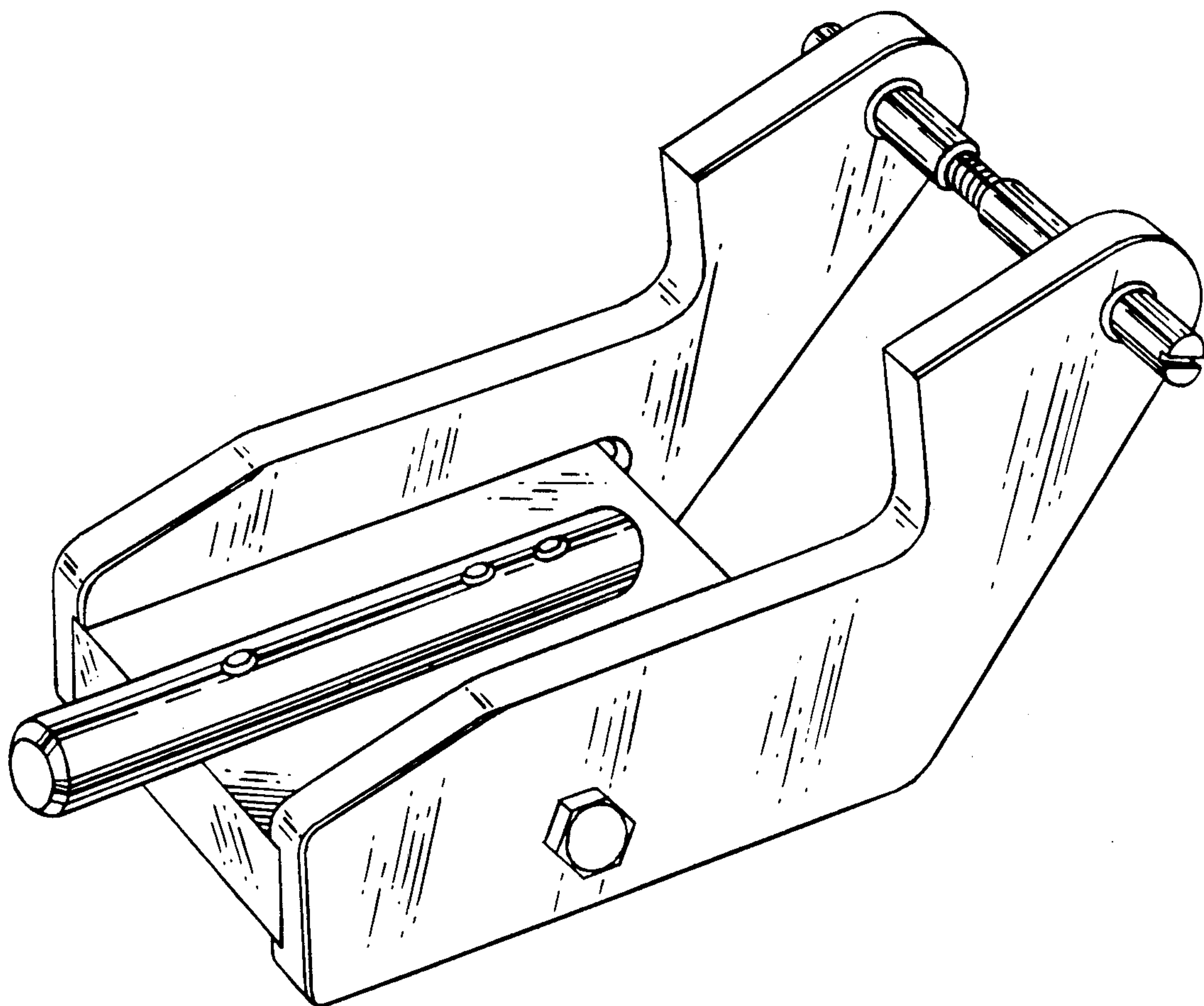
Primary Examiner—Alan P. Douglas
Attorney, Agent, or Firm—Herbert C. Schulze

[57] CLAIM

The ornamental design for a sail boat mast setting bracket, as shown.

DESCRIPTION

FIG. 1 is a perspective from the left front top of the sail boat mast setting bracket;
 FIG. 2 is a perspective from the right rear bottom of the sail boat mast setting bracket;
 FIG. 3 is a top plan view of the sail boat mast setting bracket; and,
 FIG. 4 is a bottom plan view of the sail boat mast setting bracket.



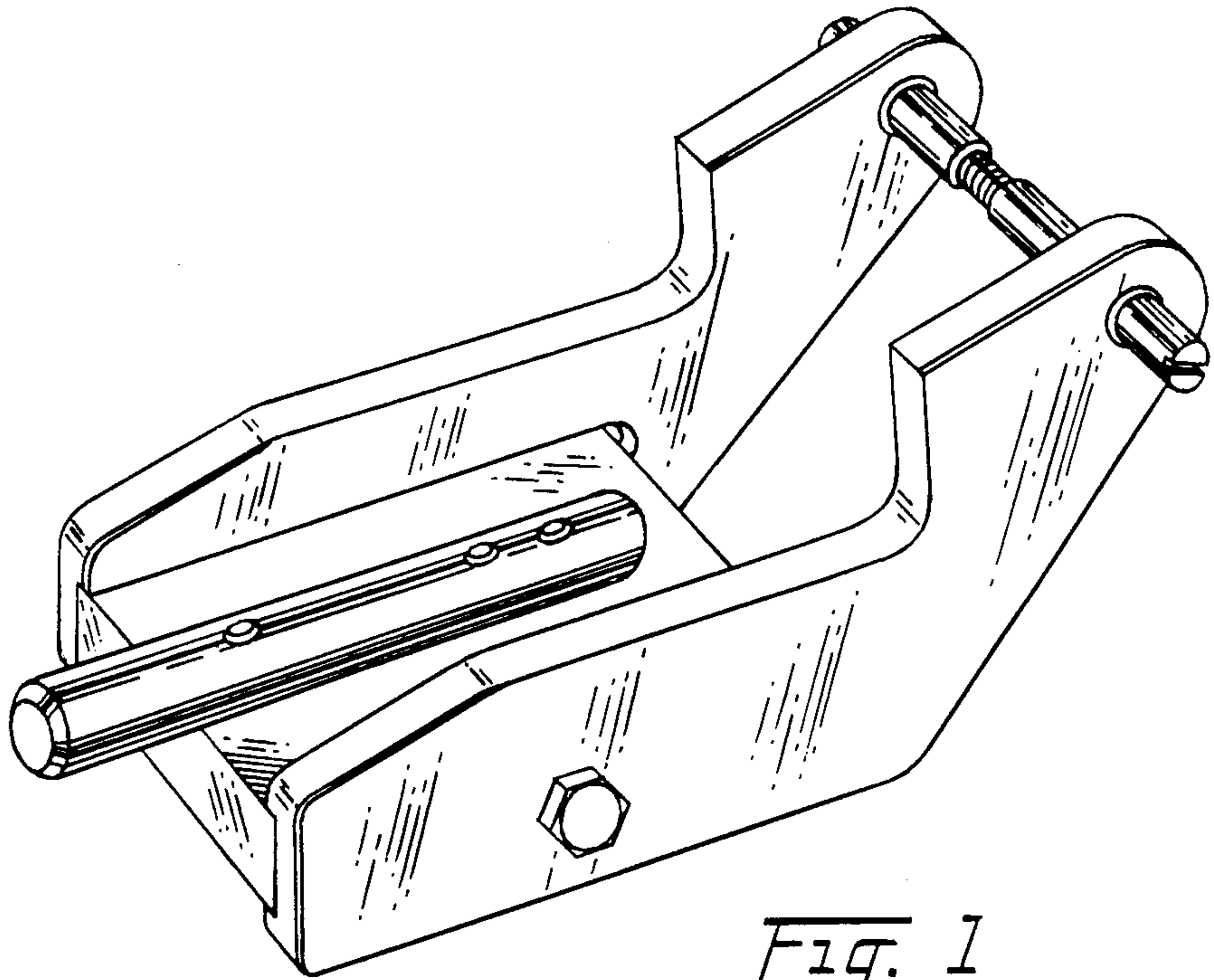


Fig. 1

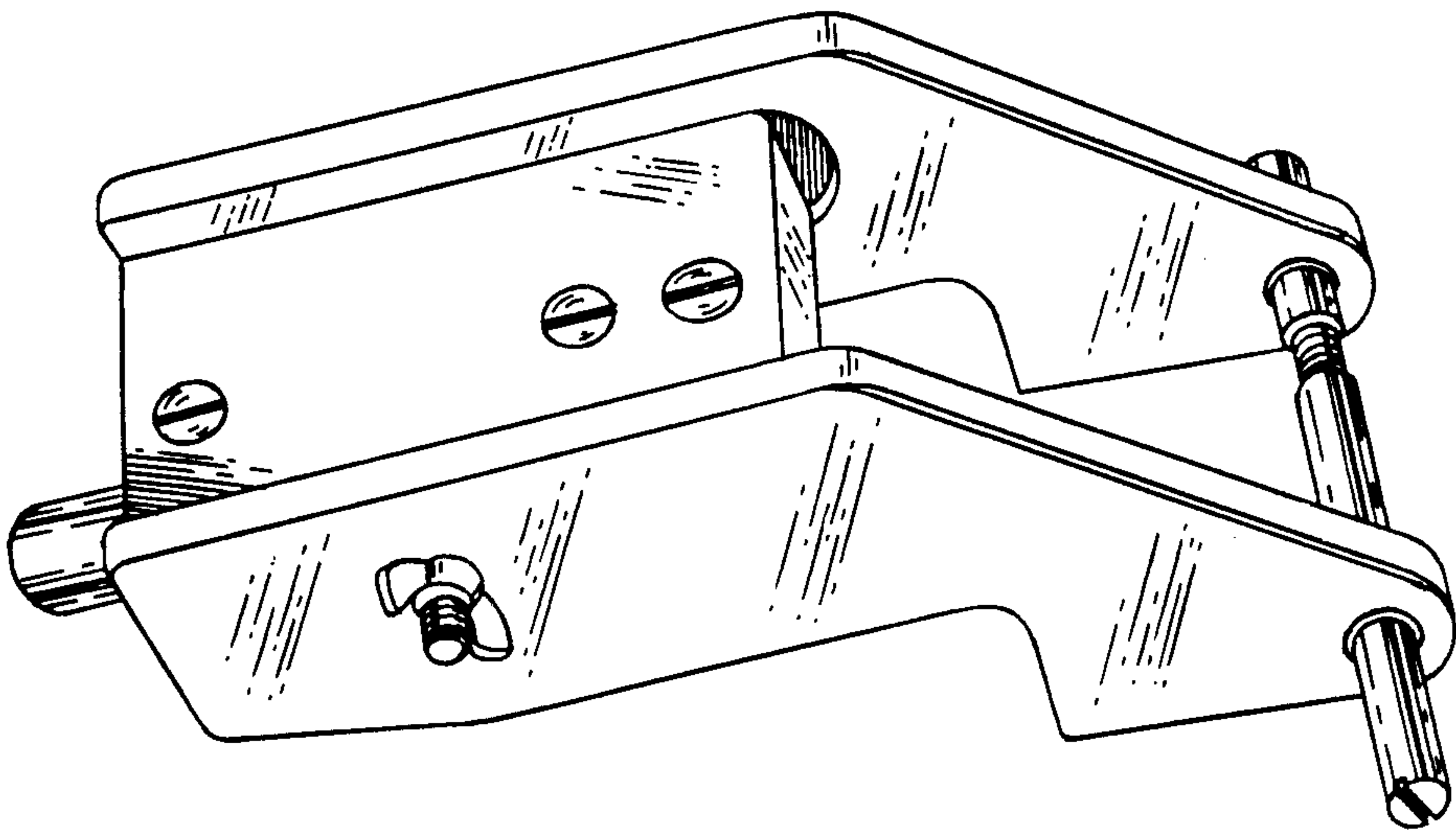


Fig. 2

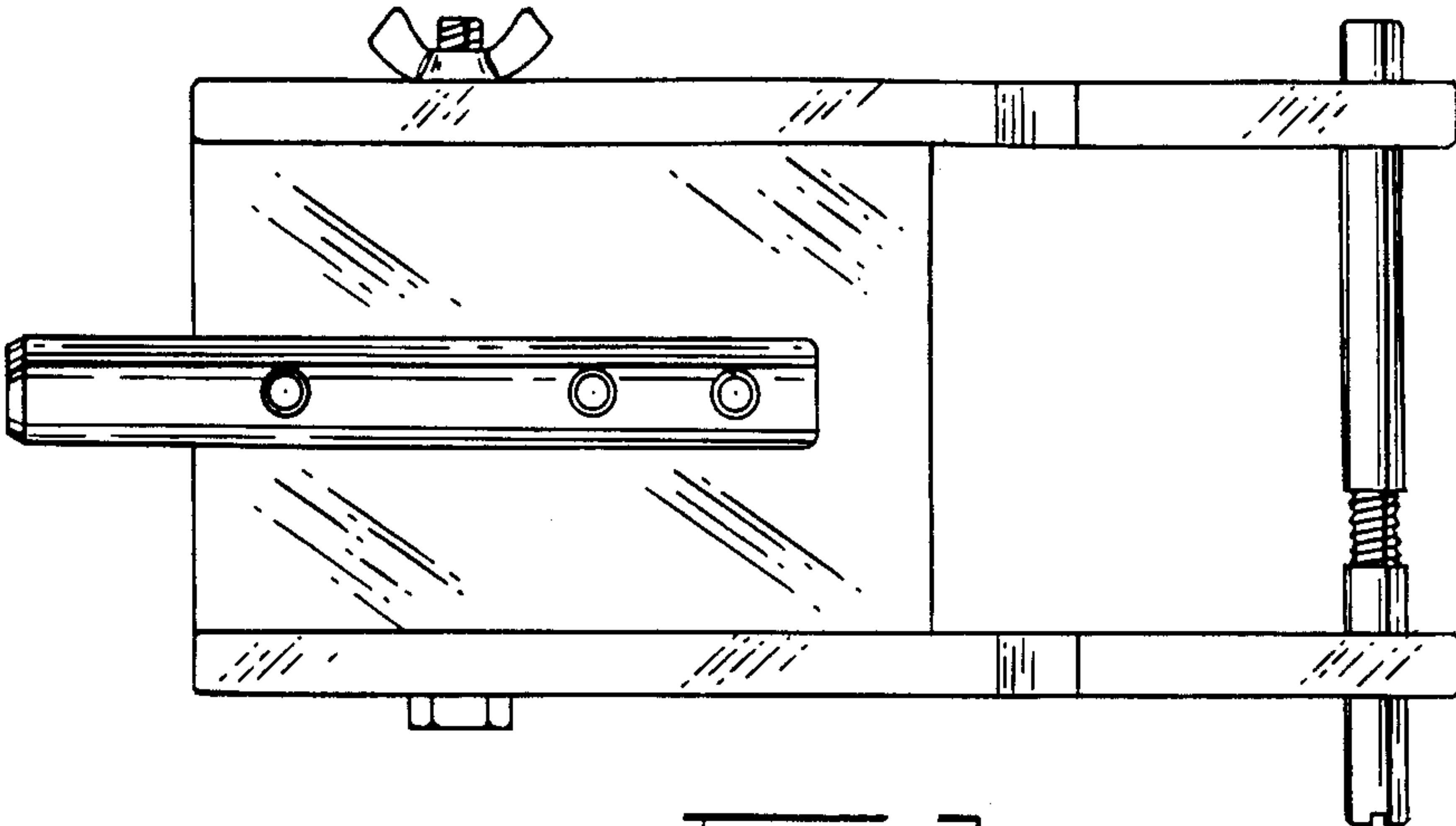


Fig. 3

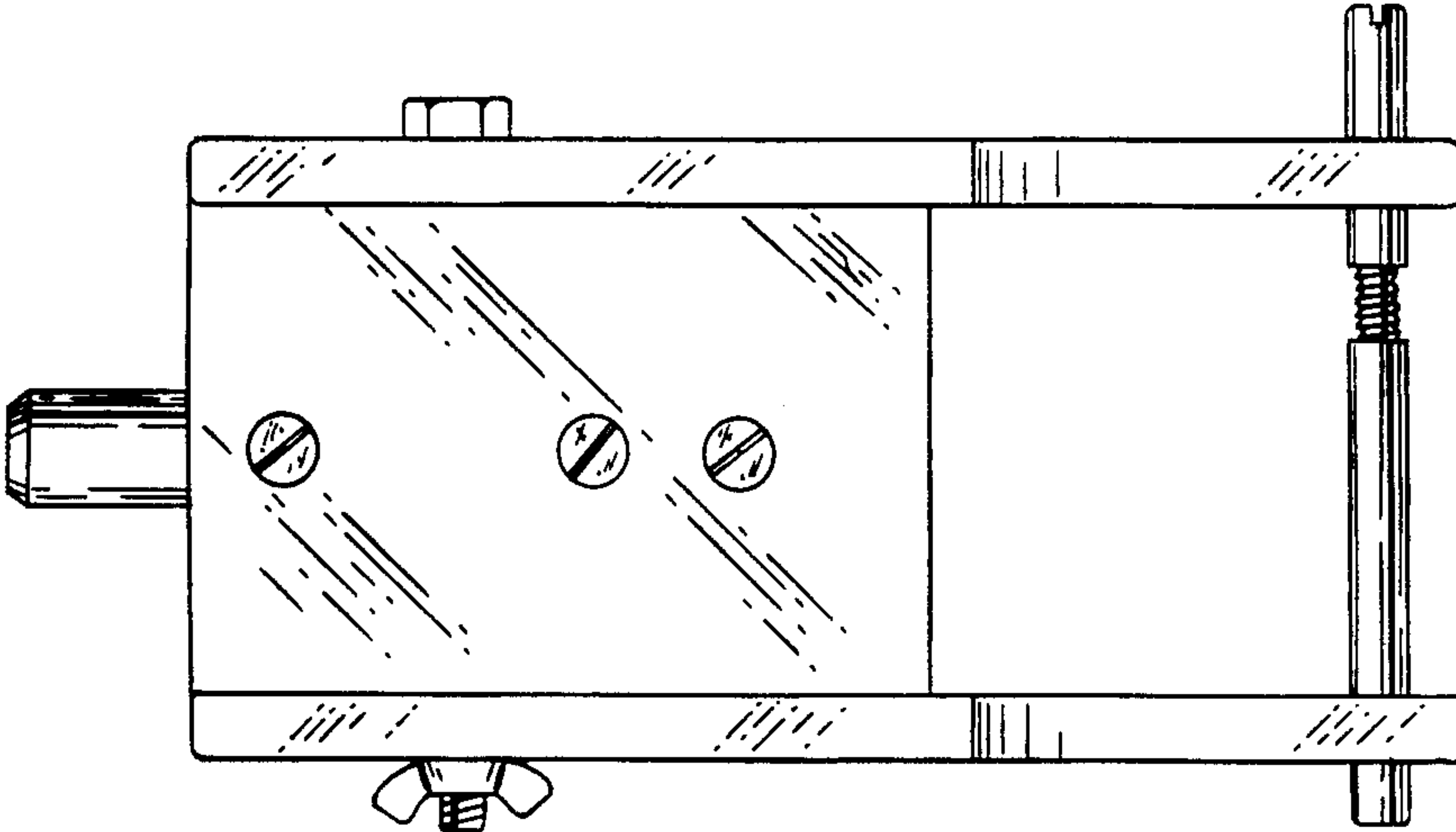


Fig. 4