

- [54] **KEY BLANK FOR AN AXIAL TUMBLER-TYPE LOCK**
- [75] **Inventor: Robert L. Steinbach, Chicago, Ill.**
- [73] **Assignee: Chicago Lock Co.**
- [**] **Term: 14 Years**
- [21] **Appl. No.: 729,793**
- [22] **Filed: Oct. 5, 1976**
- [51] **Int. Cl. D8-07**
- [52] **U.S. Cl. D8/347**
- [58] **Field of Search D8/136; 70/404**

[56] **References Cited**
OTHER PUBLICATIONS

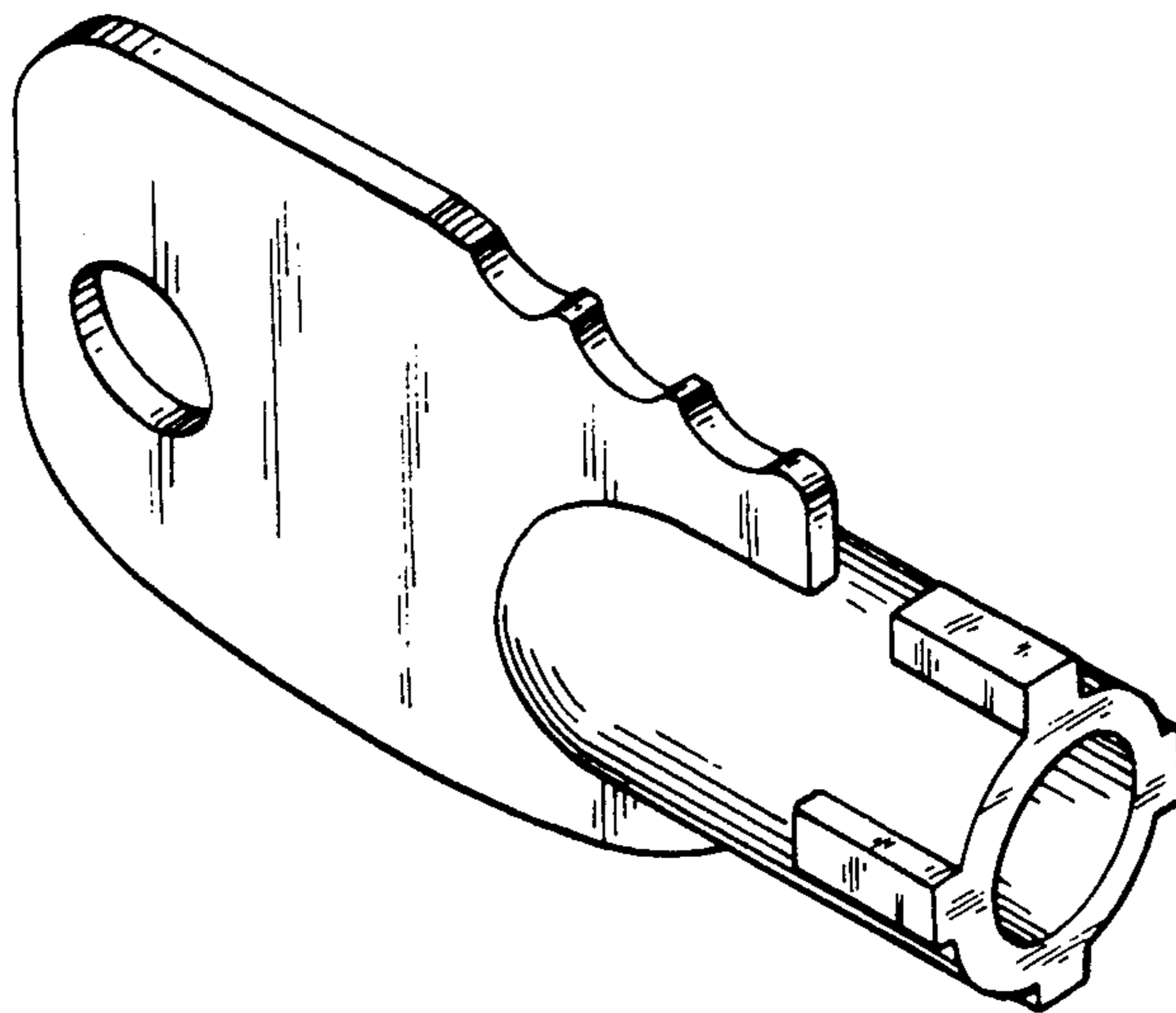
Industrial Design, 1961, Apr., Chicago Lock key item.
Primary Examiner—William N. Wertman
Attorney, Agent, or Firm—Norman H. Gerlach

[57] **CLAIM**

The ornamental design for a key blank for an axial tumbler-type lock, substantially as shown.

DESCRIPTION

FIG. 1 is a perspective view of a key blank for an axial tumbler-type lock embodying my new design;
FIGS. 2 and 3 are, respectively, elevational views of the opposite sides thereof;
FIG. 4 is a top plan view thereof, with the key blank oriented as in FIG. 2;
FIG. 5 is a bottom plan view thereof, with the key blank oriented as in FIG. 3; and
FIGS. 6 and 7 are, respectively, elevational views of the opposite ends thereof.



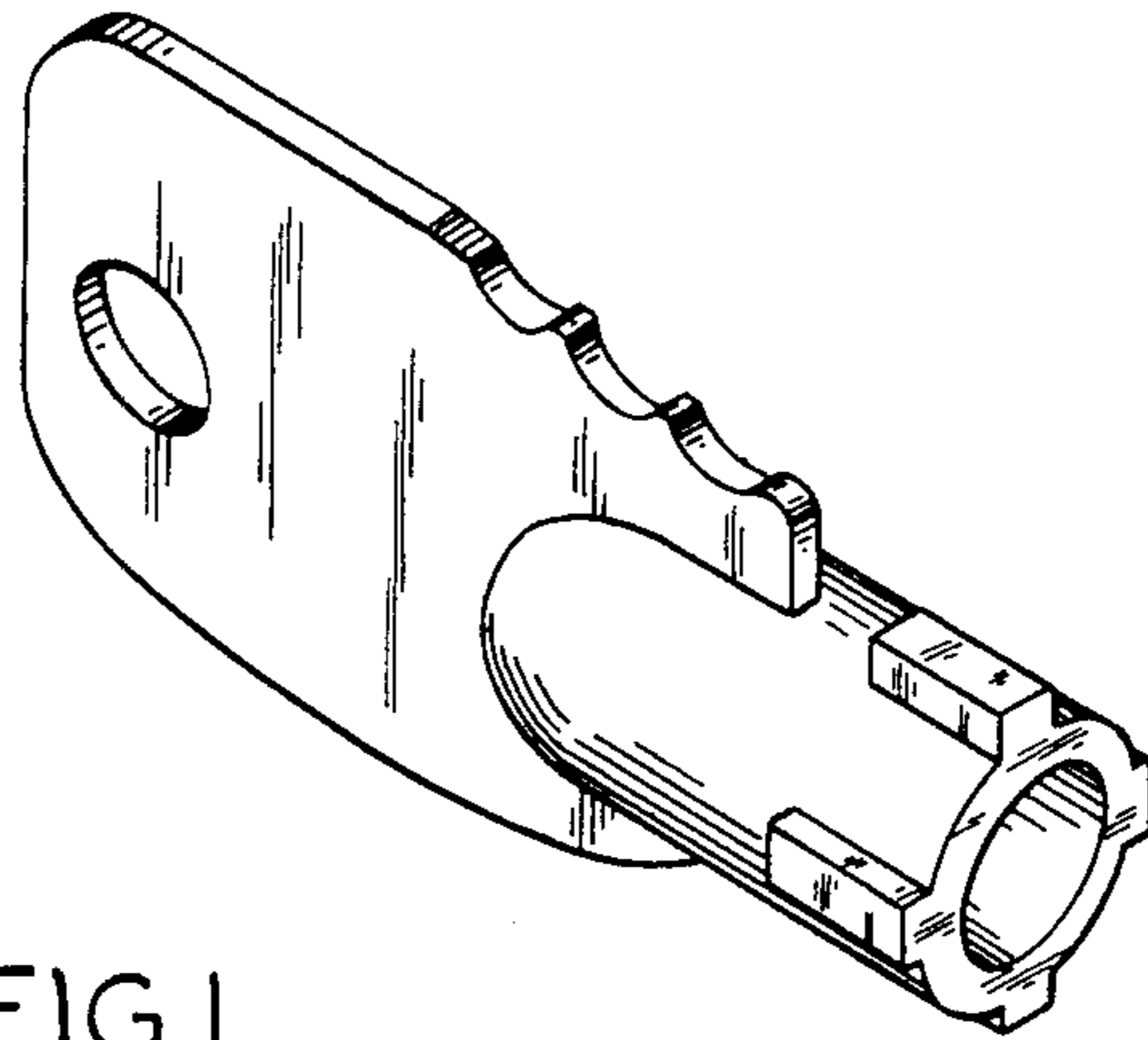


FIG. 1

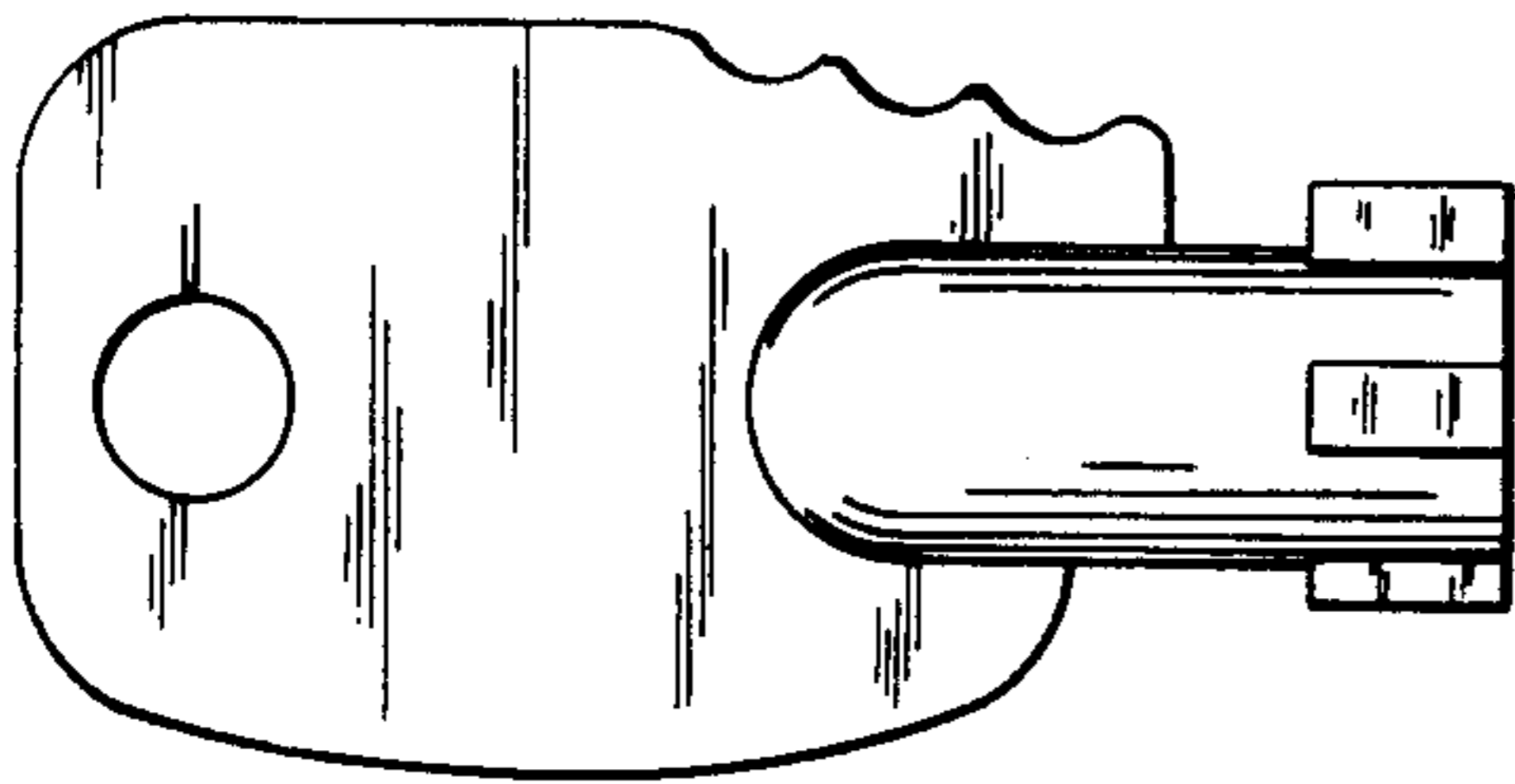


FIG. 2

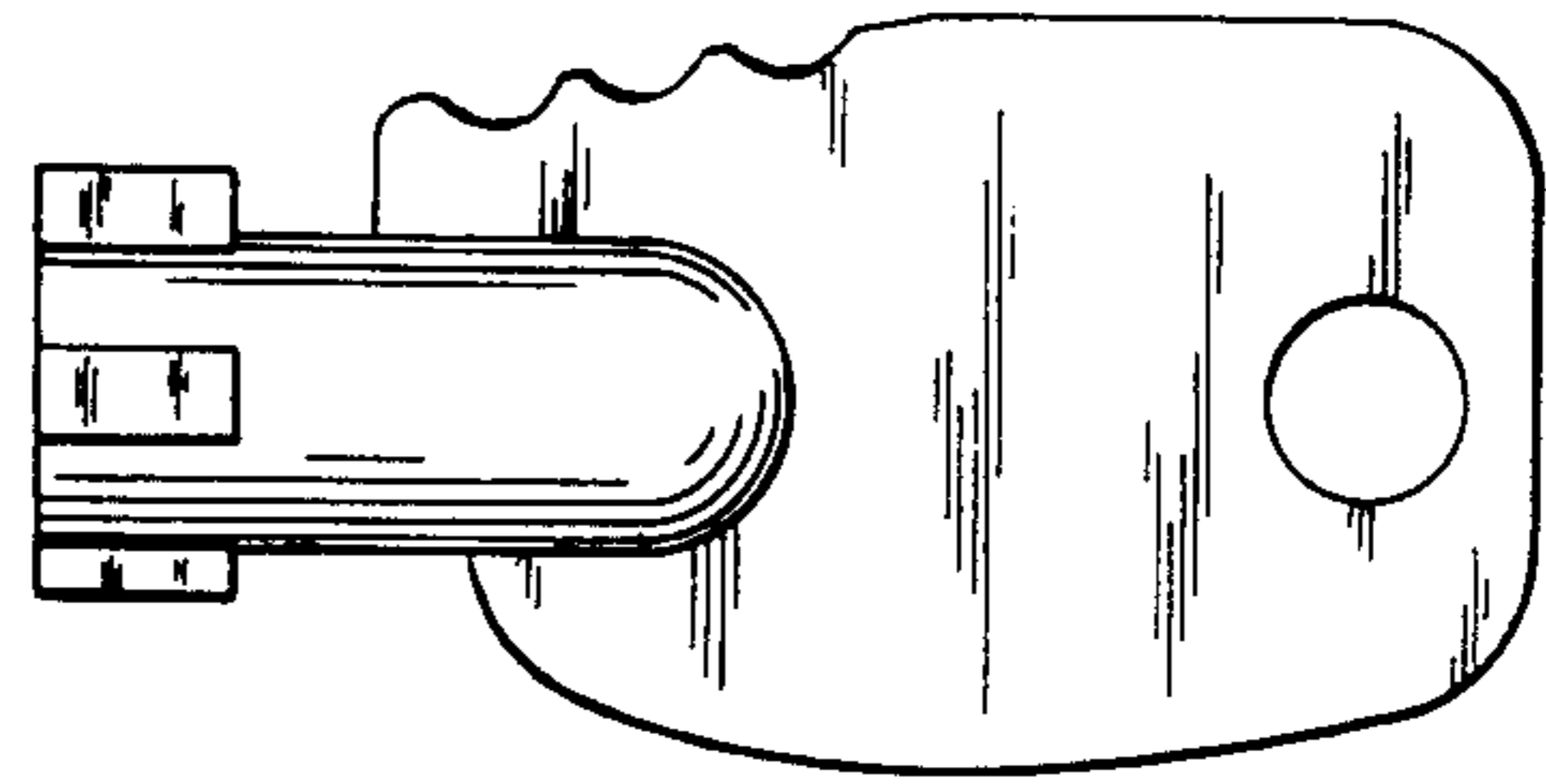


FIG. 3

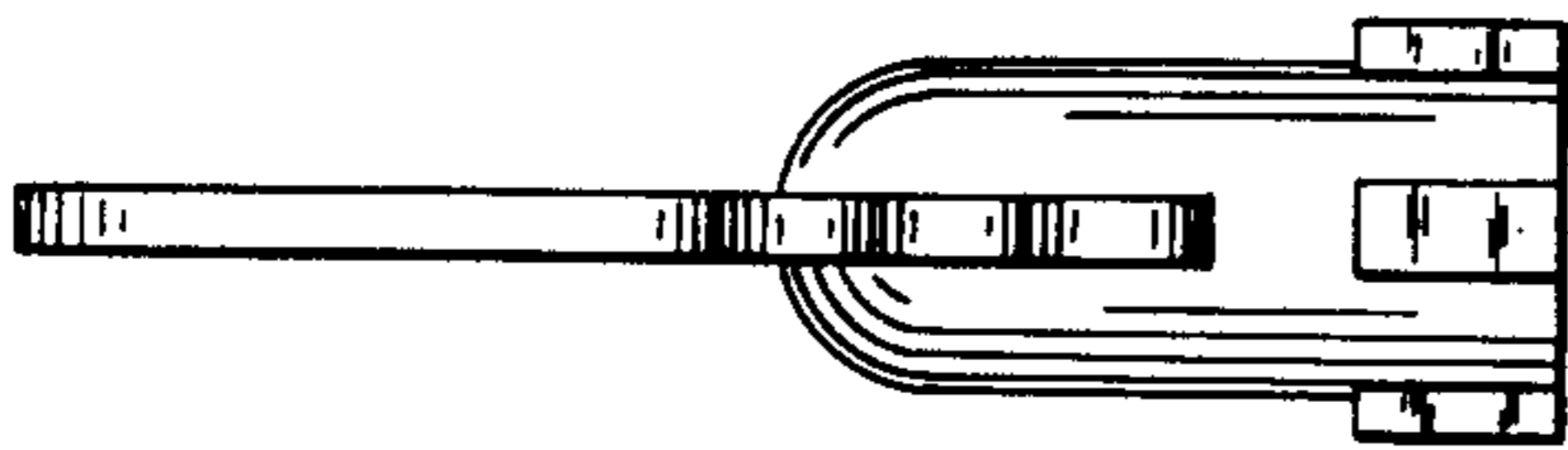


FIG. 4

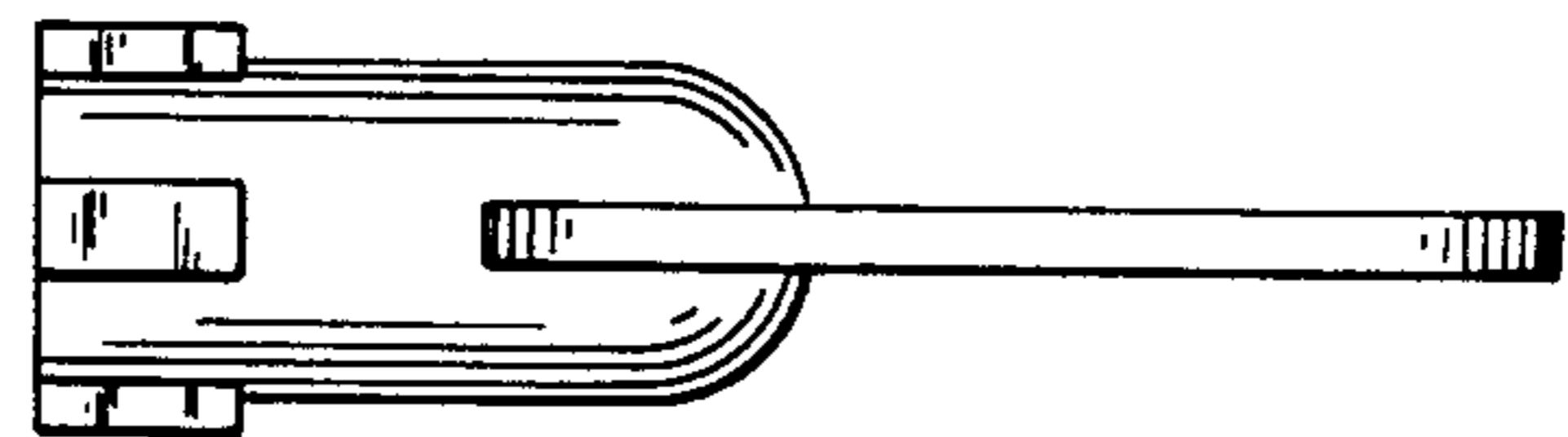


FIG. 5

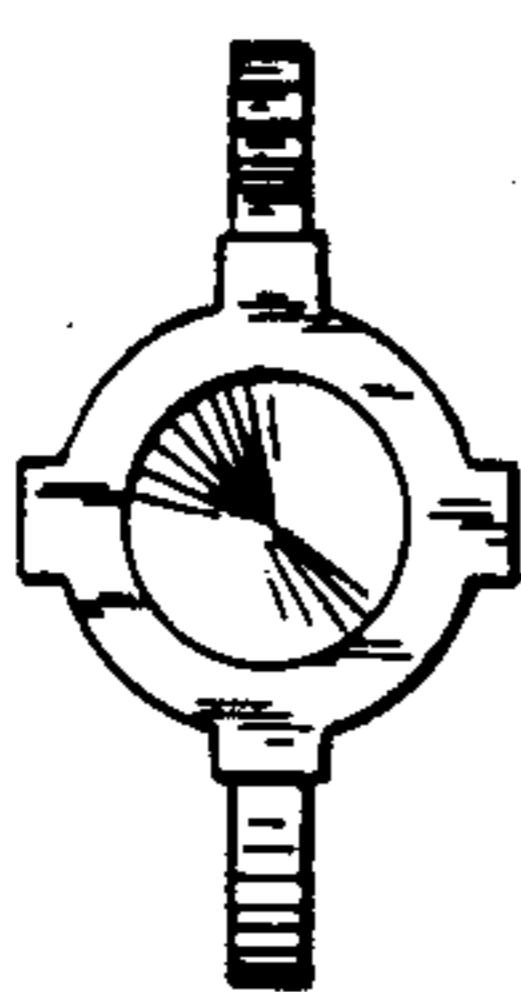


FIG. 6

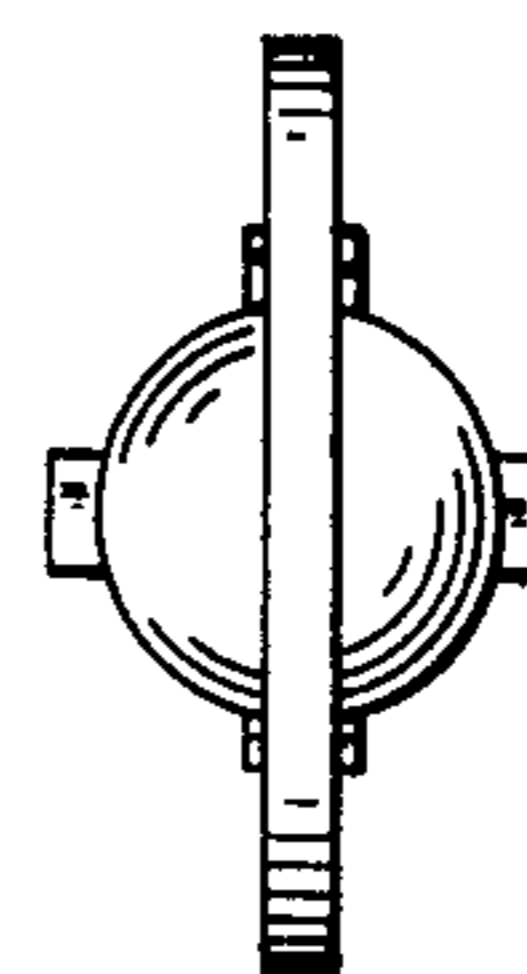


FIG. 7