

[54] AUDIO AND VISUAL DISPLAY BOOTH

[56]

References Cited

[76] Inventors: Donald M. Urbaniec, 21 W 041 Monticello, Lombard, Ill. 60148; Jerry L. Stanbrough, 600 W. Surf, Chicago, Ill. 60657; Alois A. Masters, 612 Park, Saugatuck, Mich. 49453

U.S. PATENT DOCUMENTS

D. 234,631 3/1975 Ljung et al. D96/12 R X
D. 240,378 7/1976 Weddendorf D6/146

Primary Examiner—Wallace R. Burke
Assistant Examiner—Catherine Kemper
Attorney, Agent, or Firm—Jack E. Dominik

[**] Term: 14 Years

[57] CLAIM

[21] Appl. No.: 600,104

The ornamental design for an audio and visual display booth, as shown and described.

[22] Filed: July 28, 1975

DESCRIPTION

[51] Int. Cl. D6—06

FIG. 1 is a perspective view of an audio and visual display booth, showing my new design;

[52] U.S. Cl. D6/157

FIG. 2 is a top plan view, on a reduced scale, thereof; FIG. 3 is an end elevational view, on a scale similar to FIG. 2, thereof; and

[58] Field of Search D26/5 R, 5 C; D64/11 R, D64/11 A, 11 B, 11 C; D96/12 R; 353/15, 19, 46, 47; 40/28 B, 28 I, 30, 33, 44, 77, 68, 137 R, 137 D, 137 C; 312/234, 239; 352/1, 131-135; D6/85, 157, 171, 75, 146, 149

FIG. 4 is a side elevational view, on a scale similar to that of FIGS. 2 and 3 thereof.

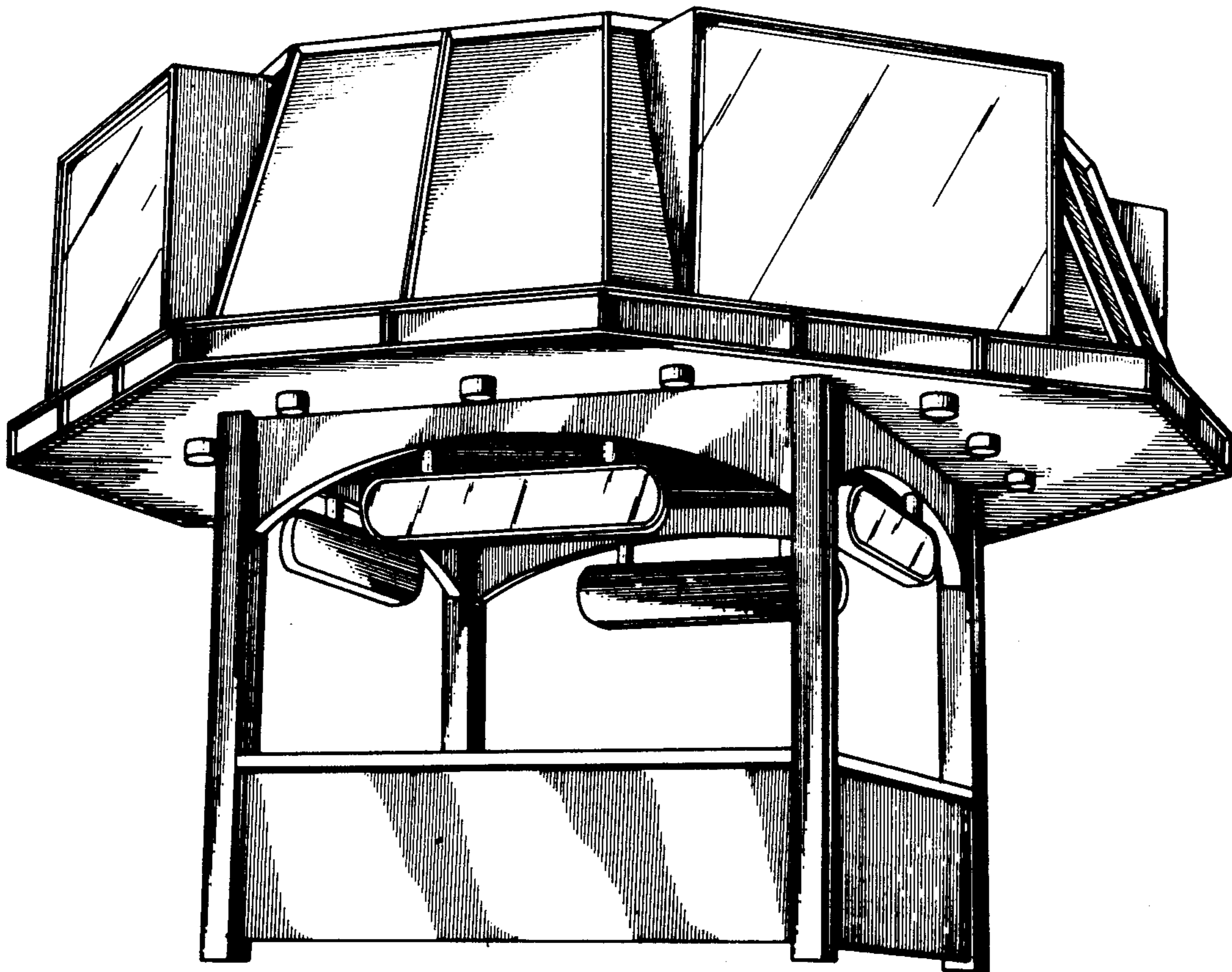


FIG. 1

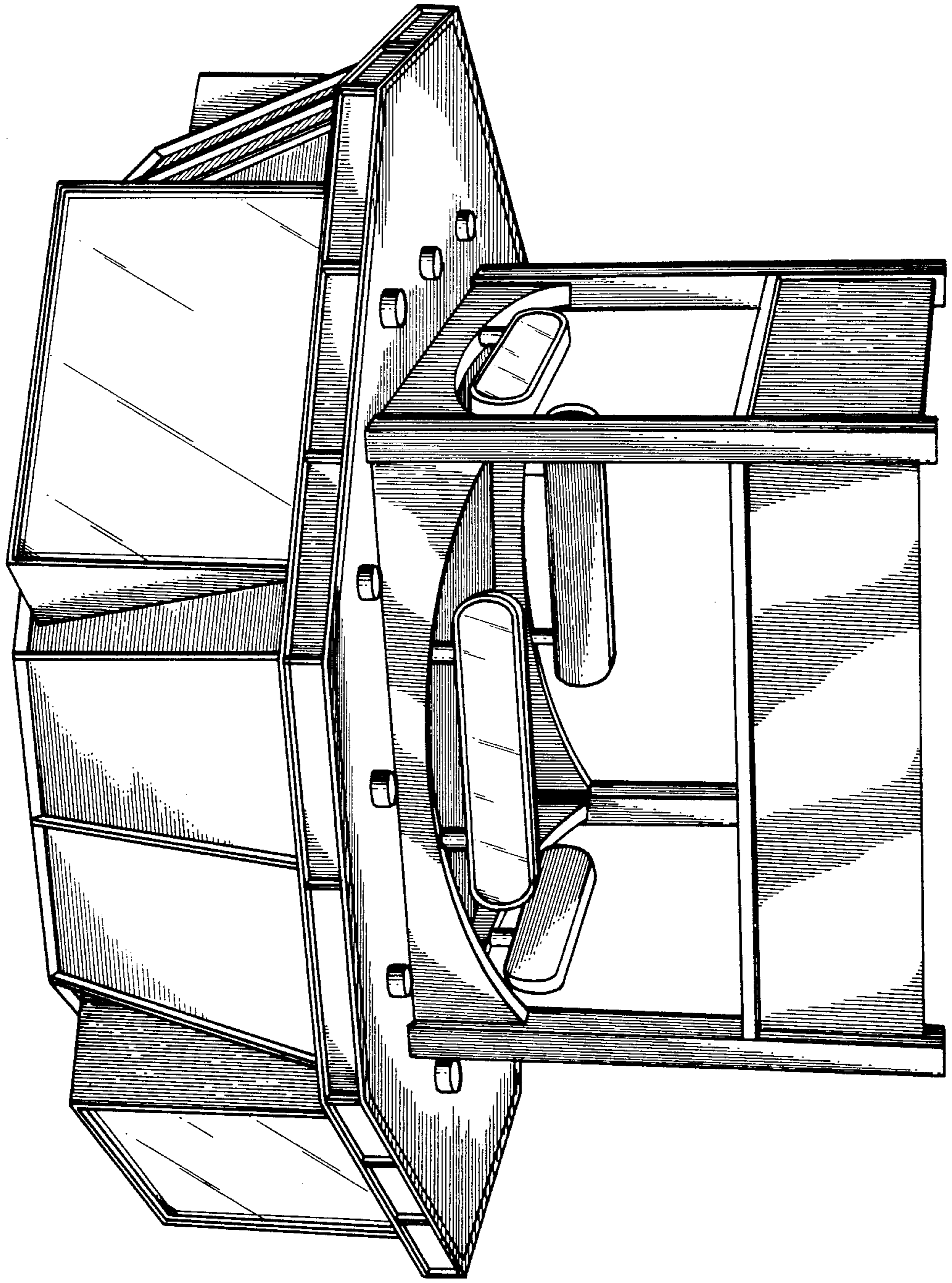


FIG. 2

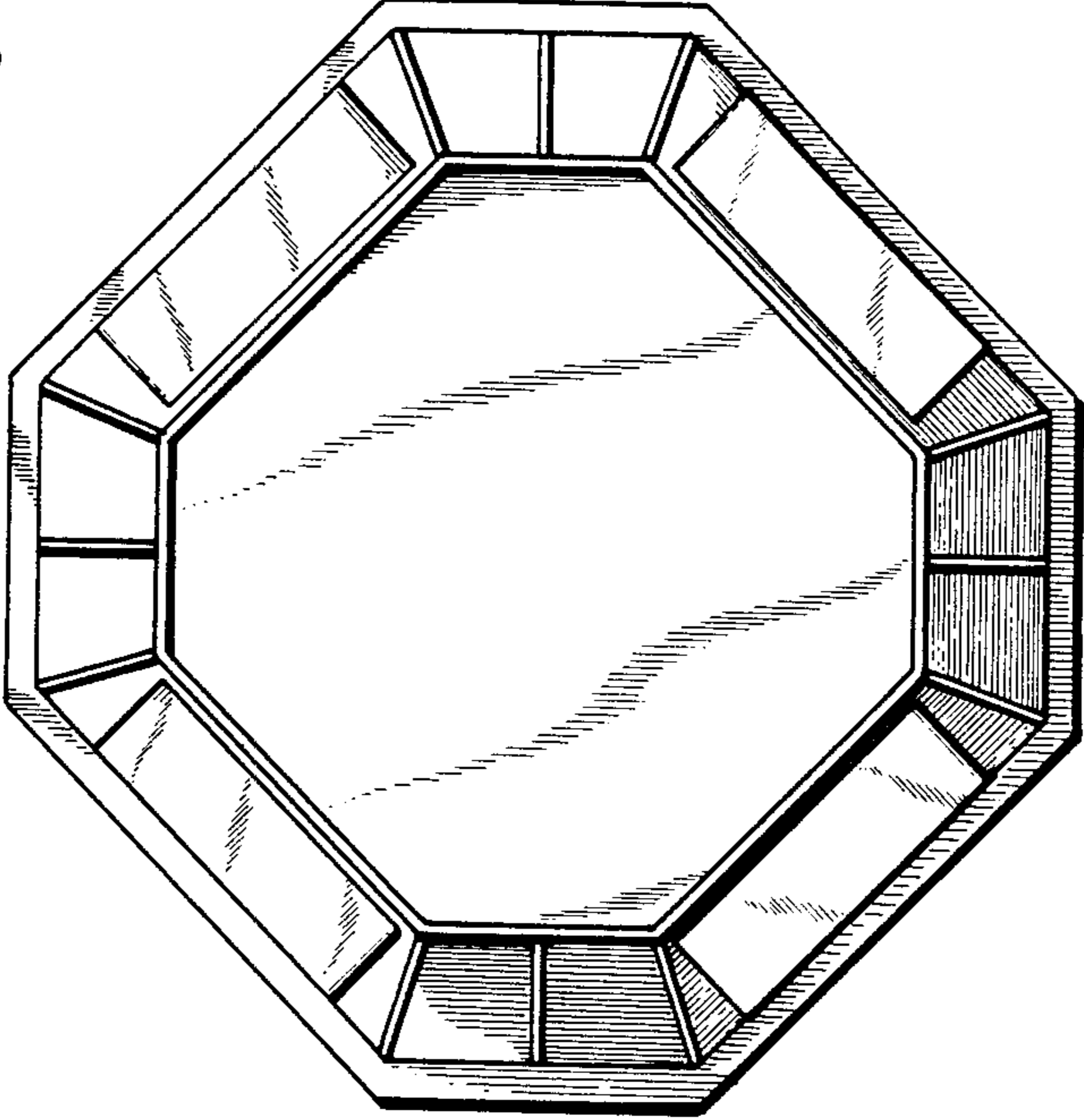


FIG. 3

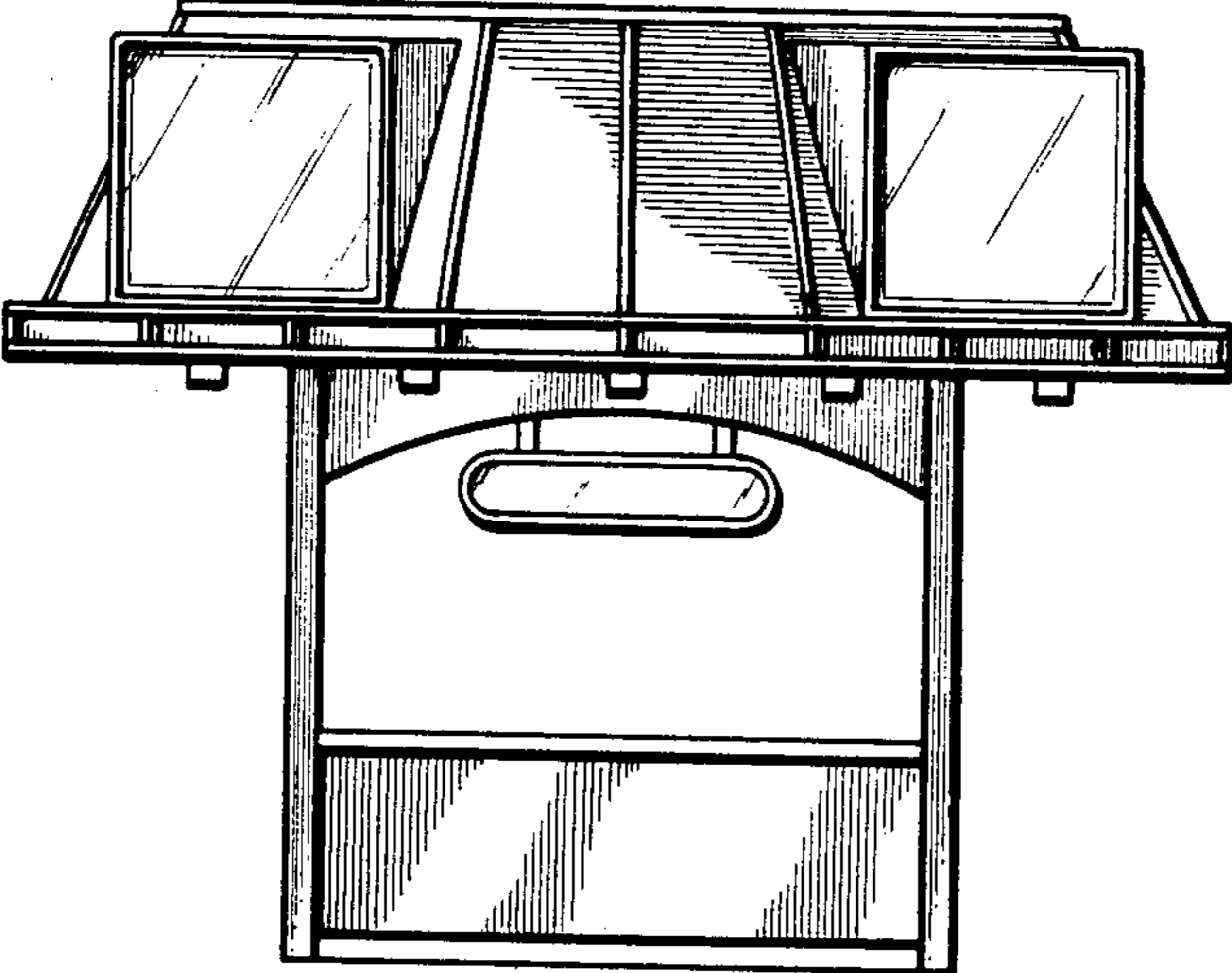


FIG. 4

