

[54] BARBECUE TOOL CABINET

[76] Inventor: John J. Schaecher, 3351 W. Grand Ave., Englewood, Colo. 80110

[**] Term: 14 Years

[21] Appl. No.: 689,100

[22] Filed: May 24, 1976

[51] Int. Cl. D6-04

[52] U.S. Cl. D6/128

[58] Field of Search D6/85, 104, 114, 127, D6/128, 146, 157, 167, 172, 173, 176, 181, 184, 186, 188, 194; 312/114, 125, 126, 128, 135, 204, 224, 227, 245, 286

[56] References Cited

U.S. PATENT DOCUMENTS

1,758,238	5/1930	Peterson	312/245
D. 105,952	9/1937	Greene	D6/128
D. 139,753	12/1944	Adams	D6/104
D. 181,602	12/1957	Polk	D6/128

Primary Examiner—Wallace R. Burke

Assistant Examiner—B. J. Bullock

Attorney, Agent, or Firm—Bertha L. Mac Gregor

[57] CLAIM

The ornamental design for a barbecue tool cabinet, substantially as shown and described.

DESCRIPTION

FIG. 1 is a perspective view of the barbecue tool cabinet embodying my new design, showing the cabinet in open position.

FIG. 2 is a front elevational view of the cabinet of FIG. 1.

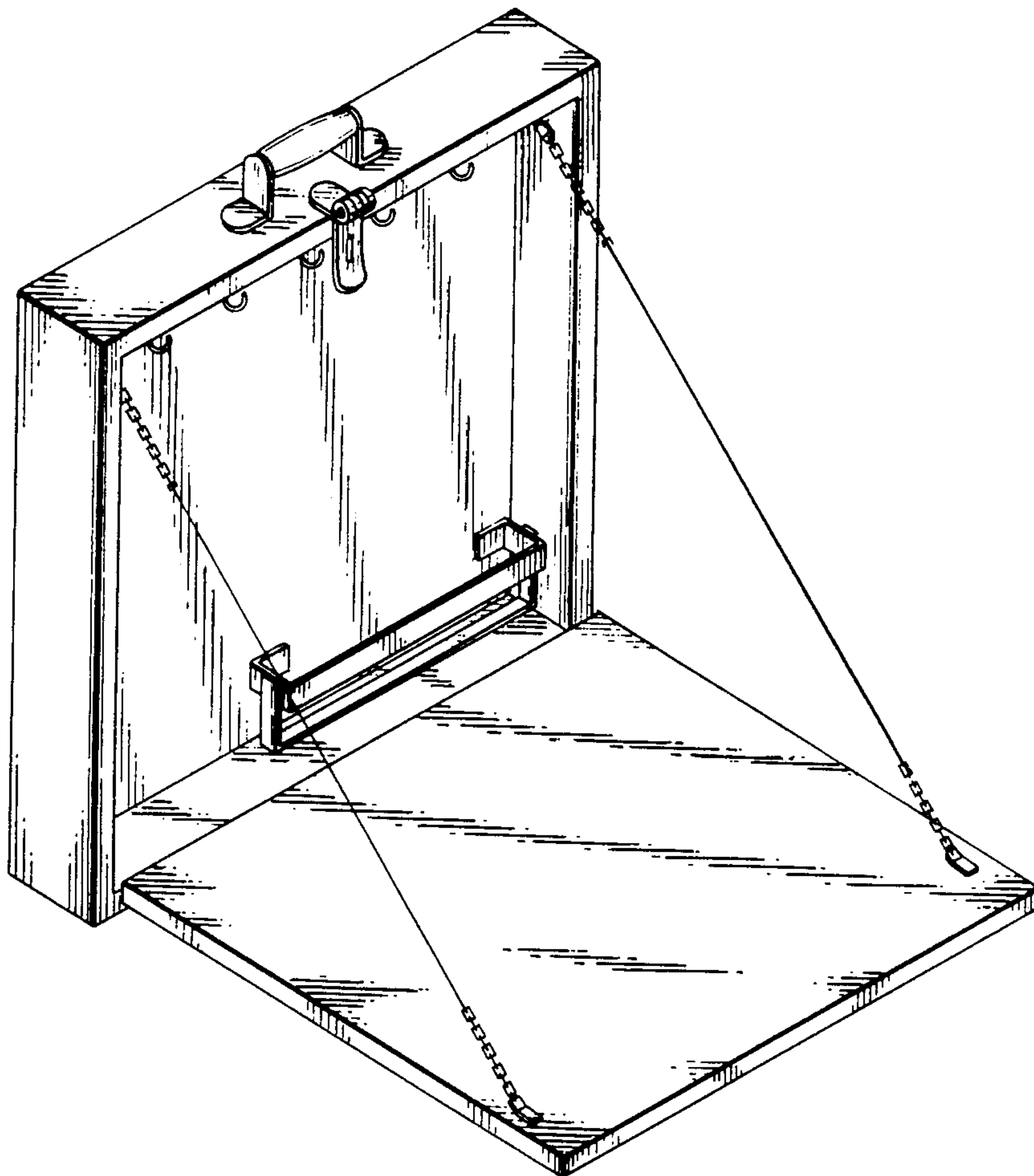
FIG. 3 is a front elevational view of the cabinet in closed position.

FIG. 4 is a rear elevational view thereof.

FIG. 5 is a side elevational view, the opposite side being a mirror image thereof.

FIG. 6 is a top plan view, and FIG. 7 is a bottom plan view thereof.

The chain in FIGS. 1 and 2 is partially shown for convenience of illustration and it is understood that the links continue the length of the lines.



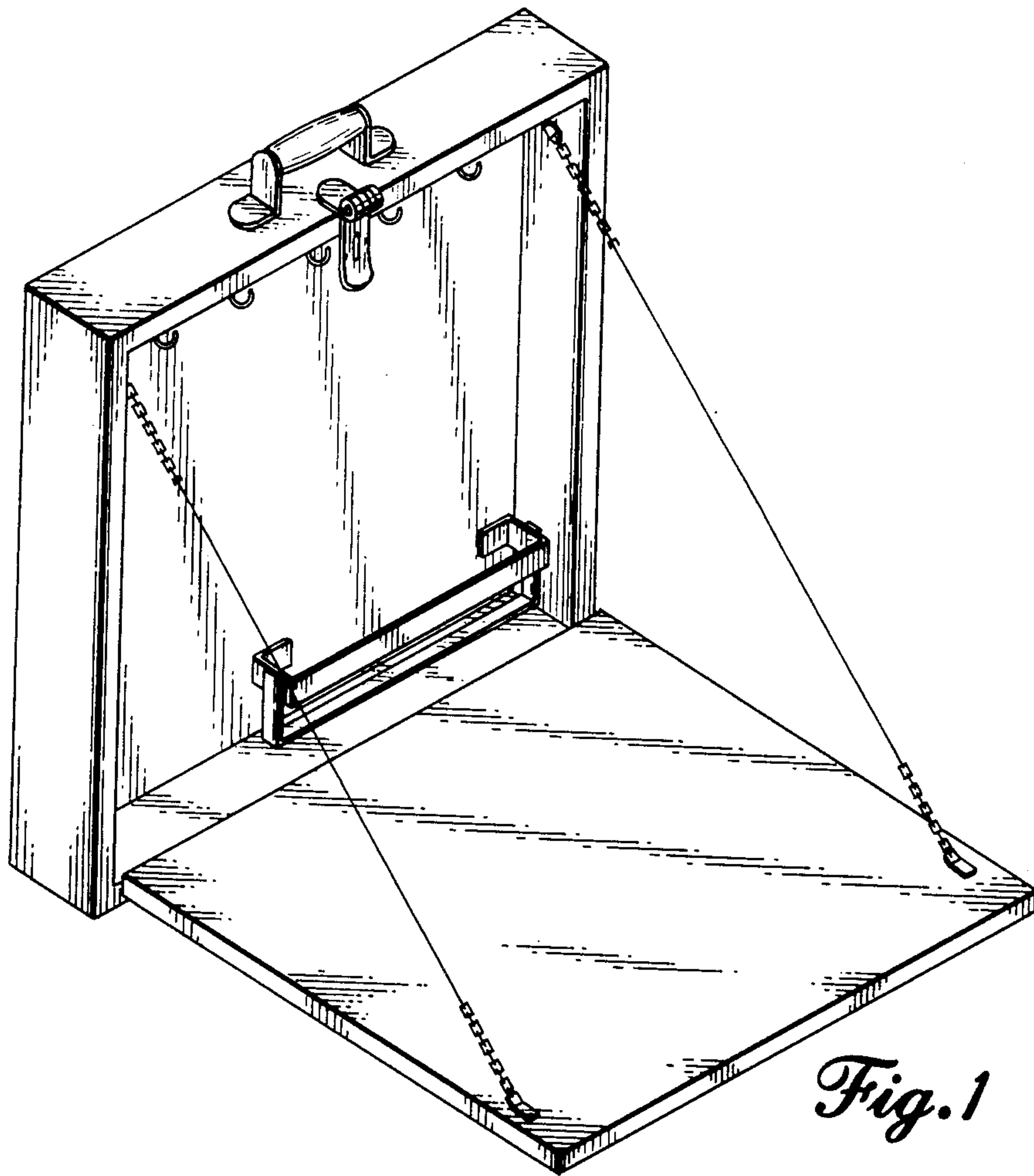


Fig. 1

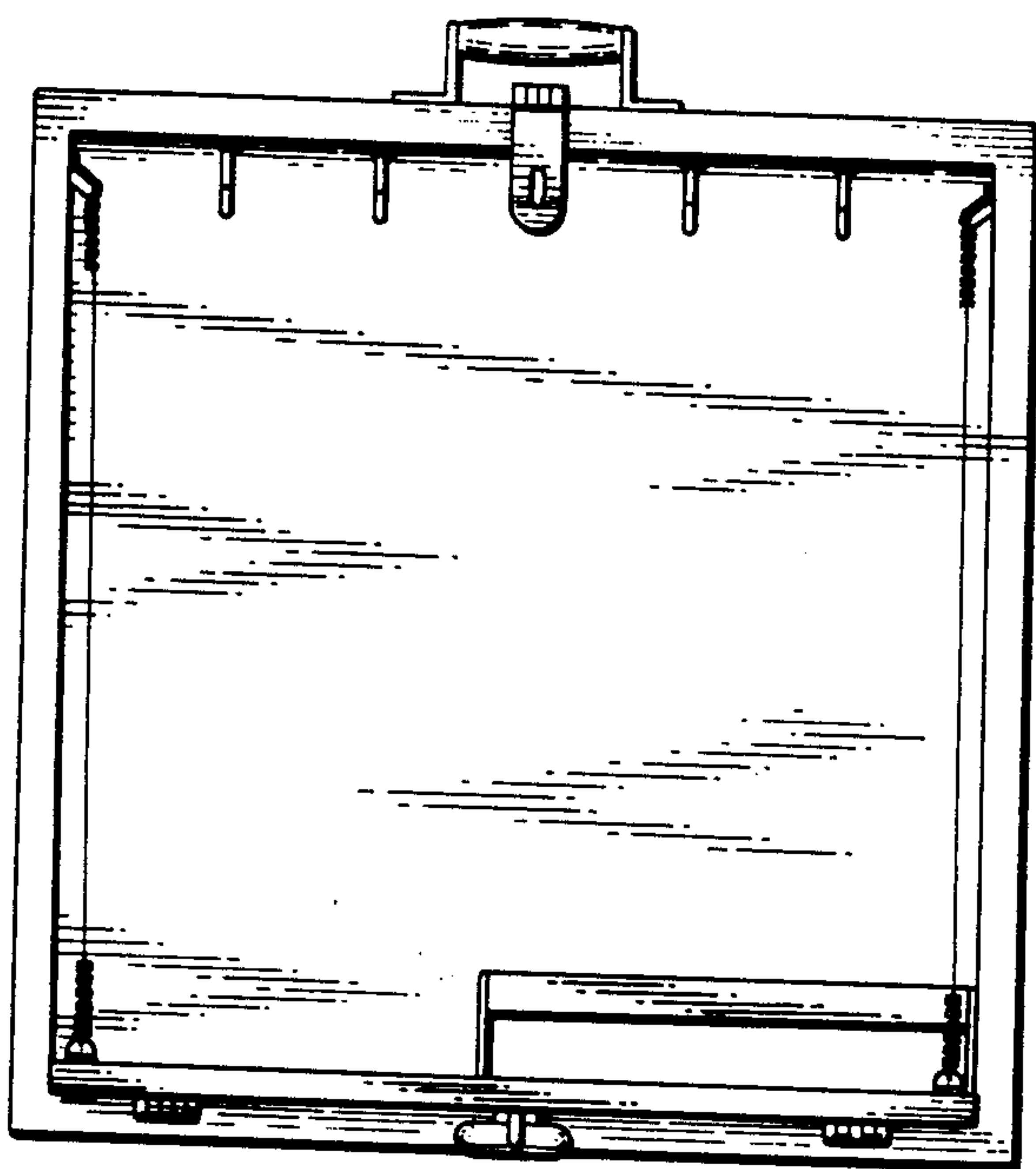


Fig. 2

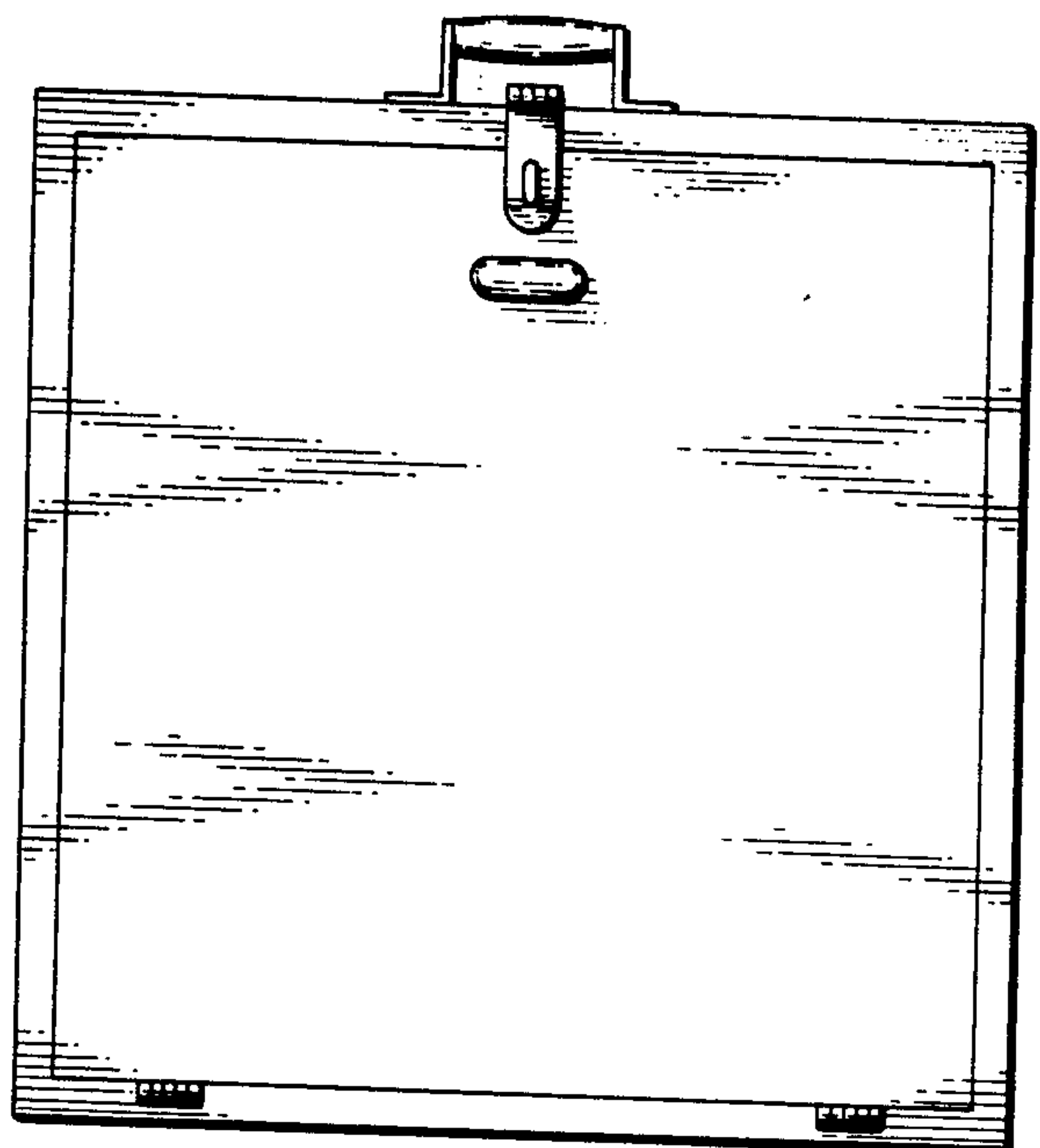


Fig. 3

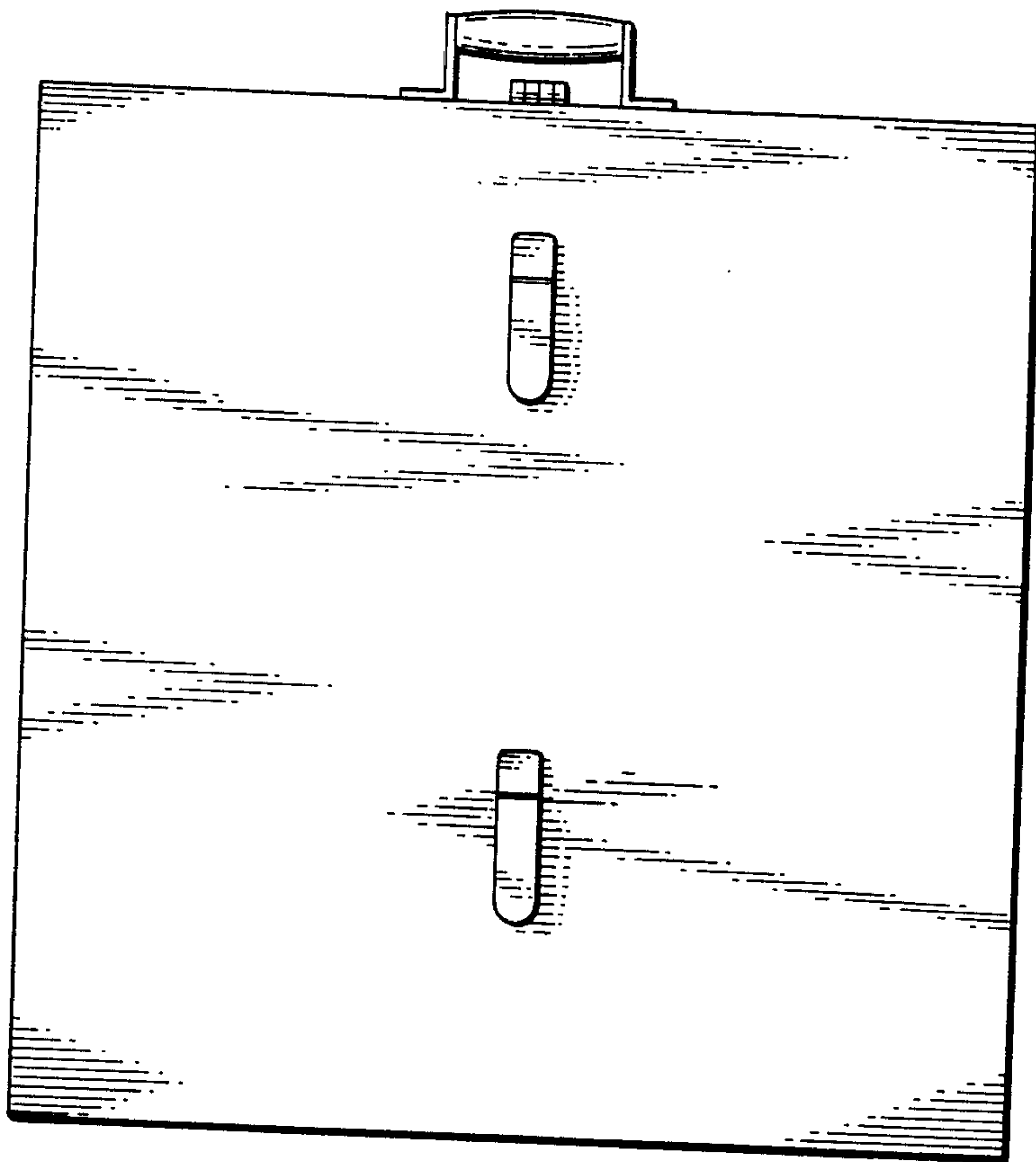


Fig. 4

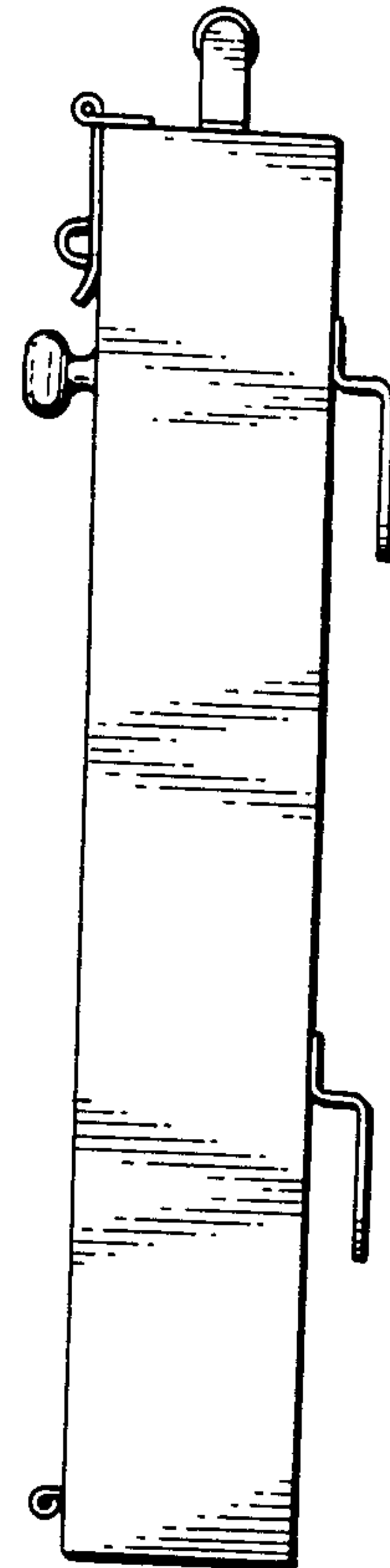


Fig. 5

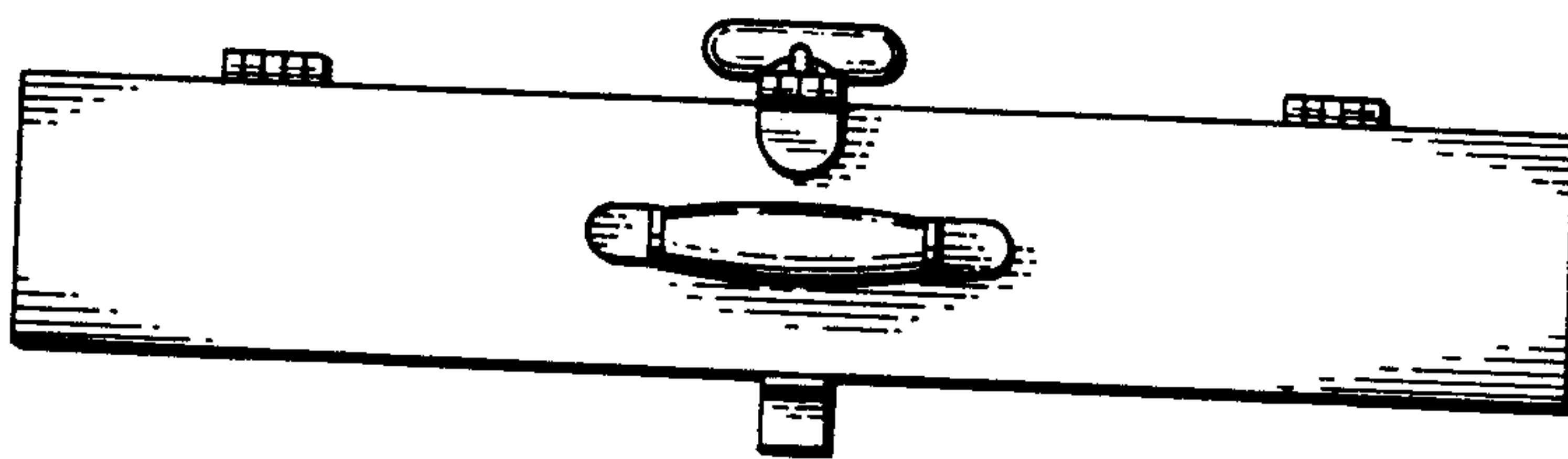


Fig. 6

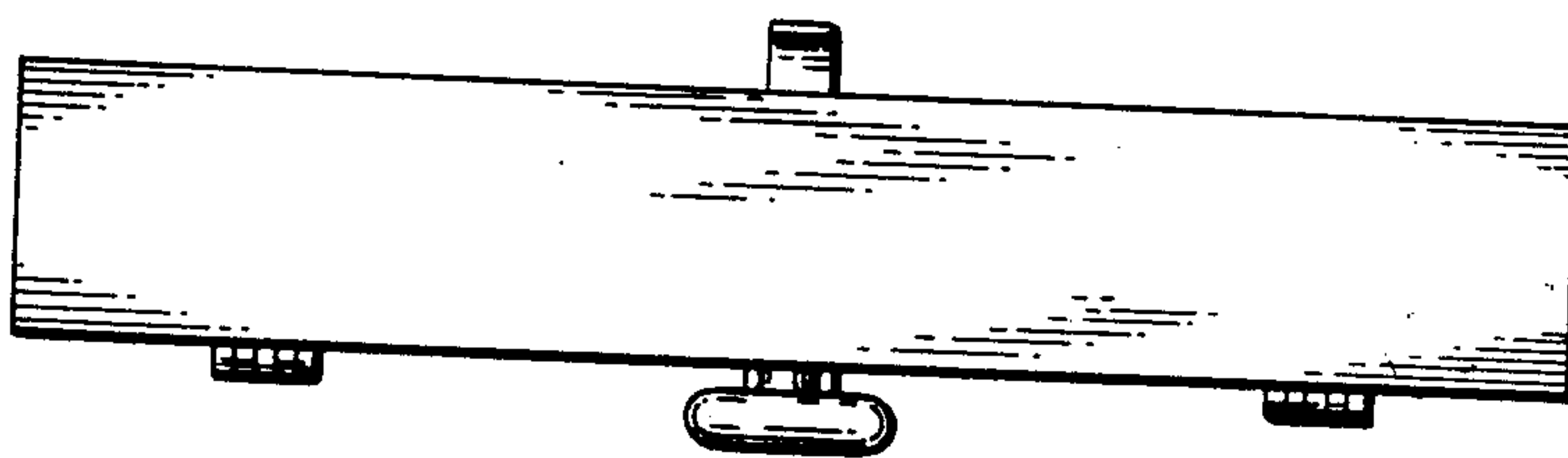


Fig. 7