

[54] CONVERTIBLE SEAT OR SIMILAR ARTICLE

[76] Inventor: Leon Summer, 8105 Howard St., Omaha, Nebr. 68114

[\*\*] Term: 14 Years

[21] Appl. No.: 576,146

[22] Filed: May 9, 1975

[51] Int. Cl. .... D6-01

[52] U.S. Cl. .... D6/63

[58] Field of Search ..... D6/47-78

[56] References Cited

U.S. PATENT DOCUMENTS

D. 217,963 7/1970 Rozett ..... D6/63 X  
D. 234,731 4/1975 McDonald ..... D6/63

OTHER PUBLICATIONS

Fine Arts, Furn. Corp., Cat. Rec. 3-23-1973, p. 147, Sofa No. 2216.

Primary Examiner—Bruce W. Dunkins  
Attorney, Agent, or Firm—Louis J. Strom

[57] CLAIM

The ornamental design for a convertible seat or similar article, substantially as shown and described.

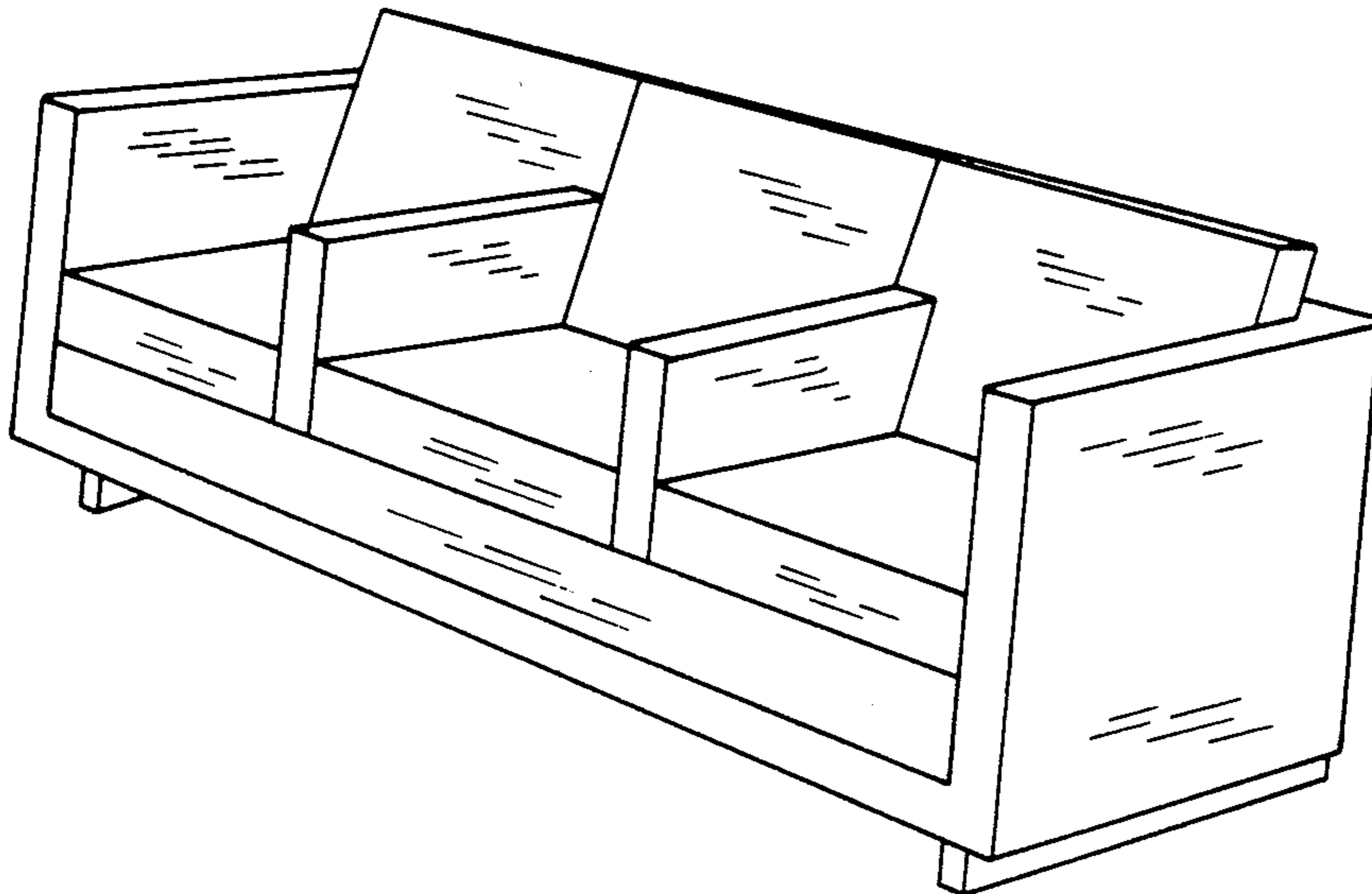
DESCRIPTION

FIG. 1 is a perspective view of a convertible seat or similar article showing my new design, with the arm rests disposed intermediate the ends thereof; thus, providing a three individual chair seat configuration, and the figure further shows the right end view wherein the left end view is a mirror image thereof.

FIG. 2 is a perspective view thereof with one of the arm rests disposed adjacent the end thereof; thus, providing a chair and love seat configuration; and

FIG. 3 is a perspective view thereof with both arm rests disposed adjacent the ends; thus, providing a sofa configuration.

The rear of the seat is plain and unornamented.



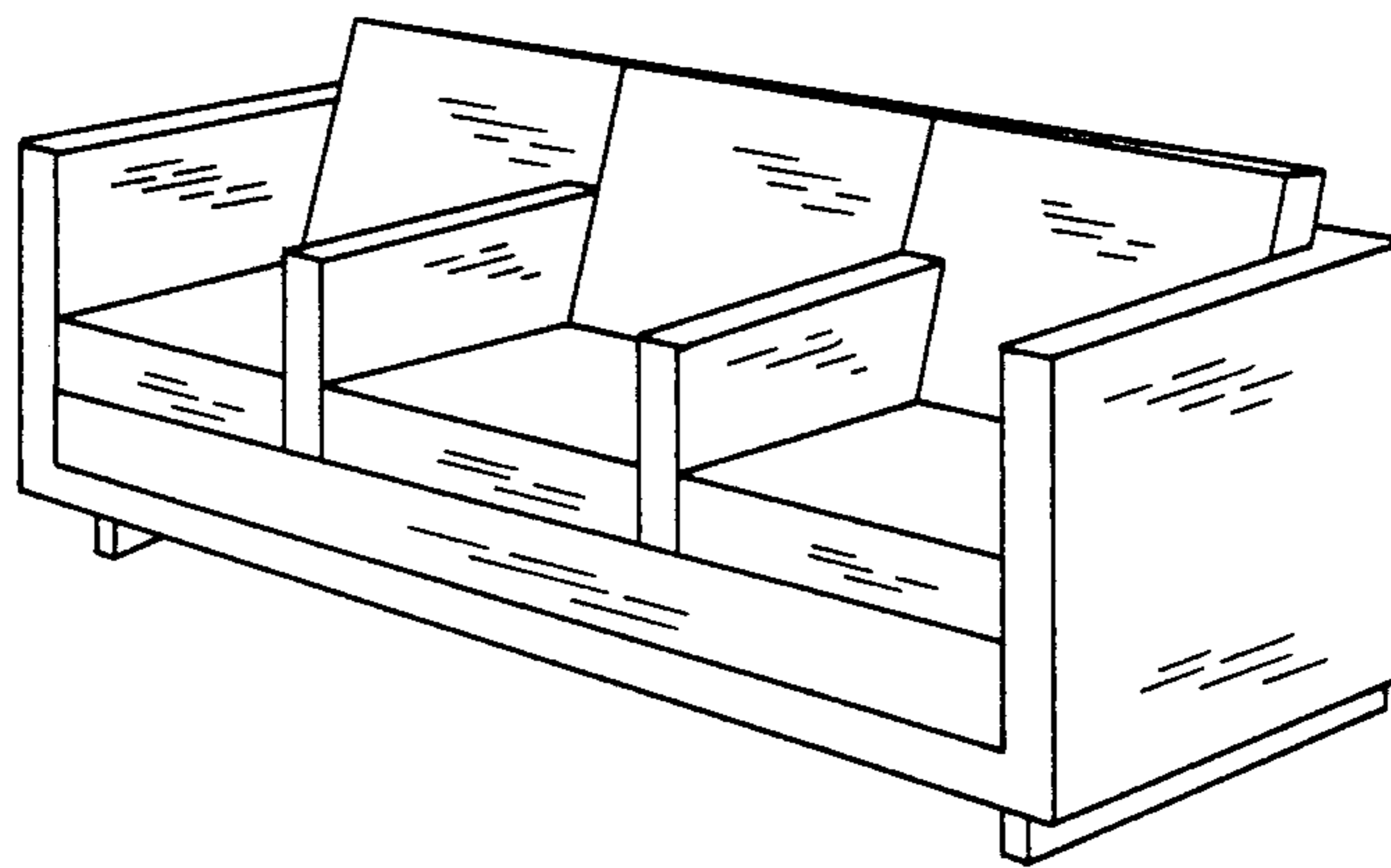


FIG. 1

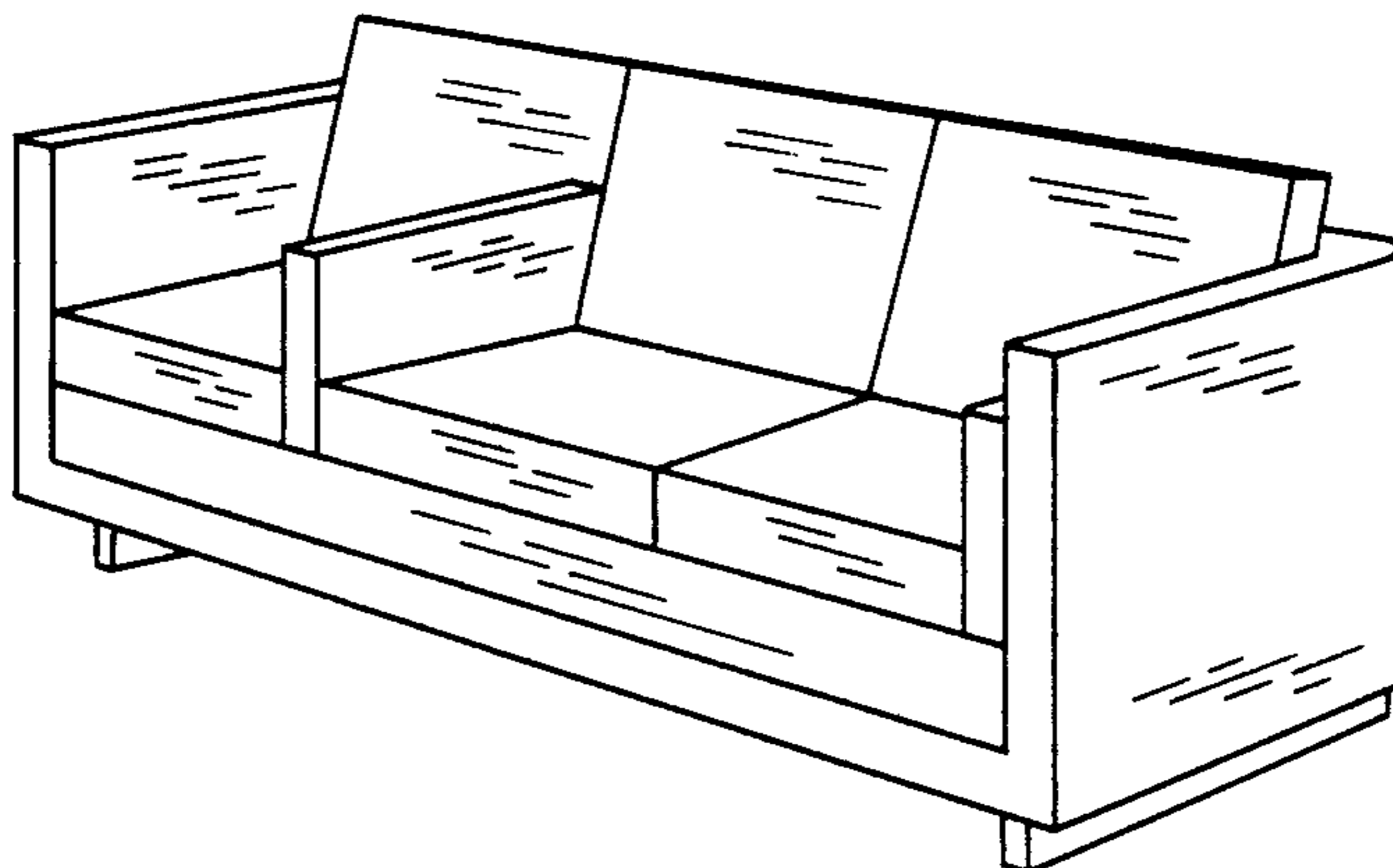


FIG. 2

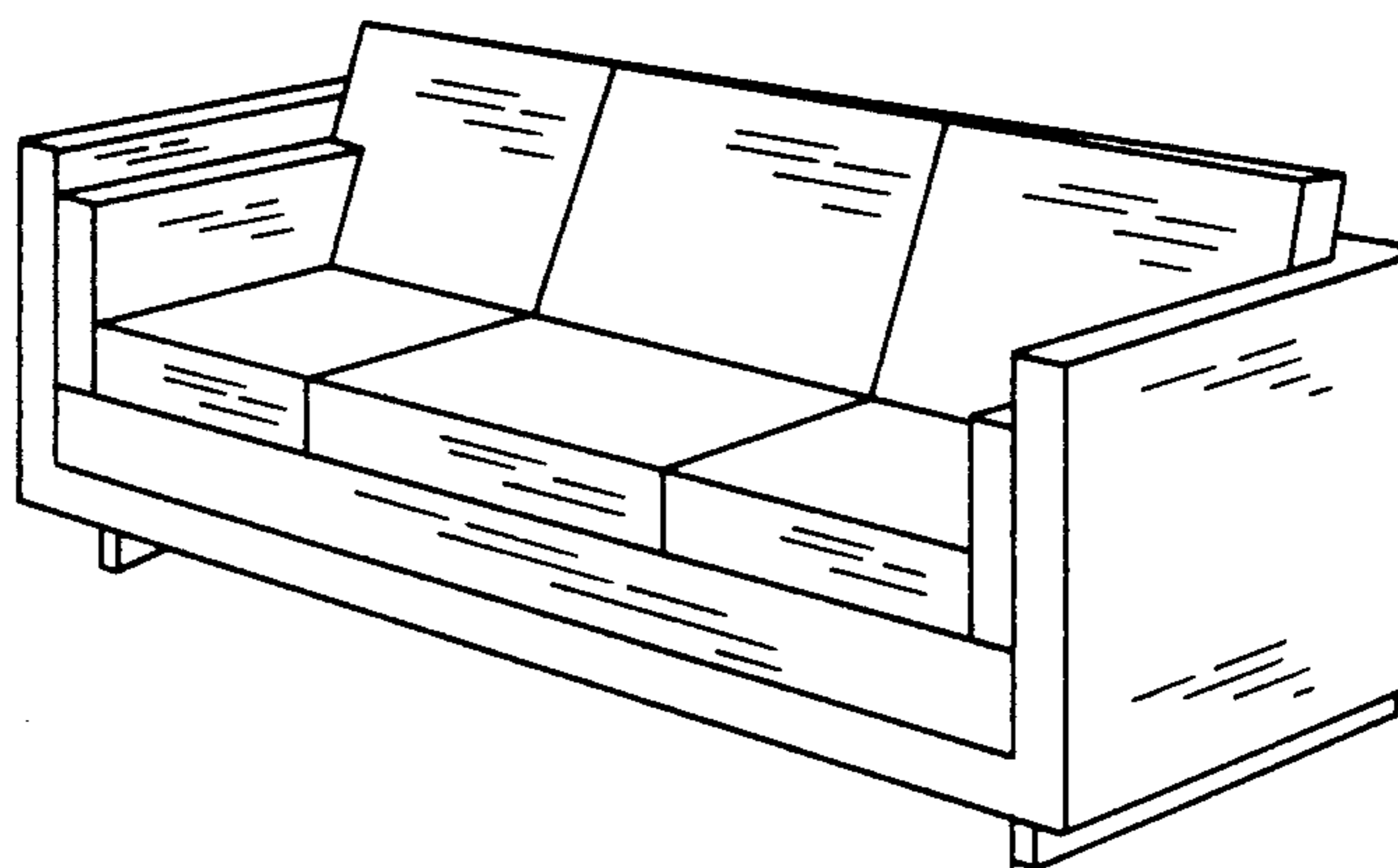


FIG. 3