

[54] **COLLAPSIBLE PICNIC TABLE**
 [75] Inventor: **Philip E. Uhl**, Luna Pier, Mich.
 [73] Assignee: **Toledo Metal Furniture Company**,
 Toledo, Ohio
 [**] Term: **14 Years**
 [21] Appl. No.: **631,614**
 [22] Filed: **Nov. 13, 1975**
 [51] Int. Cl. **D6-06**
 [52] U.S. Cl. **D6/45**
 [58] Field of Search 297/157; D6/42-45

[56] **References Cited**
U.S. PATENT DOCUMENTS
 2,722,971 11/1955 Gallagher et al. D6/45 X
 3,574,393 4/1971 Hughes 297/157

D. 183,545 9/1958 Shore D6/45
 D. 231,963 7/1974 May D6/45

Primary Examiner—Bruce W. Dunkins
Attorney, Agent, or Firm—Allen Owen

[57] **CLAIM**

The ornamental design for a collapsible picnic table, substantially as shown.

DESCRIPTION

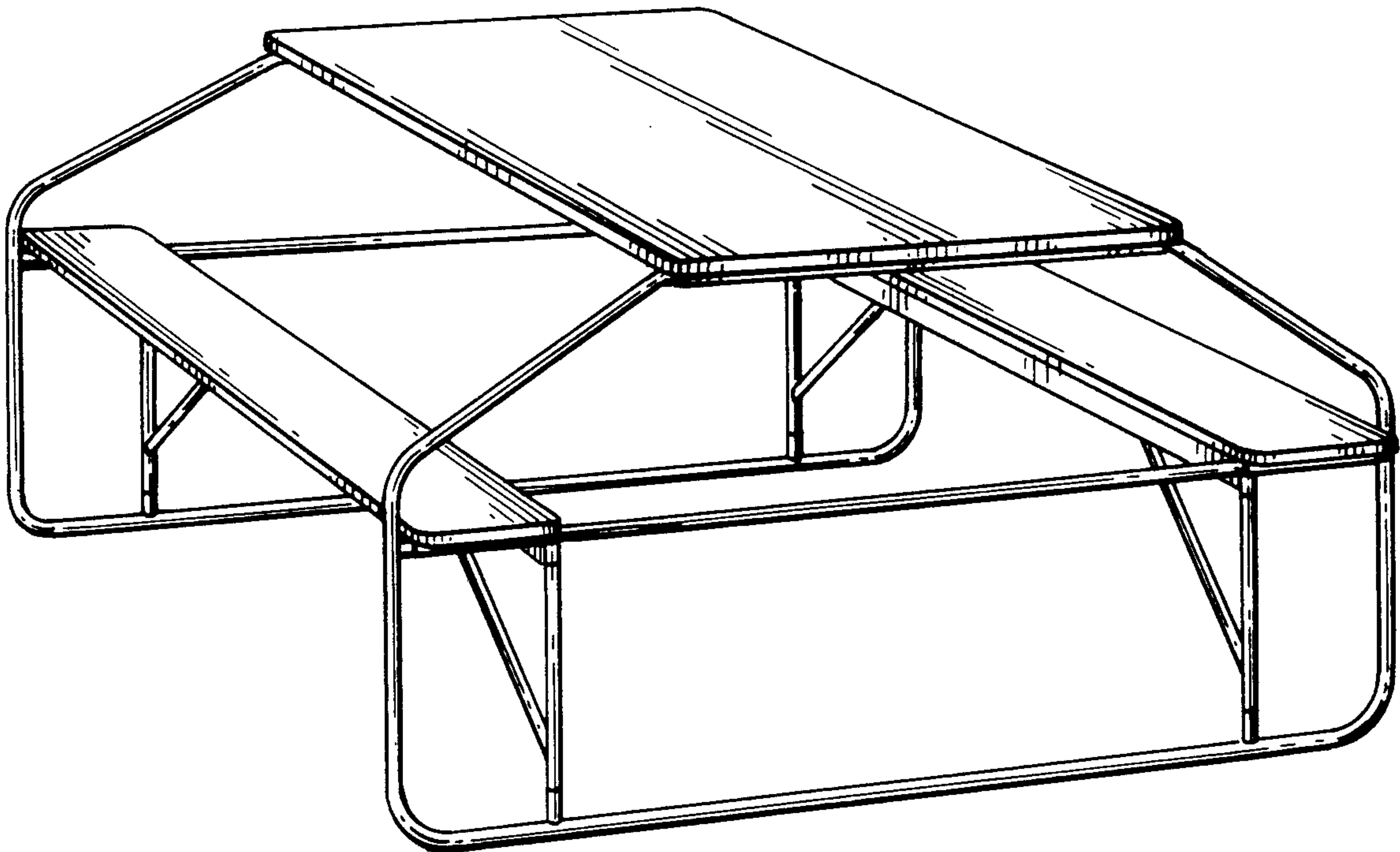
FIG. 1 is a perspective view of a collapsible picnic table constructed in accordance with the design of the present invention.

FIG. 2 is an end elevational view thereof.

FIG. 3 is a side elevational view thereof.

FIG. 4 is a top plan view thereof.

FIG. 5 is a bottom plan view.



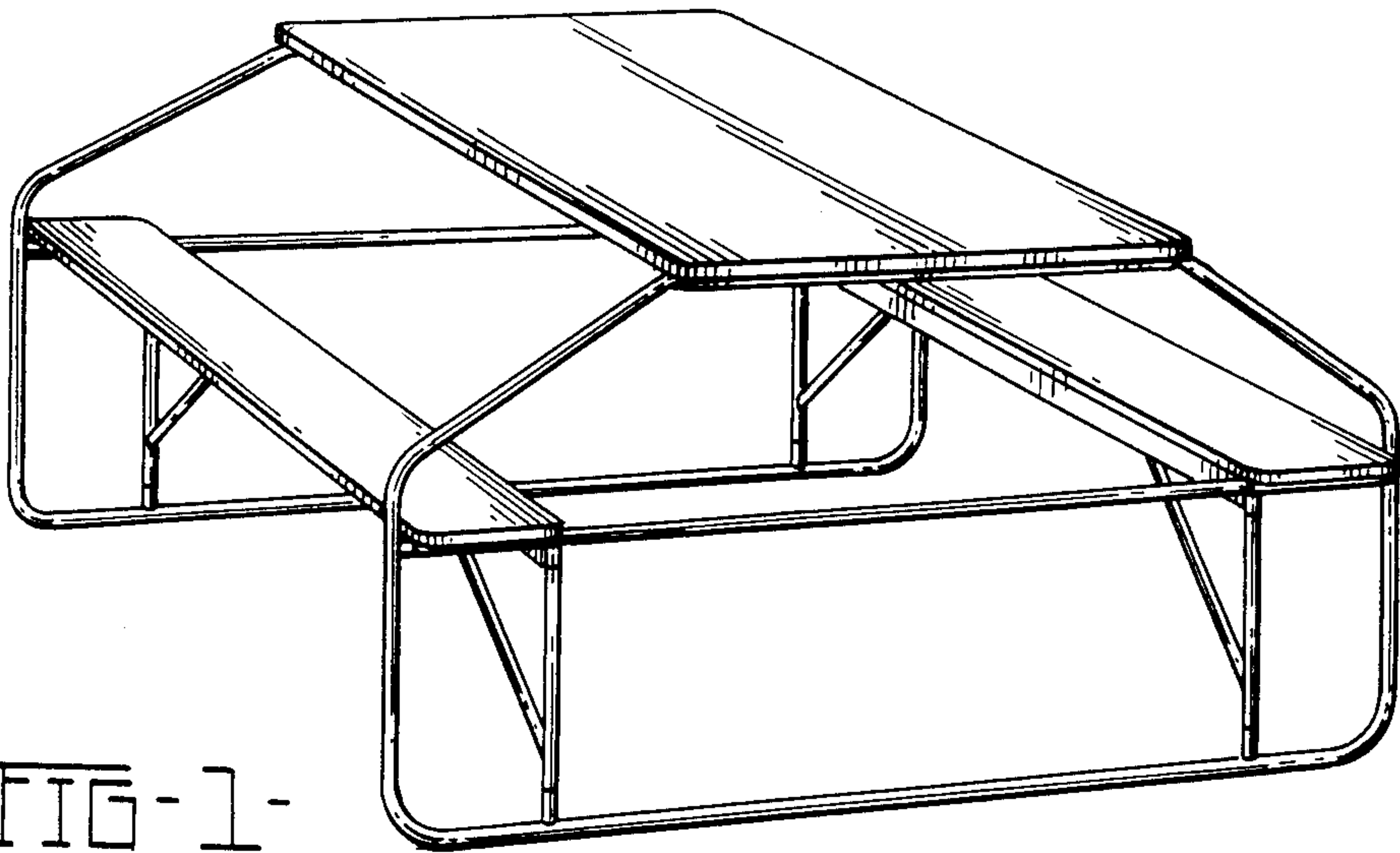


FIG-1-

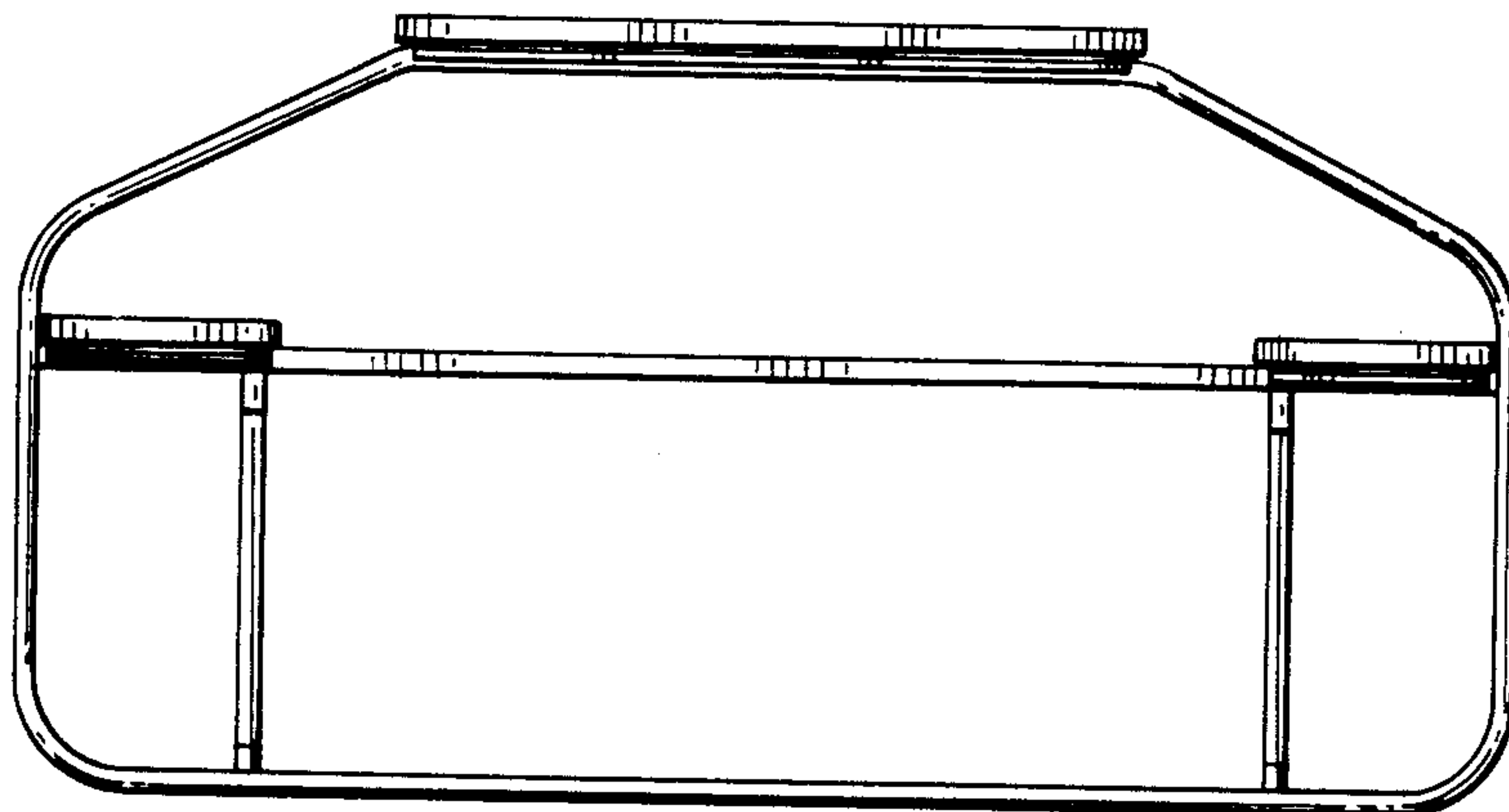


FIG-2-

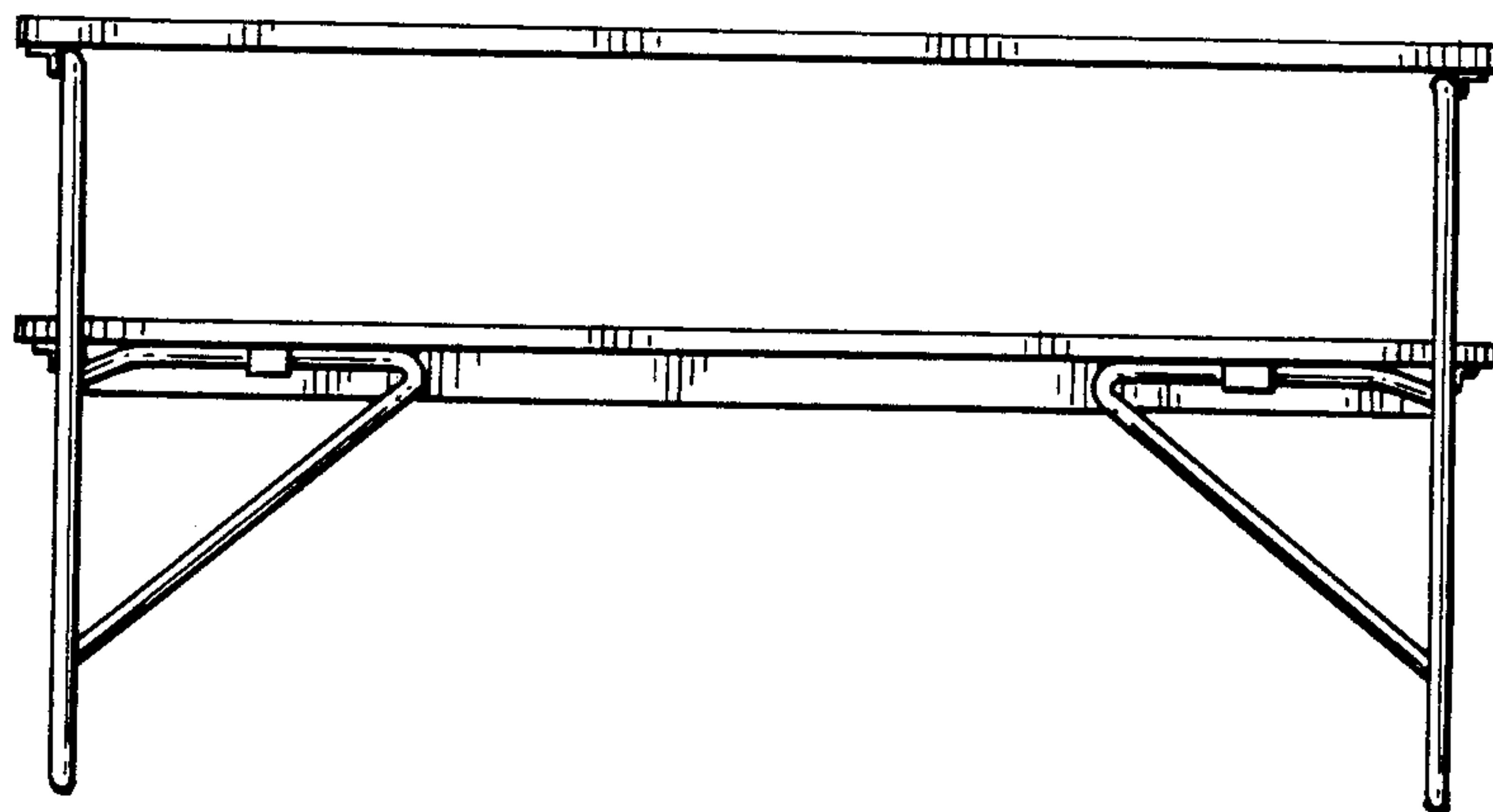


FIG-3-

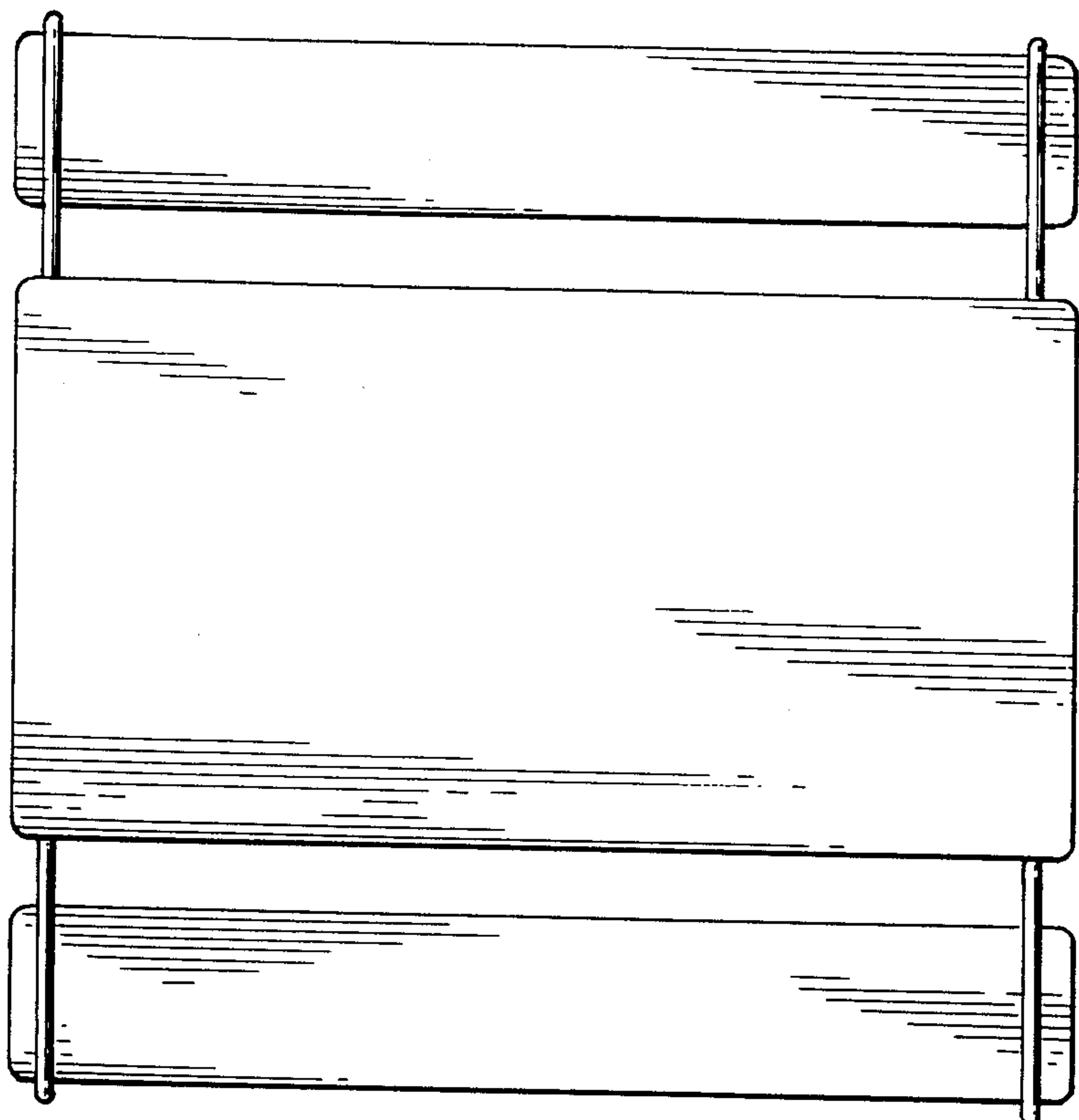


FIG-4 -

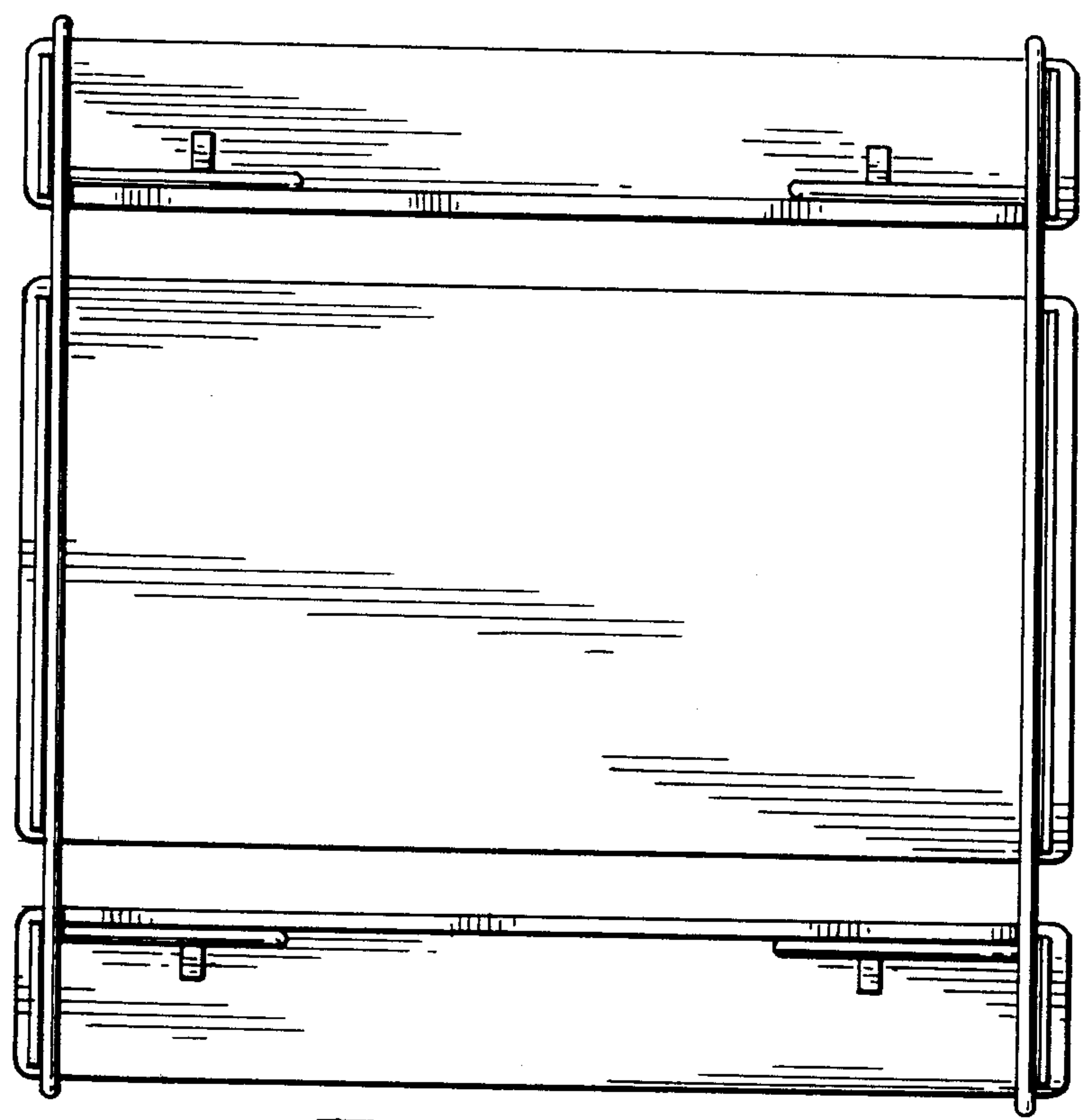


FIG-5 -