

[54] CUP
 [75] Inventor: **Hubert E. Christian**, Phoenix, Ariz.
 [73] Assignee: **Dart Industries Inc.**, Los Angeles, Calif.
 [**] Term: **14 Years**
 [21] Appl. No.: **536,758**
 [22] Filed: **Dec. 27, 1974**
 [51] Int. Cl. **D7-01**
 [52] U.S. Cl. **D7/15**
 [58] Field of Search **D9/220; 229/1.5 B; D7/6, 13, 14, 15**

D. 206,358 11/1966 Griese, Jr. D9/220
 D. 208,872 10/1967 Davis D9/220
 D. 209,306 11/1967 Schilling D7/15
 D. 209,308 11/1967 Schilling D7/15

Primary Examiner—Robert C. Spangler
Attorney, Agent, or Firm—Kenneth J. Hovet

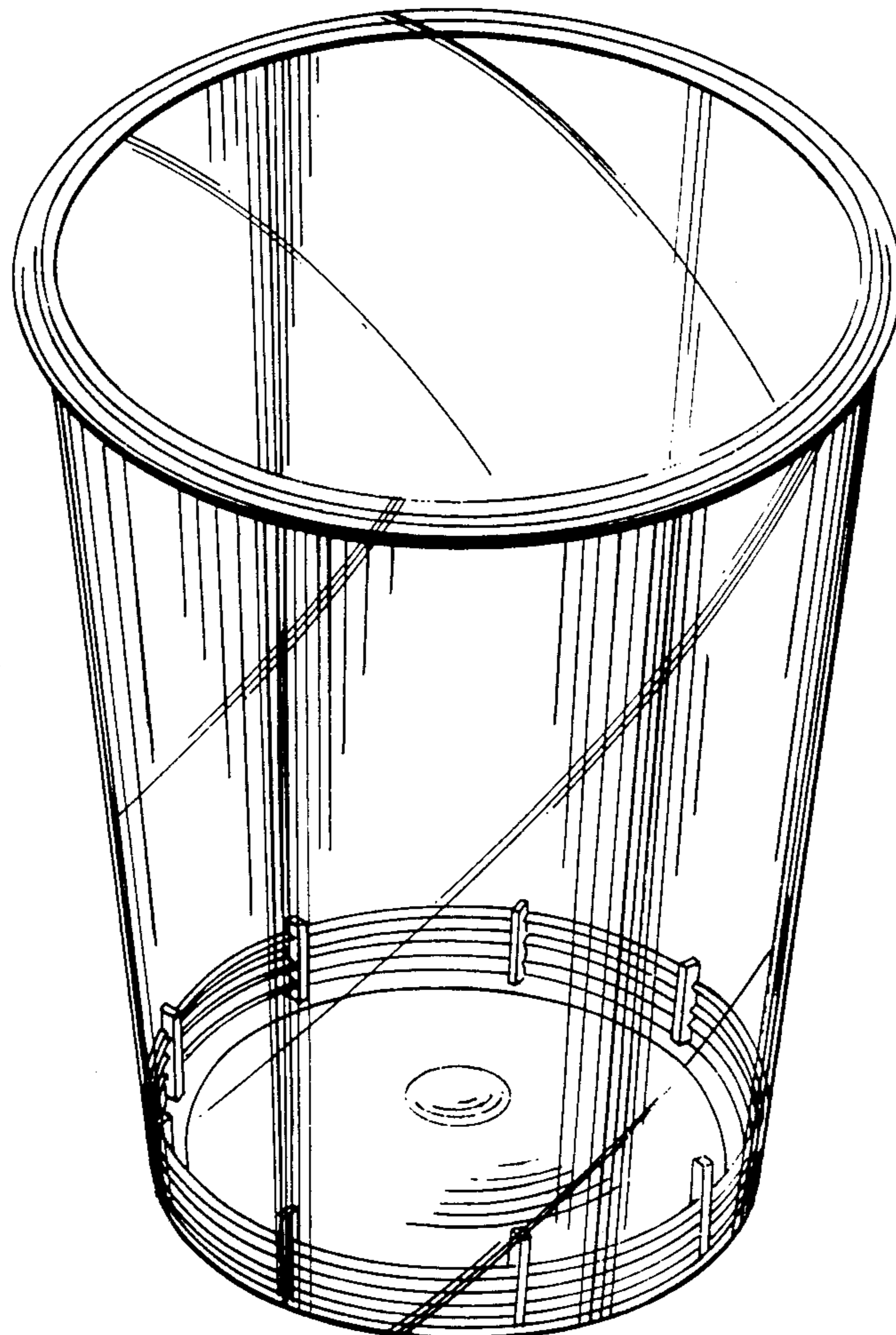
[57] CLAIM

The ornamental design for a cup, substantially as shown and described.

DESCRIPTION

FIG. 1 is a perspective view of a cup embodying my new design;
 FIG. 2 is a top plan view;
 FIG. 3 is a bottom plan view;
 FIG. 4 is a side elevation view; and,
 FIG. 5 is a cross-section taken along line 5—5 of FIG. 2.

[56] **References Cited**
U.S. PATENT DOCUMENTS
 3,208,631 9/1965 Edwards D9/220 X
 3,441,173 4/1969 Edwards D9/220 X



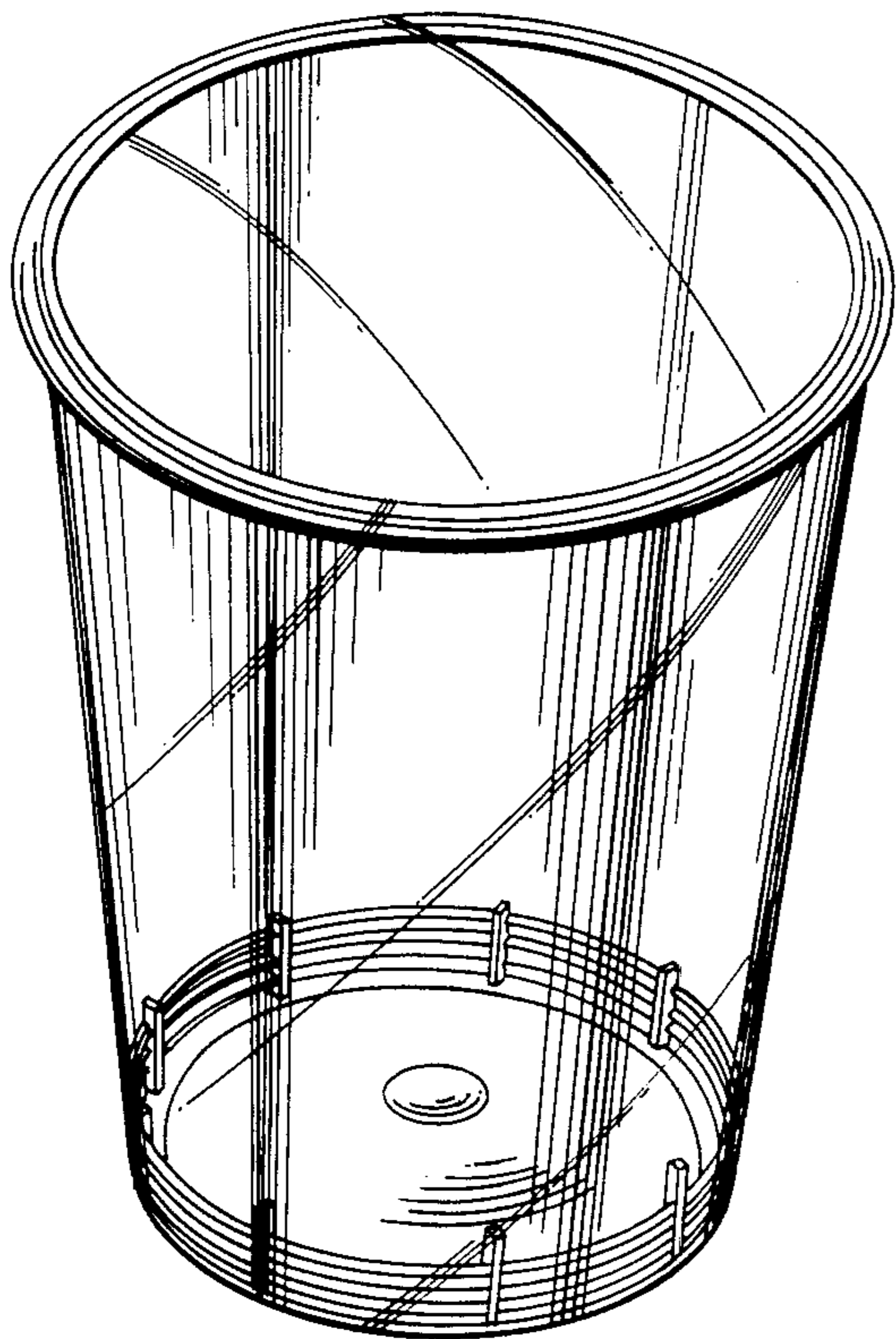


FIG. 1

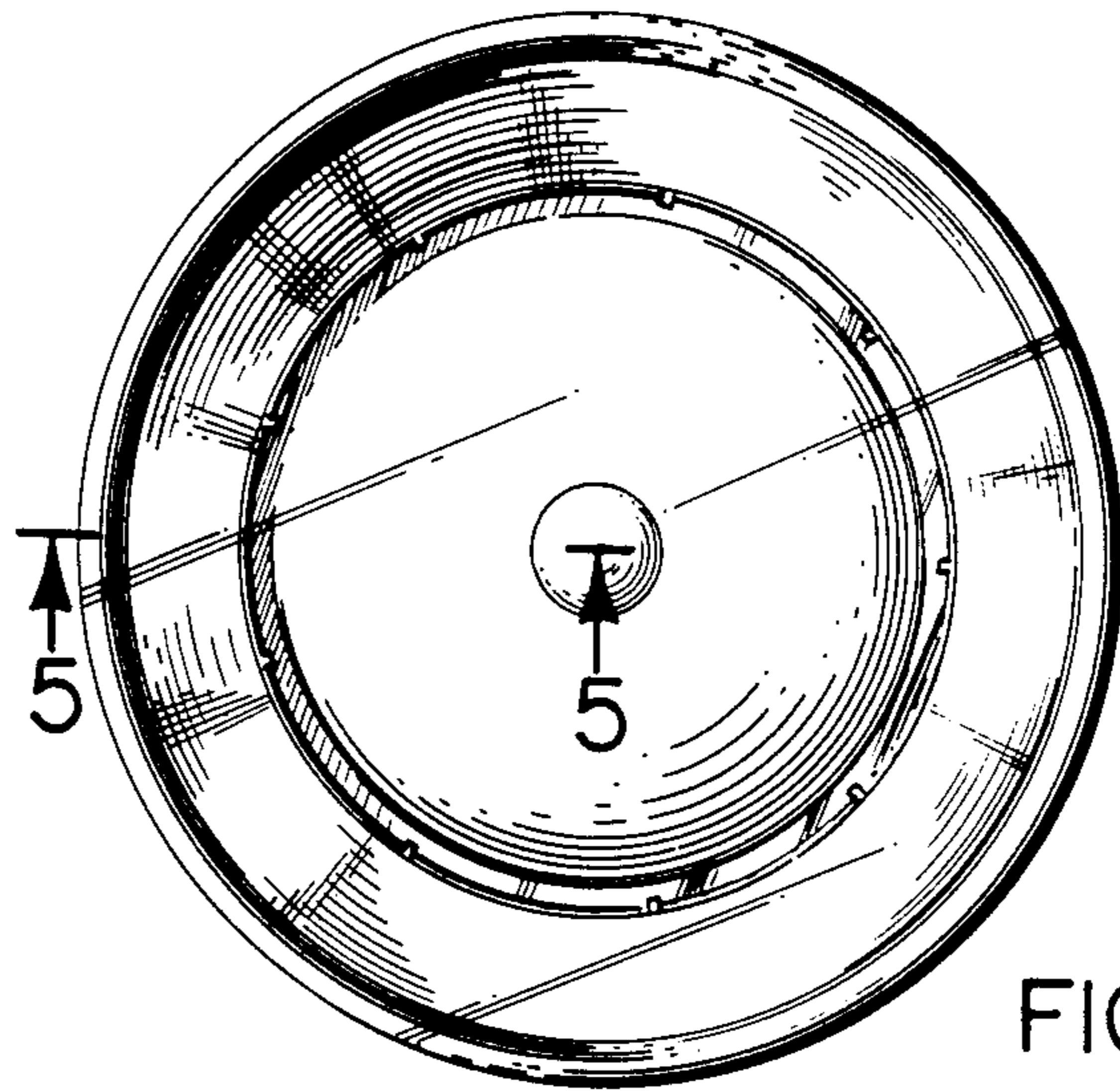


FIG. 2

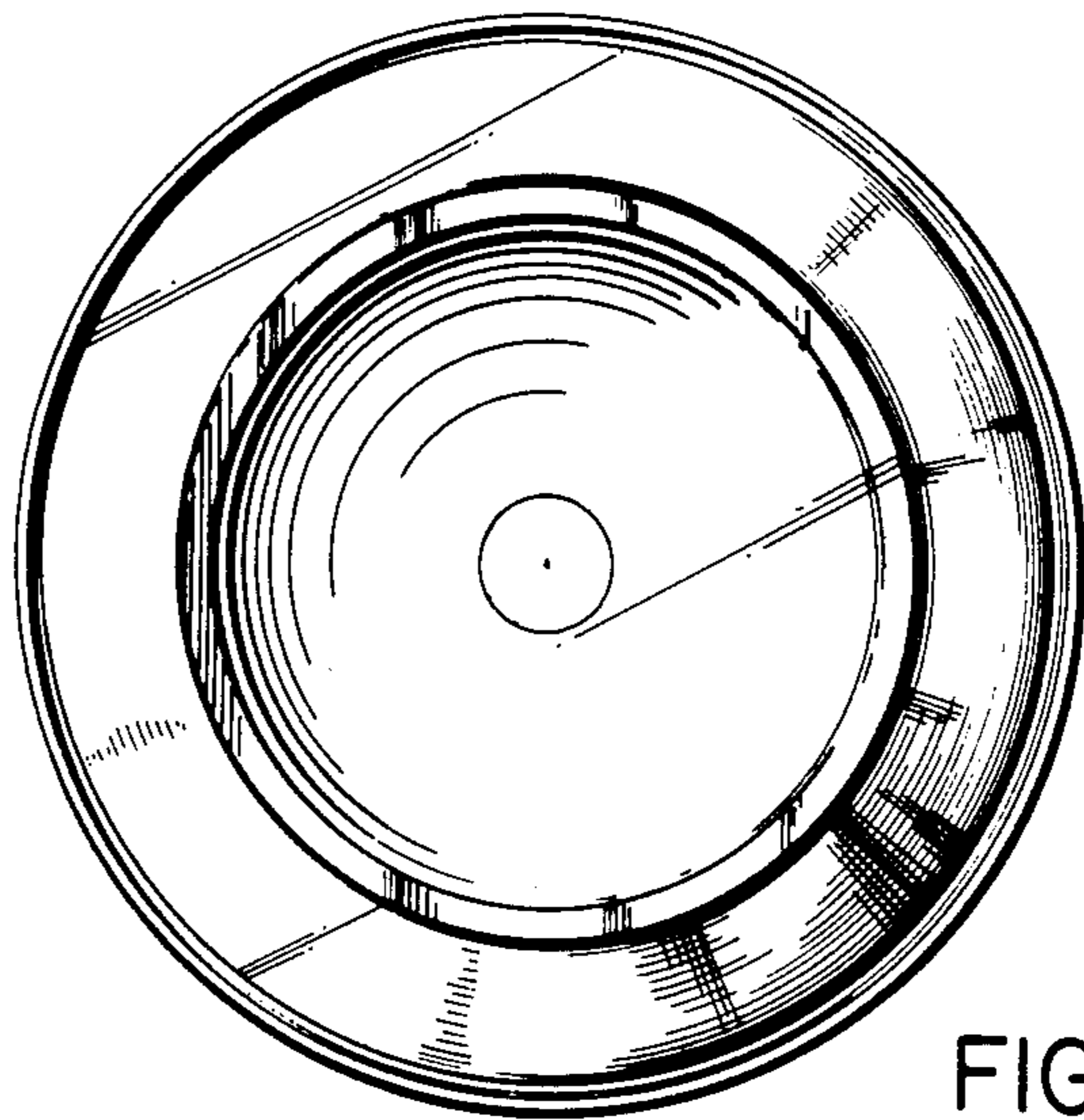


FIG. 3

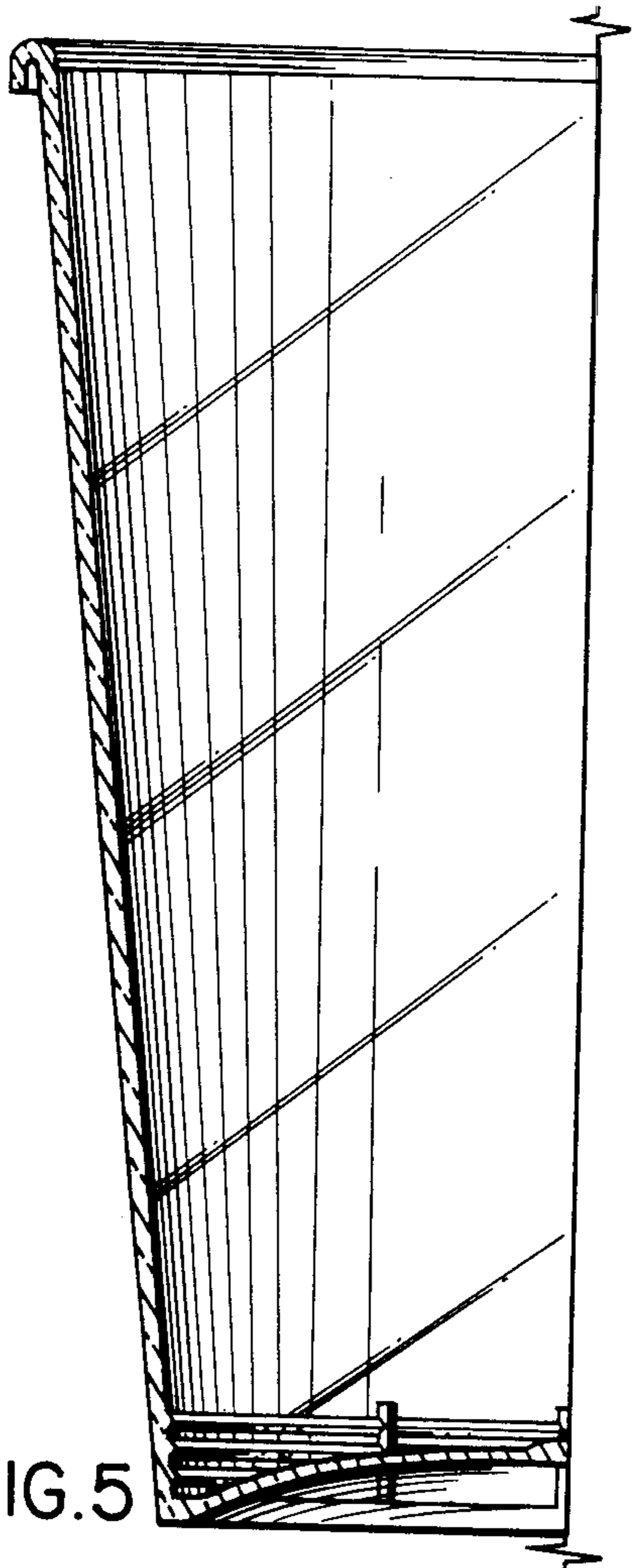


FIG. 5

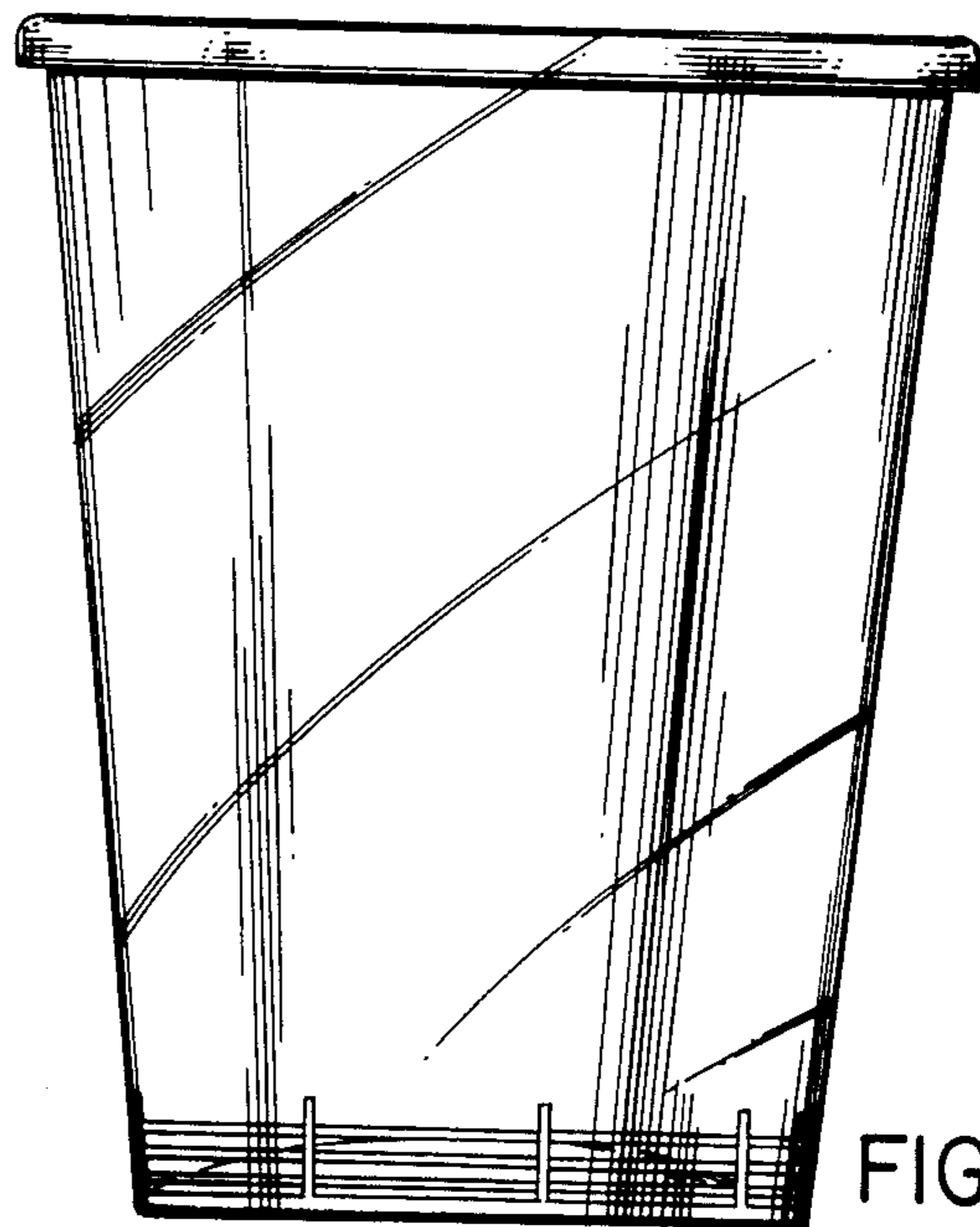


FIG. 4