

[54] NEBULIZER COVER OR SIMILAR ARTICLE

D. 231,866 6/1974 Blank et al. D83/1 N

[75] Inventors: Robert J. Aul, Perrysburg, Ohio;
Robert S. Babington, McLean, Va.;
Glenn H. Dunlap, Maumee; Wayne
J. Zitkus, Toledo, both of Ohio

[73] Assignee: American Hospital Supply
Corporation, Evanston, Ill.

[**] Term: 14 Years

[21] Appl. No.: 577,529

[22] Filed: May 14, 1975

[51] Int. Cl. 24/02

[52] U.S. Cl. D24/62

[58] Field of Search D83/1 N, 1 F, 1 M;
D23/4, 17; 128/194; 222/541; 239/338, 337

[56] References Cited

U.S. PATENT DOCUMENTS

3,353,536	11/1967	Bird et al.	128/194
3,395,703	8/1968	Chouinard et al.	128/194
3,572,660	3/1971	Mahon	128/194
3,724,454	4/1973	Brown	128/194

OTHER PUBLICATIONS

V. Mueller Hospital Cat. No. 65, c. 1963, p. 612, item
F, Nebulizer.

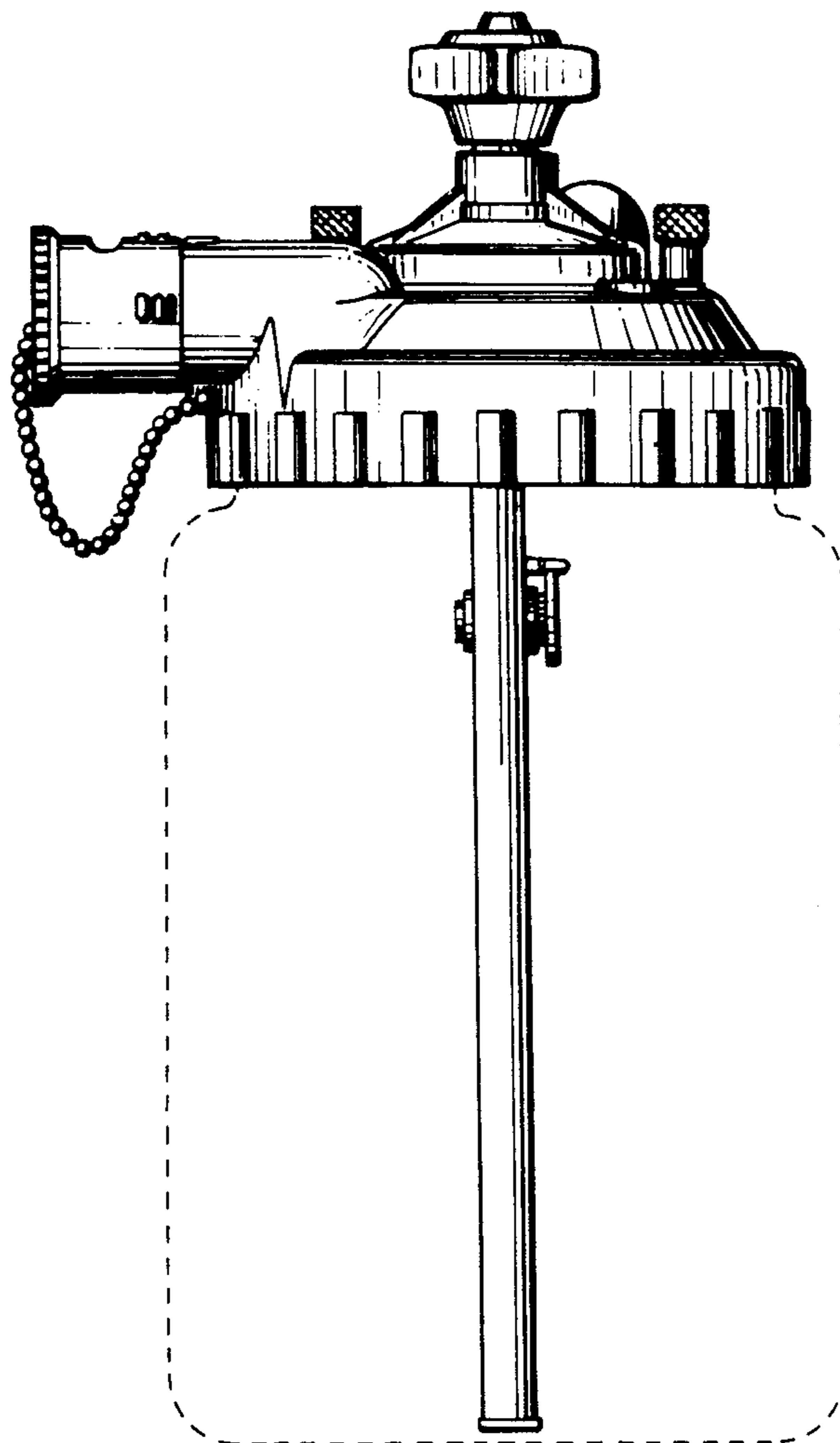
Primary Examiner—Bernard Ansher
Attorney, Agent, or Firm—Y. Judd Azulay

[57] CLAIM

The ornamental design for a nebulizer cover or similar
article, as shown.

DESCRIPTION

FIG. 1 is an elevational view of one side of a nebulizer
cover or similar article showing our new design;
FIG. 2 is a side elevational view of the right hand side
of the device depicted in FIG. 1;
FIG. 3 is a side elevational view of the side opposite
from the side depicted in FIG. 1;
FIG. 4 is a side elevational view of the left hand side of
the device depicted in FIG. 1;
FIG. 5 is a top plan view thereof; and
FIG. 6 is a bottom plan view thereof.



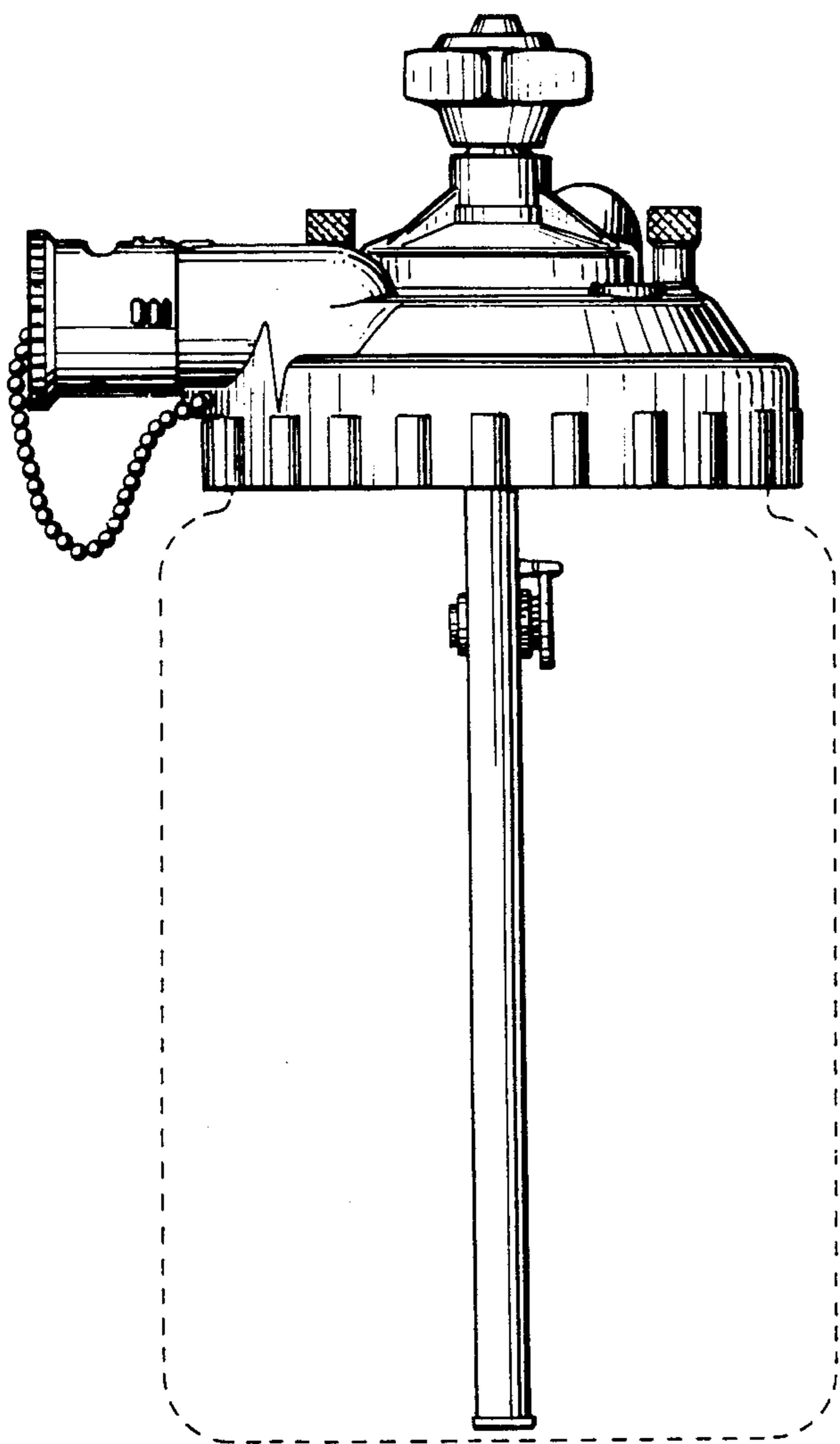


FIG. 1

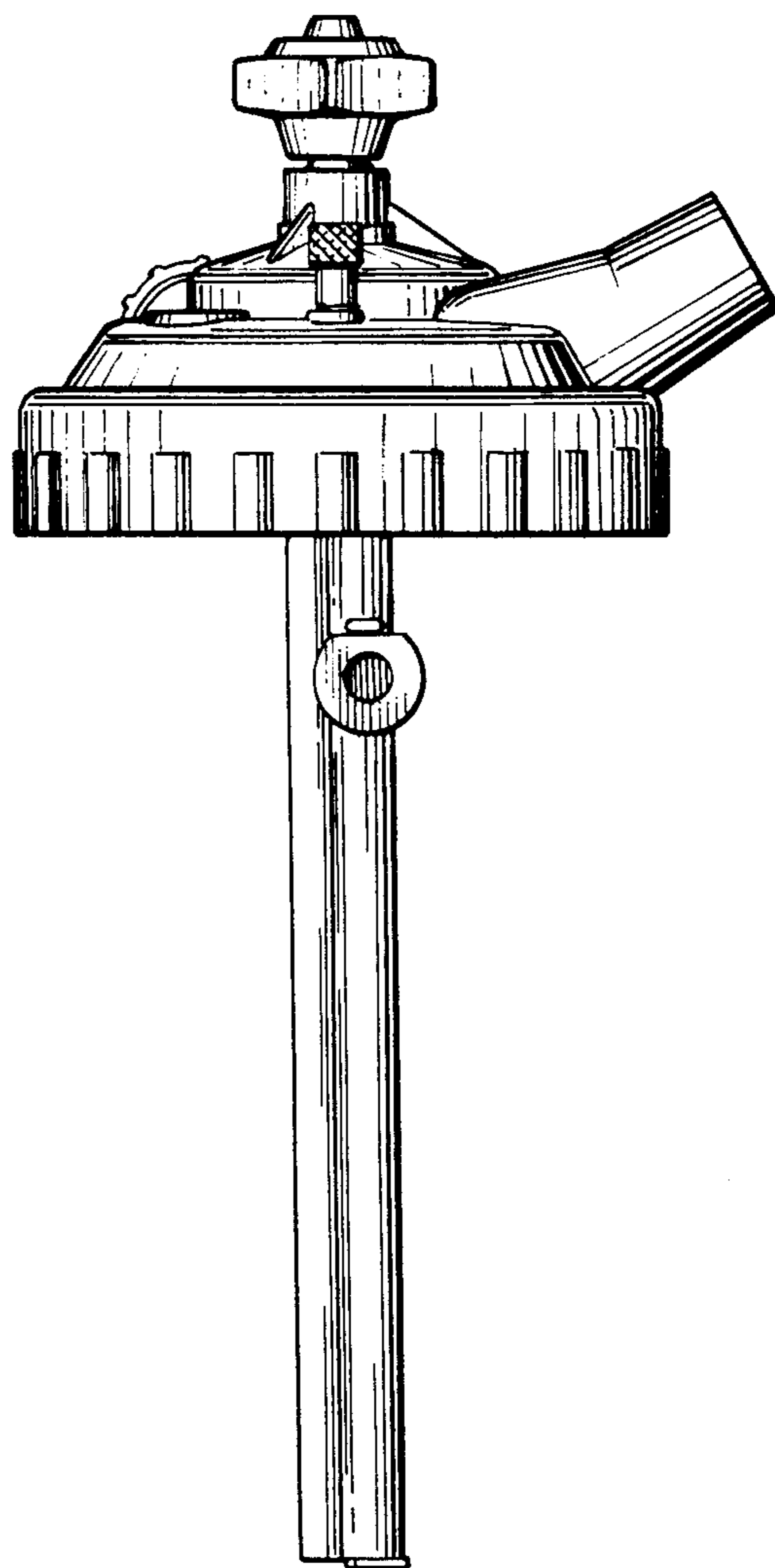


FIG. 2

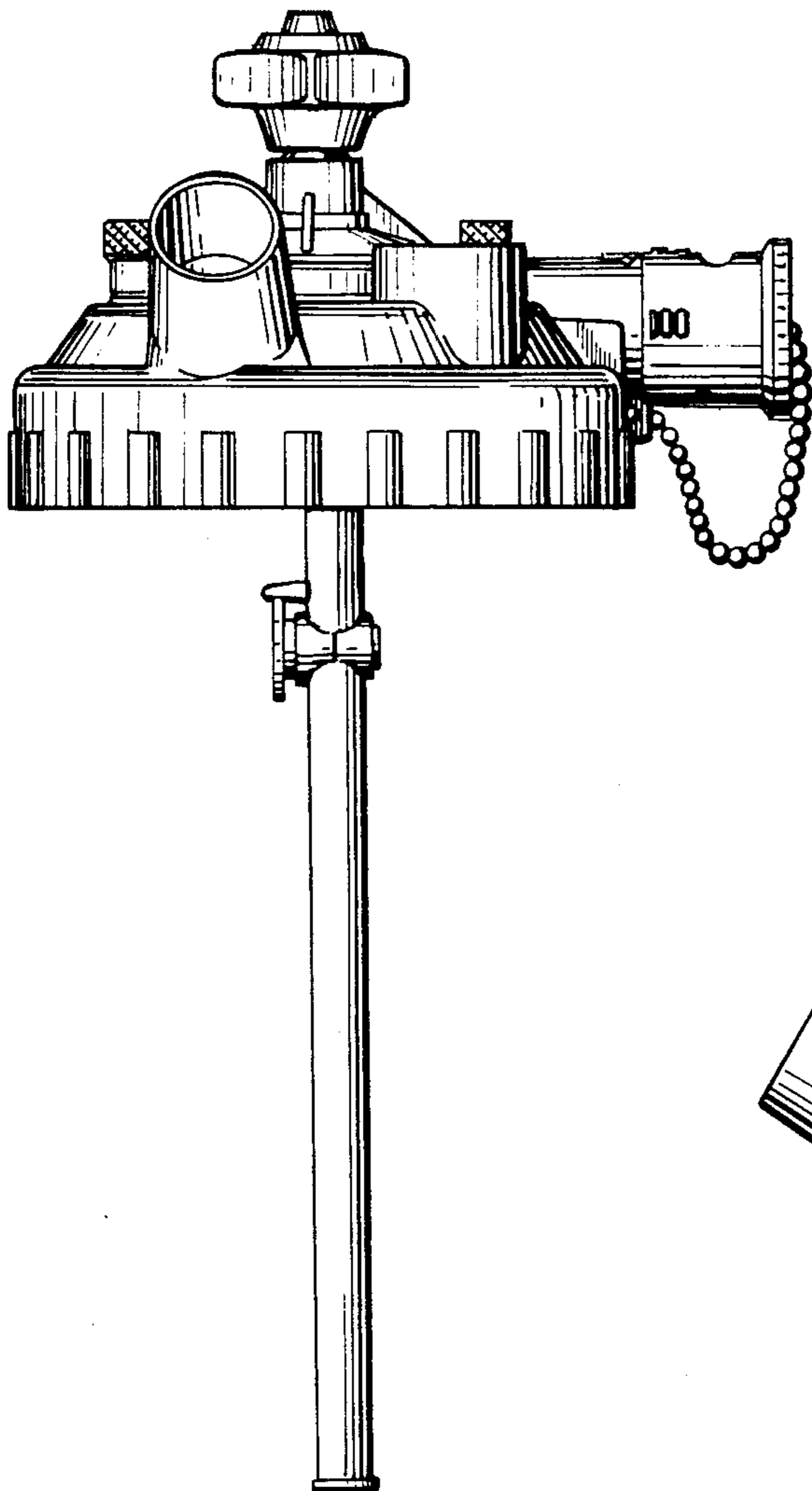


FIG. 3

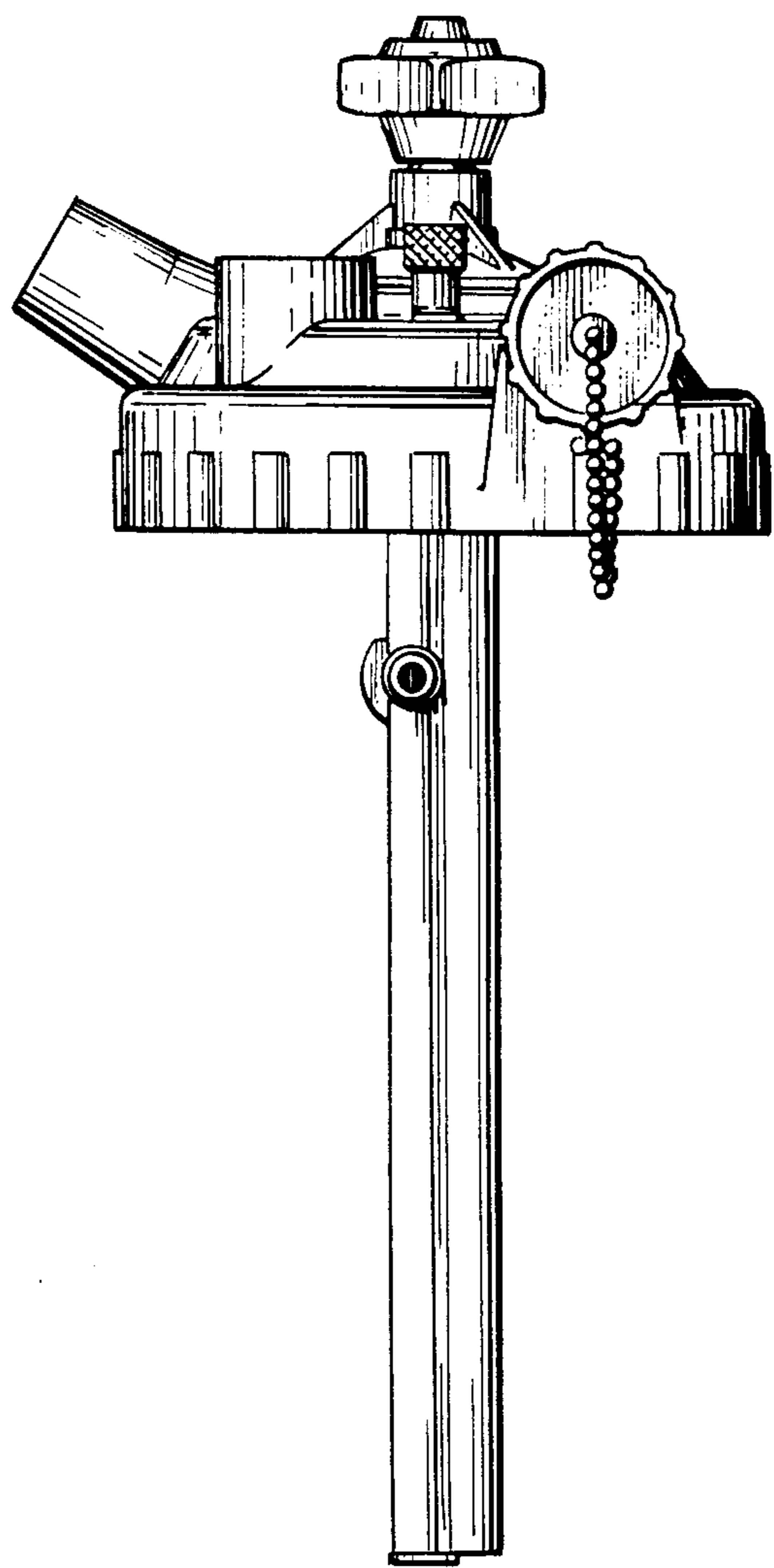


FIG. 4

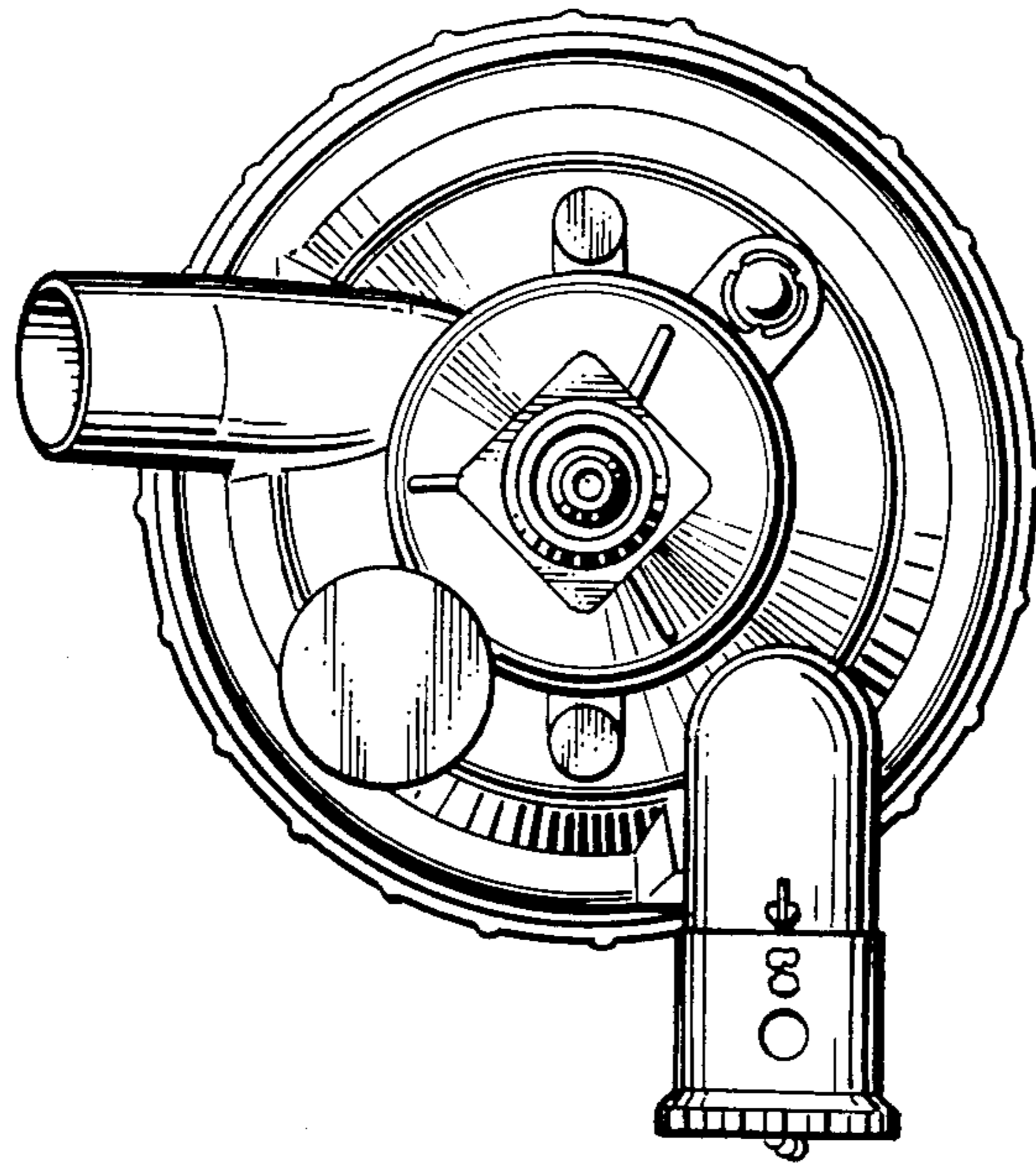


FIG. 5

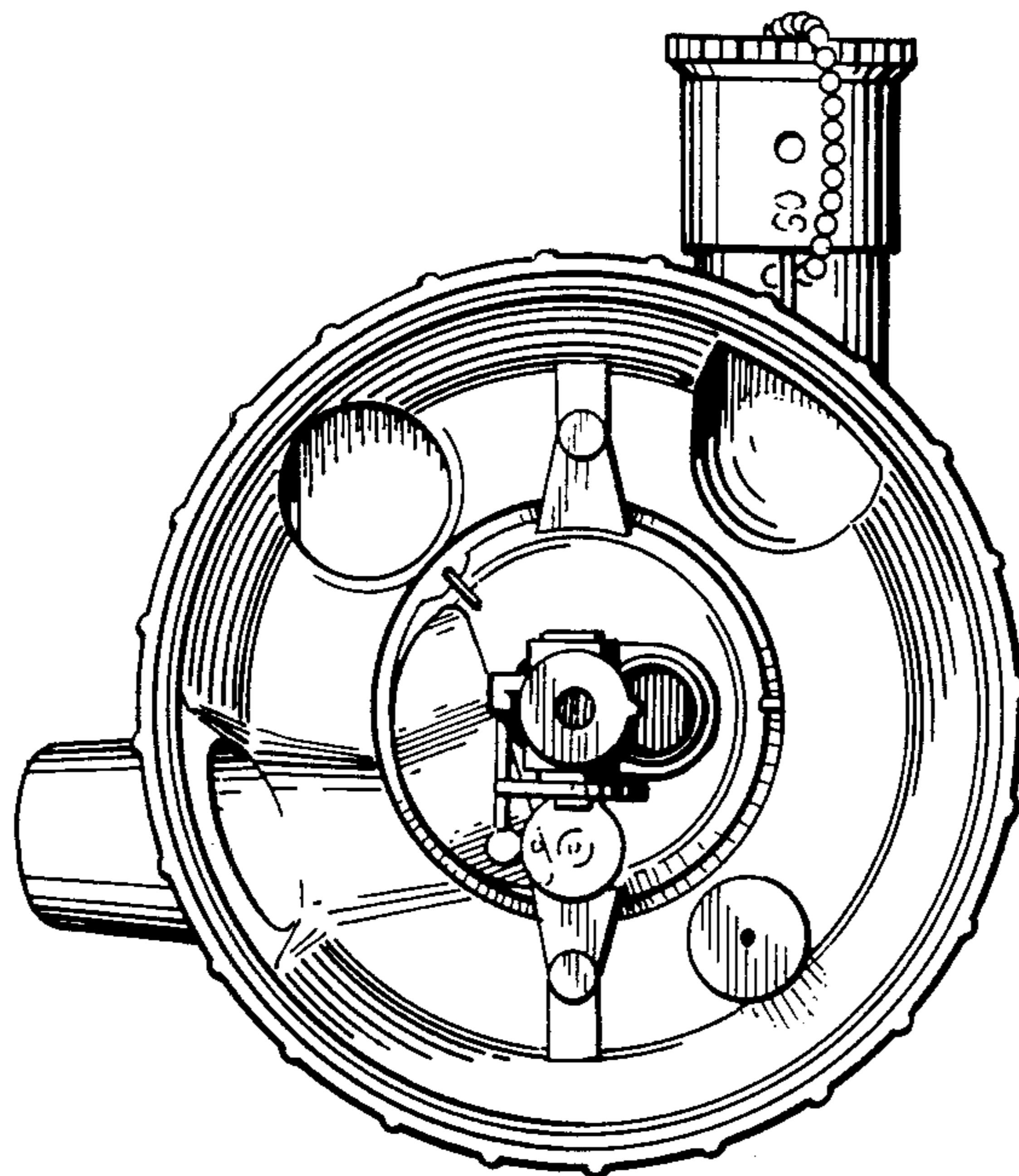


FIG. 6