

[54] SCOOTER

[76] Inventor: Donald R. Daverin, 1017 Kim Place,
Lemont, Ill. 60439

[**] Term: 14 Years

[21] Appl. No.: 638,344

[22] Filed: Dec. 8, 1975

[51] Int. Cl. D21-01

[52] U.S. Cl. D34/15 AT

[58] Field of Search D12/6-11;
D34/15 AJ, 14 A-14 D, 15 AT; 280/87.01,
87.02 R, 87.03, 87.04 R, 87.04 A, 87.04 B,
87.05, 105, 1

[56] References Cited

U.S. PATENT DOCUMENTS

2,460,395	2/1949	Reid	280/87.04 R
2,468,910	5/1949	Zsinor et al.	280/87.04 R
D. 91,256	12/1933	Van Doren et al.	280/87.04 R
D. 95,770	5/1935	Mellon	280/87.04 R

OTHER PUBLICATIONS

Toys & Novelties, 9-1946, p. 53, Scooter.

Primary Examiner—Joel Stearman

Assistant Examiner—C. A. Rademaker

Attorney, Agent, or Firm—Robert C. Brown, Jr.

[57] CLAIM

The ornamental design for a scooter, substantially as shown.

DESCRIPTION

FIG. 1 is a perspective view of the scooter, showing my new design;

FIG. 2 is a front elevational view thereof;

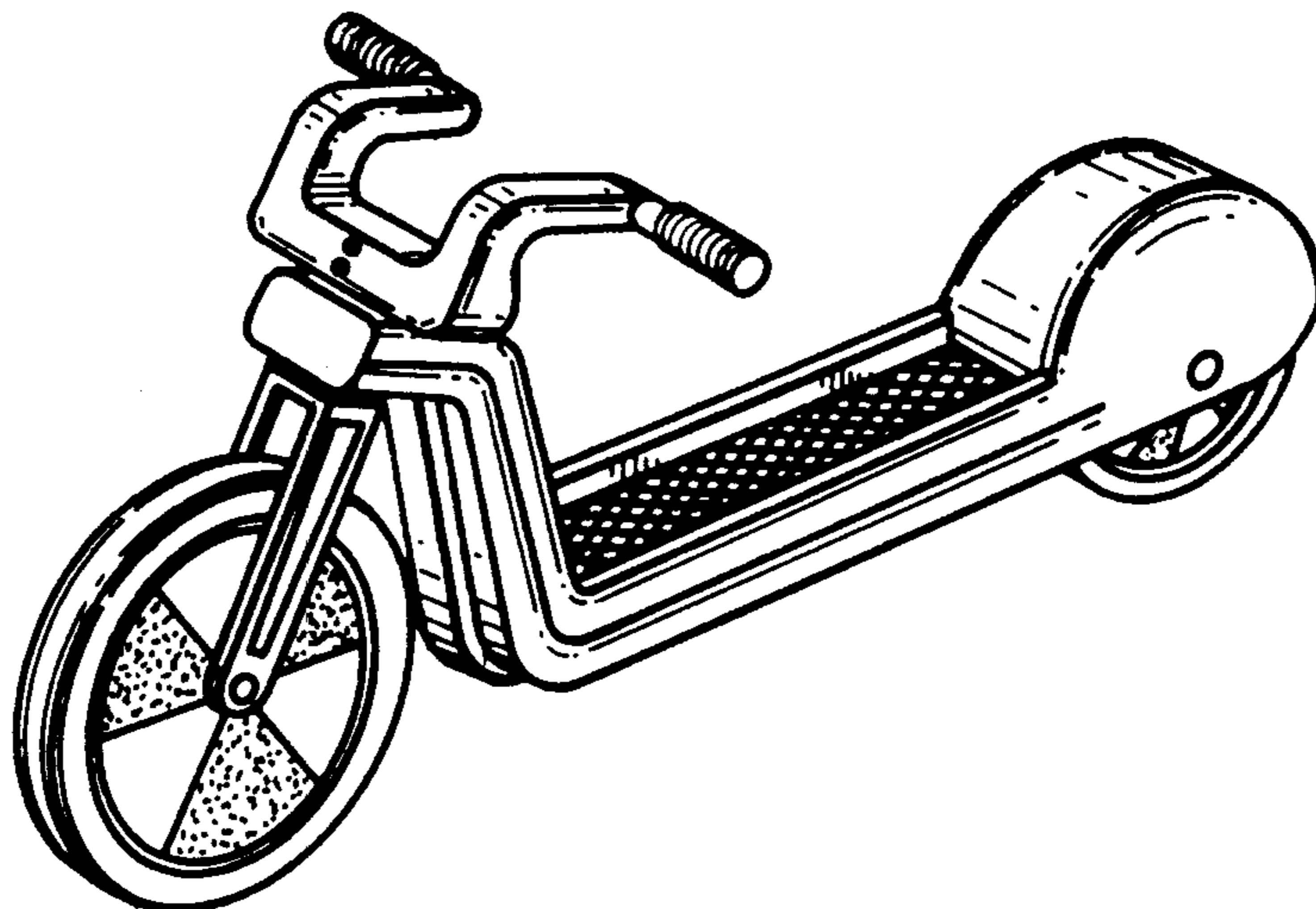
FIG. 3 is a top plan view thereof;

FIG. 4 is a side elevational view thereof;

FIG. 5 is a rear elevational view thereof;

FIG. 6 is a bottom plan view thereof; and

FIG. 7 is sectional view of the frame member of the scooter taken along line 7-7 of FIG. 4 with details of the rear wheel and housing therefor omitted.



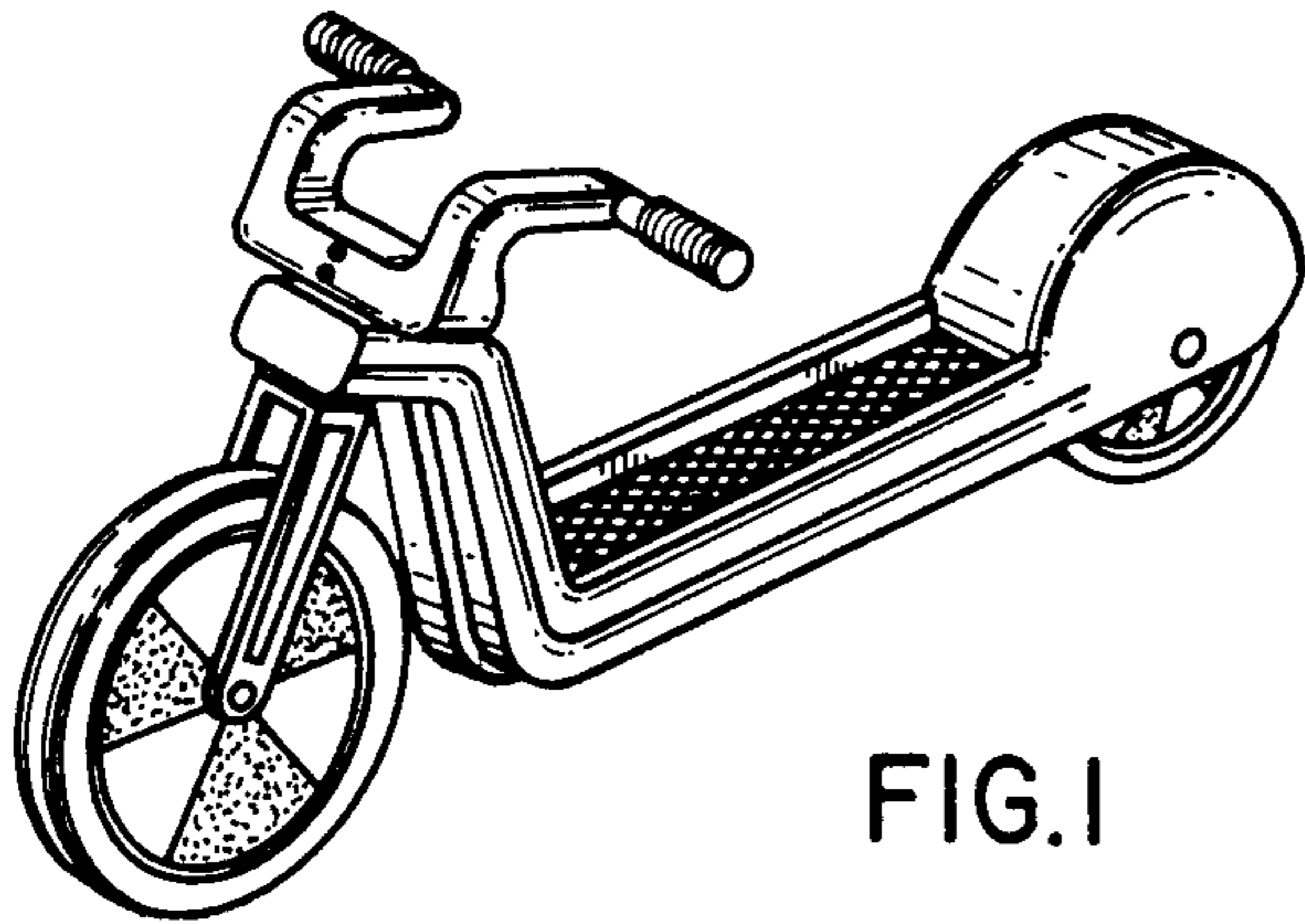


FIG. 1

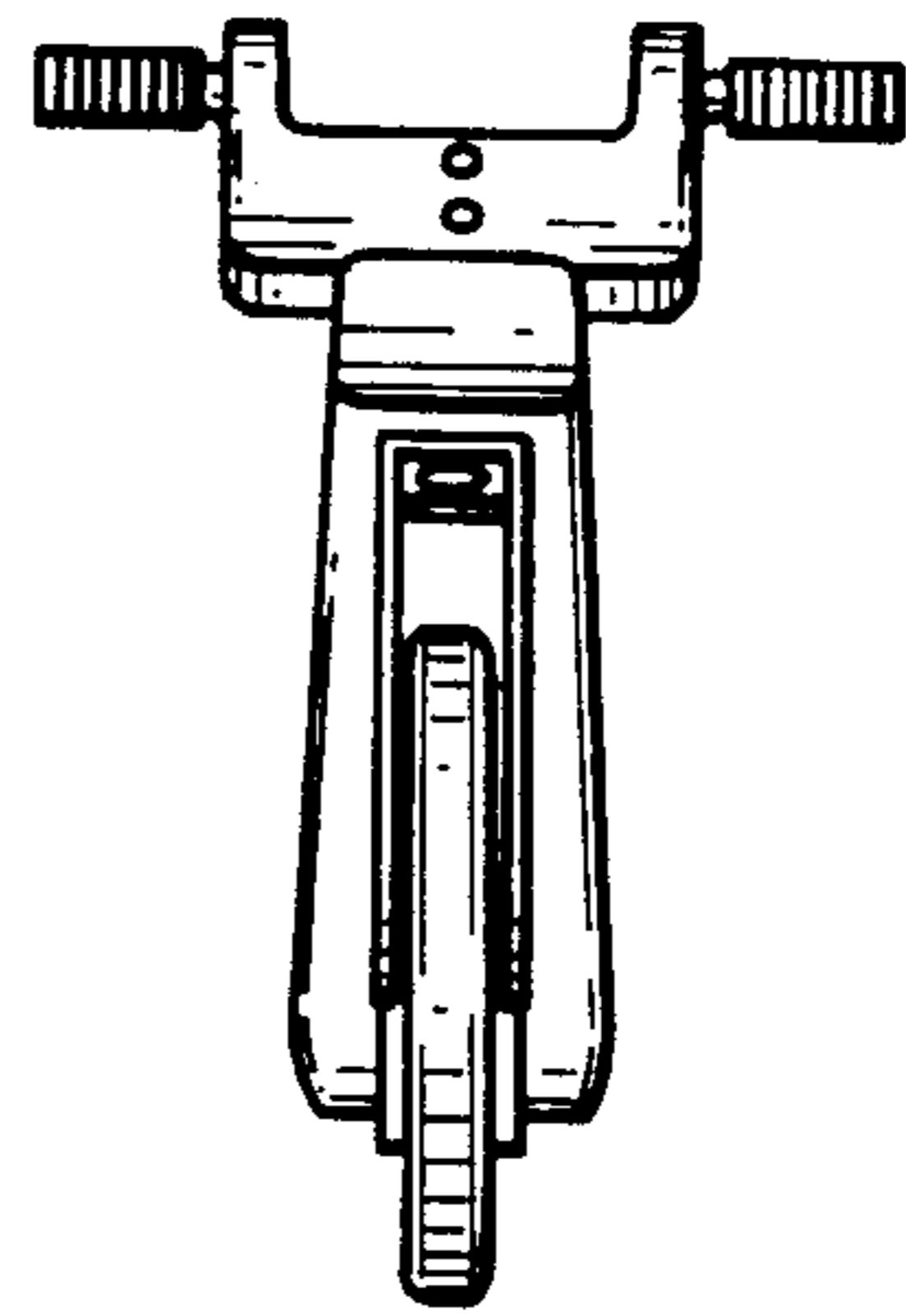


FIG. 2

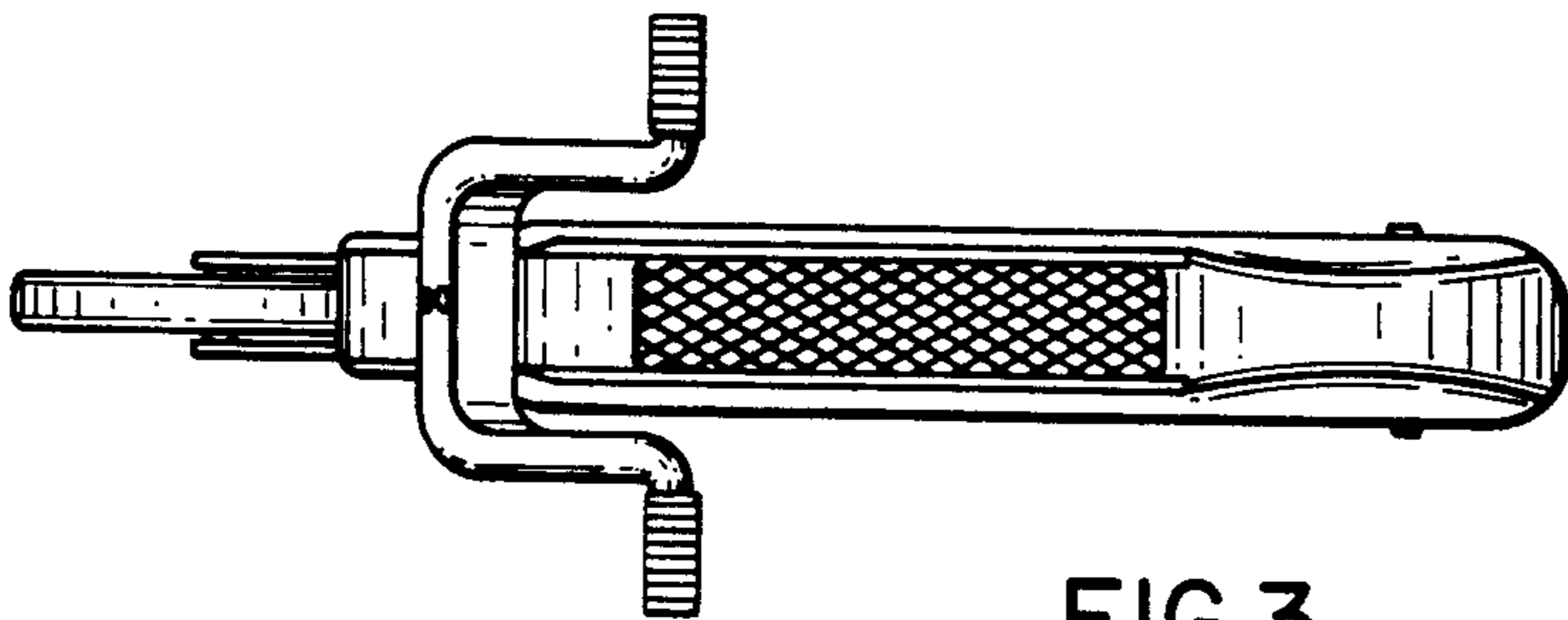


FIG. 3

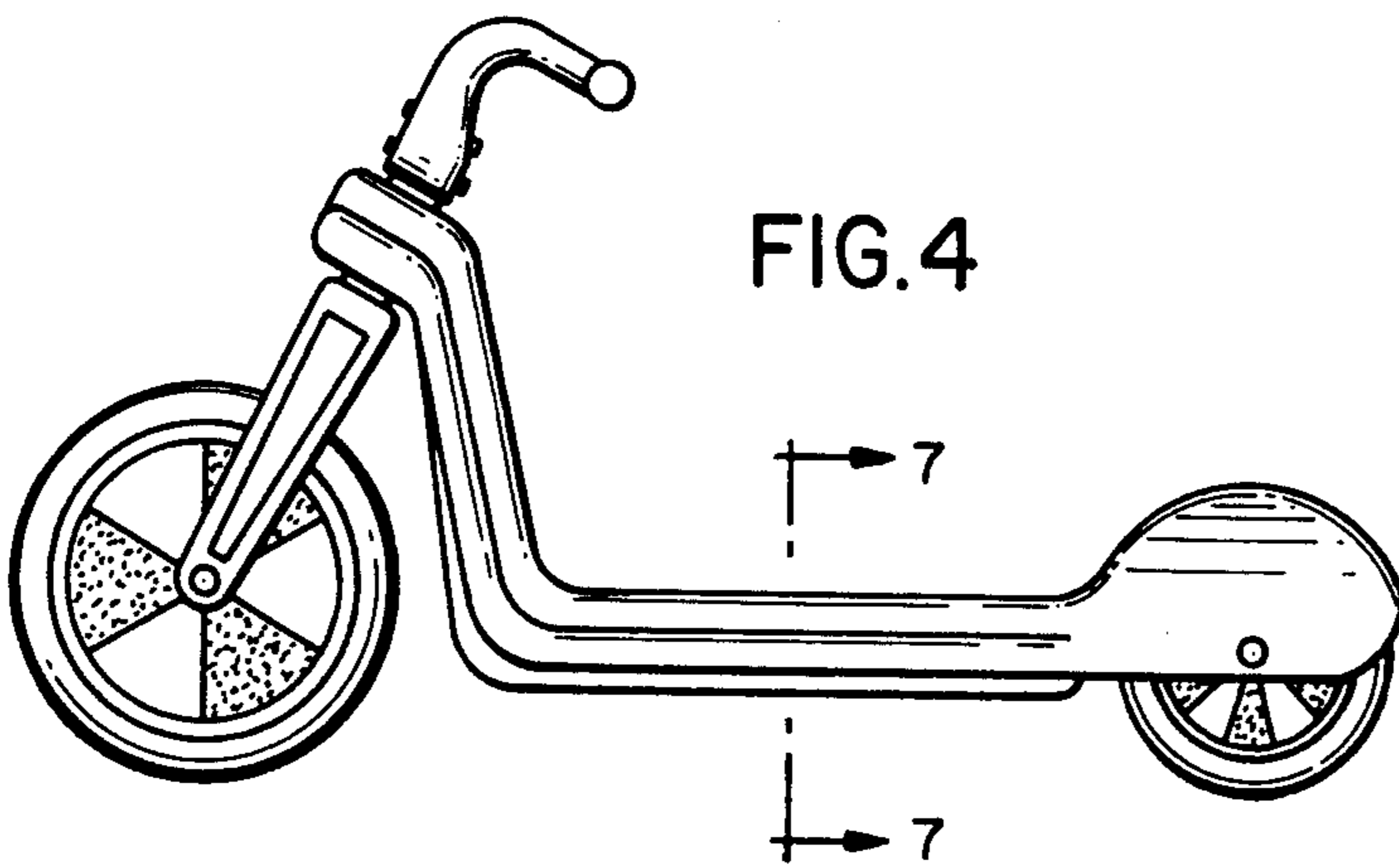


FIG. 4

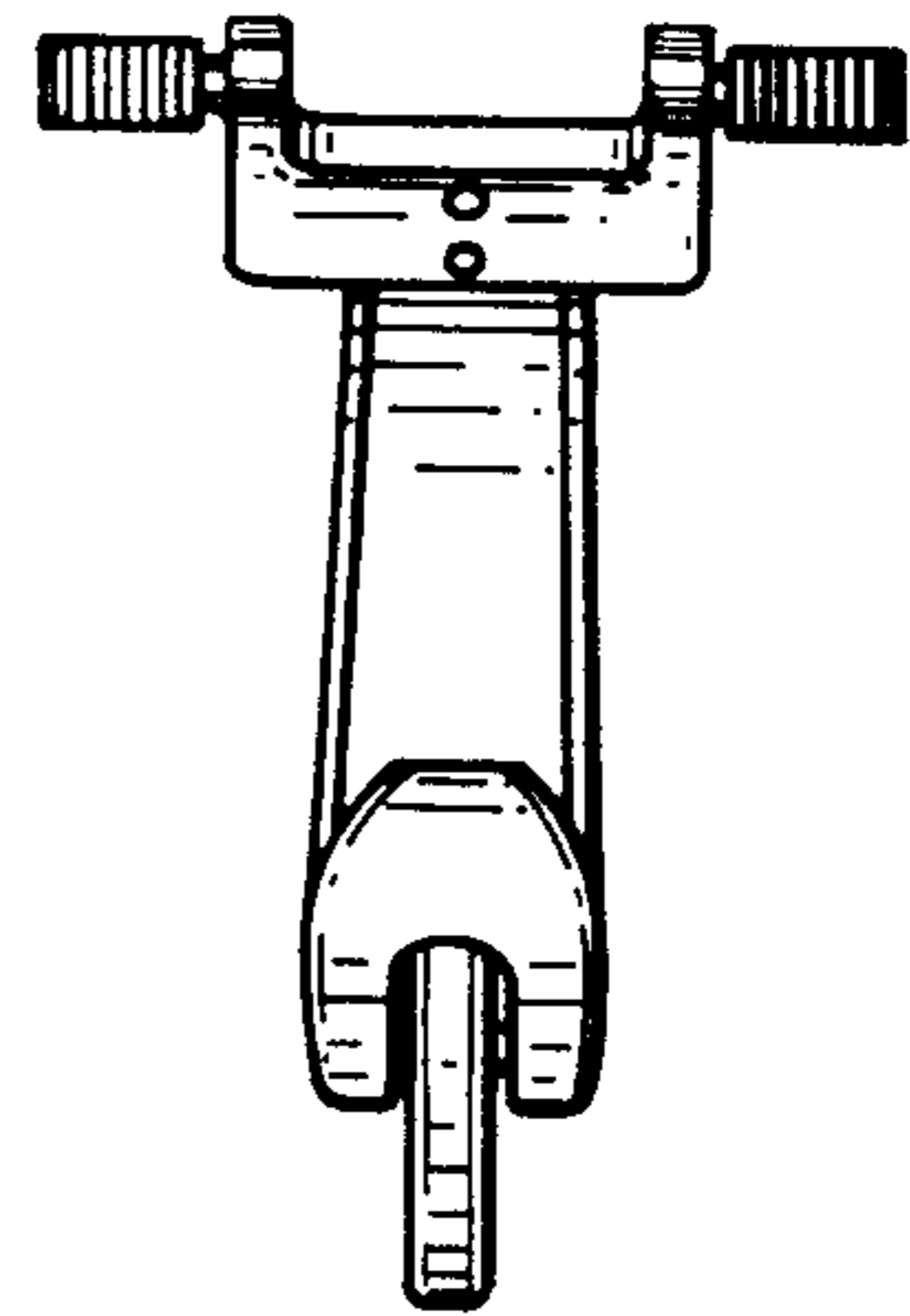


FIG. 5

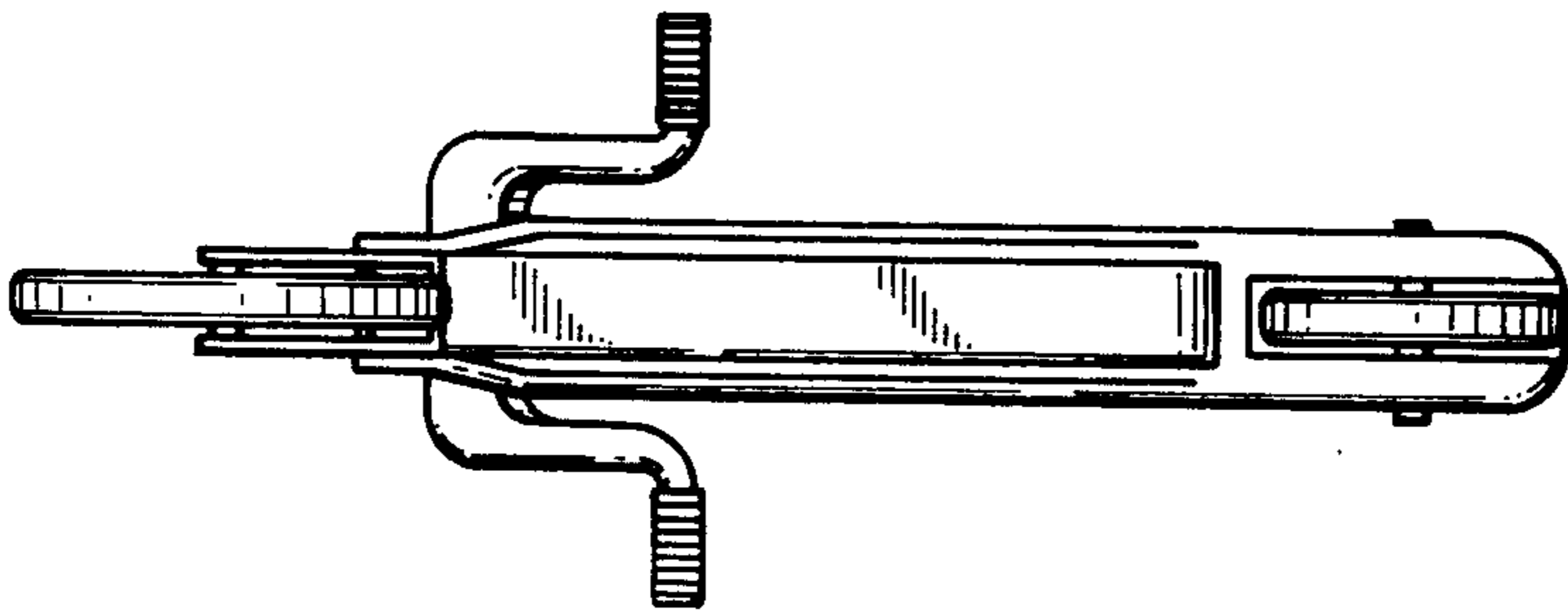


FIG. 6

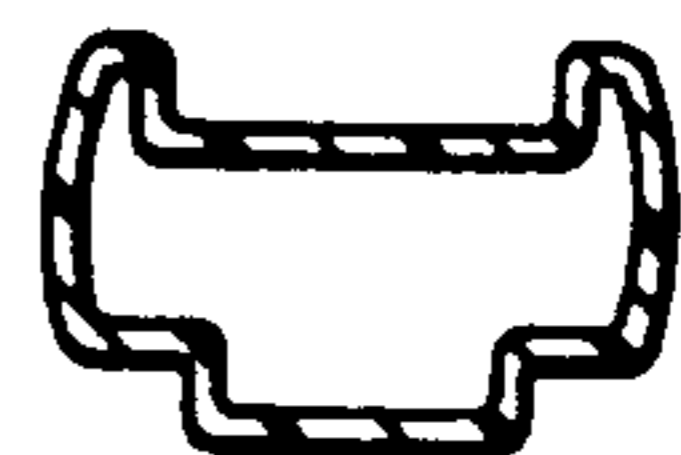


FIG. 7