

[54] TELEPHONE COUPLER — CARRYING CASE AND HAND-HELD COMPUTER TERMINAL

[75] Inventor: Charles Michael Ault, Arlington, Mass.

[73] Assignee: Termiflex Corporation, Nashua, N.H.

[**] Term: 14 Years

[21] Appl. No.: 467,249

[22] Filed: May 6, 1974

[51] Int. Cl. D14-03; D13-03; D14-02

[52] U.S. Cl. D14/65

[58] Field of Search D26/15 A, 13 C, 14 A, D26/14 R, 5 C; D87/1 R; D218/14 C; 179/1 C; 26/5 R

[56] References Cited

U.S. PATENT DOCUMENTS

3,585,302 6/1971 Swan, Jr. 179/1 C

D. 212,692 11/1968 Plantholt D26/14 A
D. 216,061 11/1969 Hughes et al. D87/1 R
D. 218,610 9/1970 Swan et al. D26/14 R
D. 234,603 3/1975 Snow et al. D26/13 C

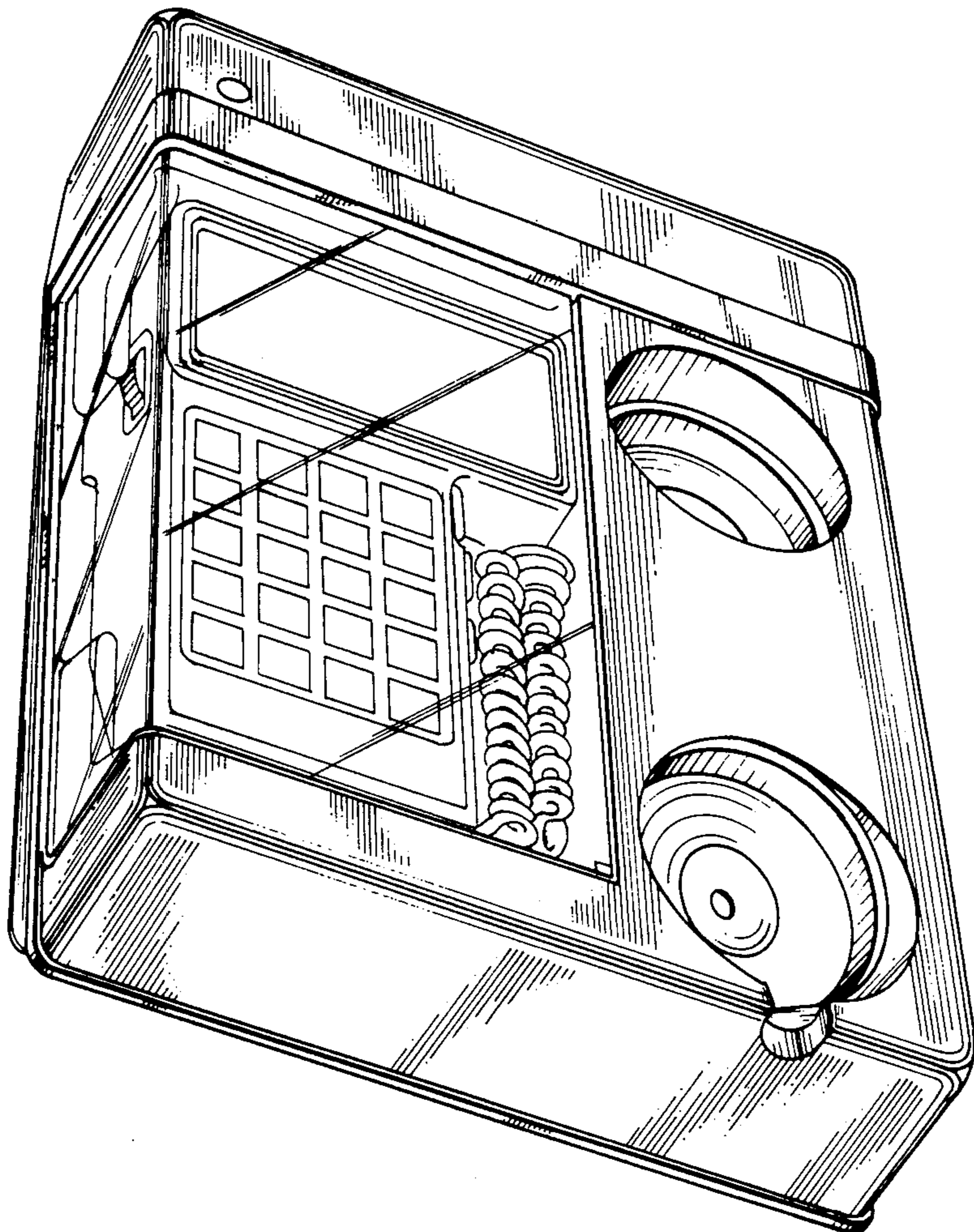
Primary Examiner—Bernard Ansher
Attorney, Agent, or Firm—Robert H. Ware

[57] CLAIM

The ornamental design for a telephone coupler — carrying case and hand-held computer terminal, substantially as shown.

DESCRIPTION

FIG. 1 is a top perspective view of a telephone coupler-carrying case and hand-held computer terminal showing my new design; FIG. 2 is a bottom end view of my new design; FIG. 3 is a left side view of my new design; FIG. 4 is a top plan view of my new design; FIG. 5 is a bottom plan view of my new design; FIG. 6 is a top end view of my new design; and FIG. 7 is a right side view of my new design.



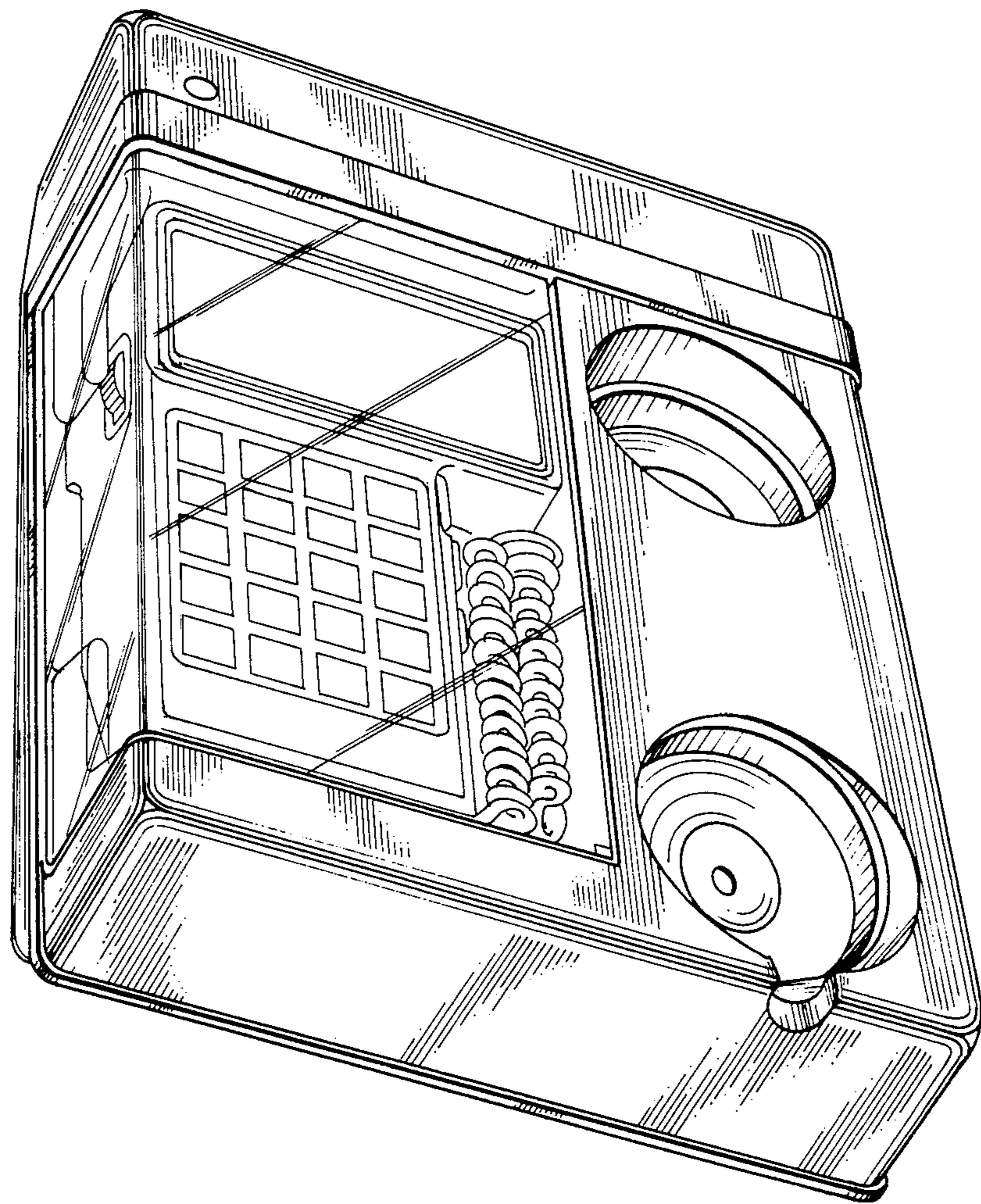


FIG. 1

FIG. 2

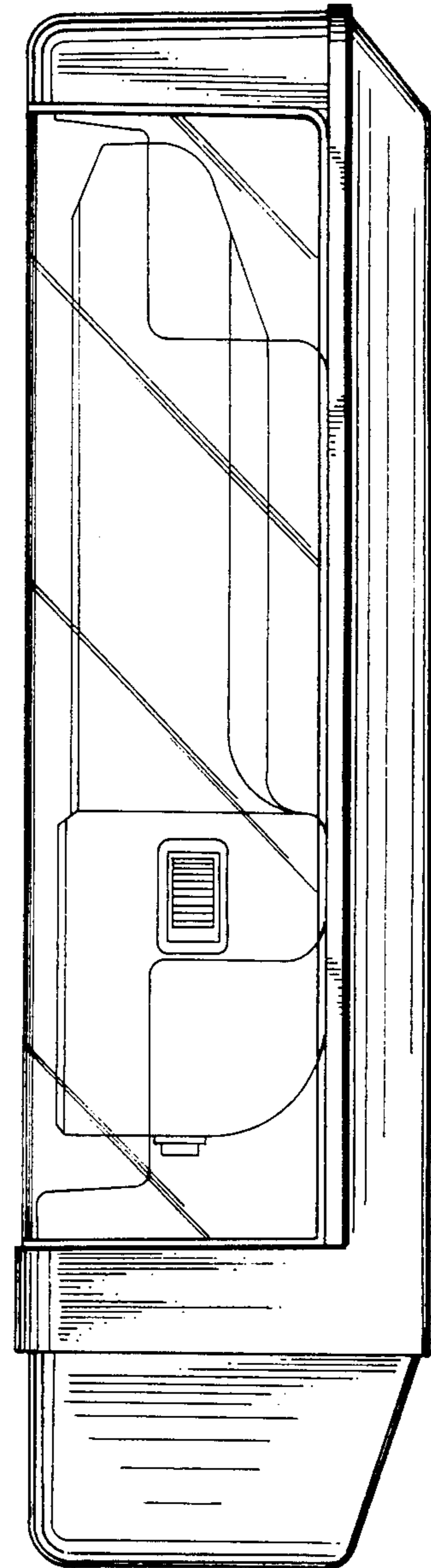
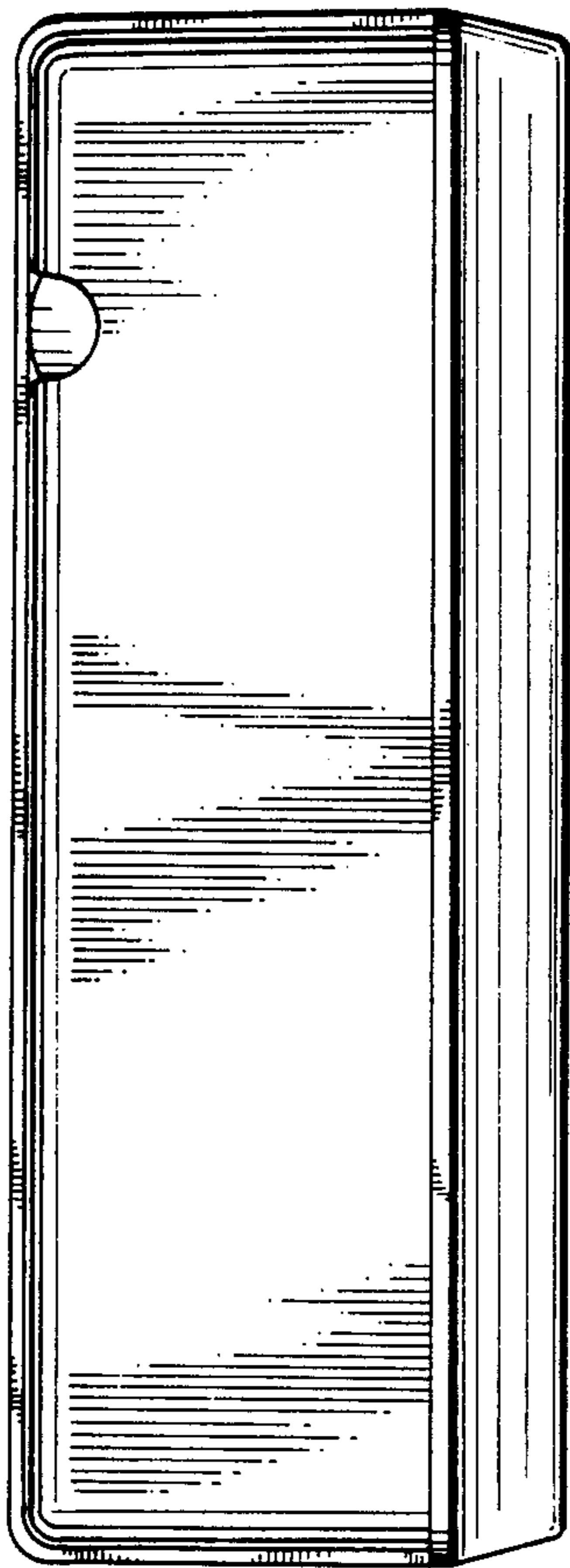


FIG. 3

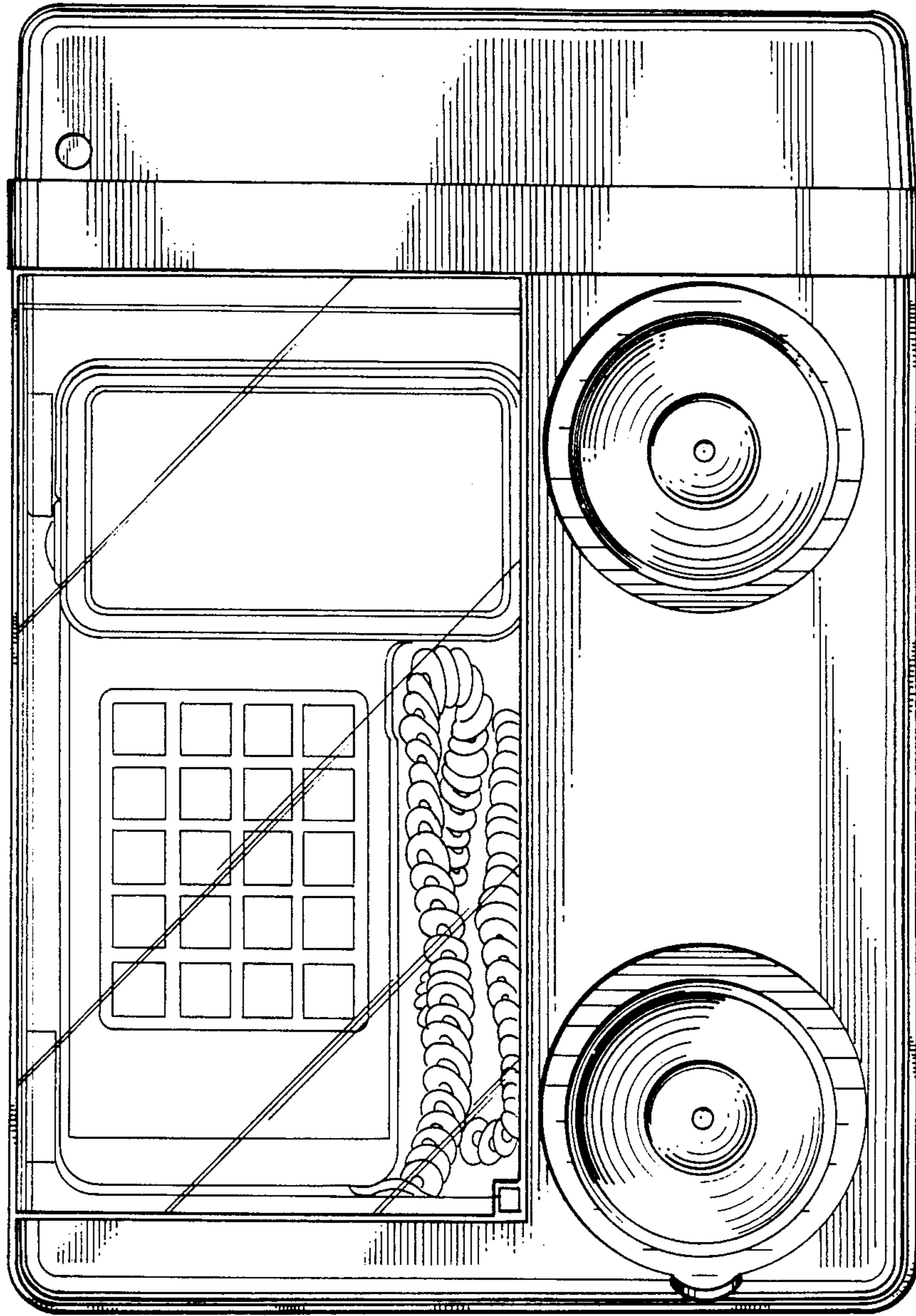


FIG. 4

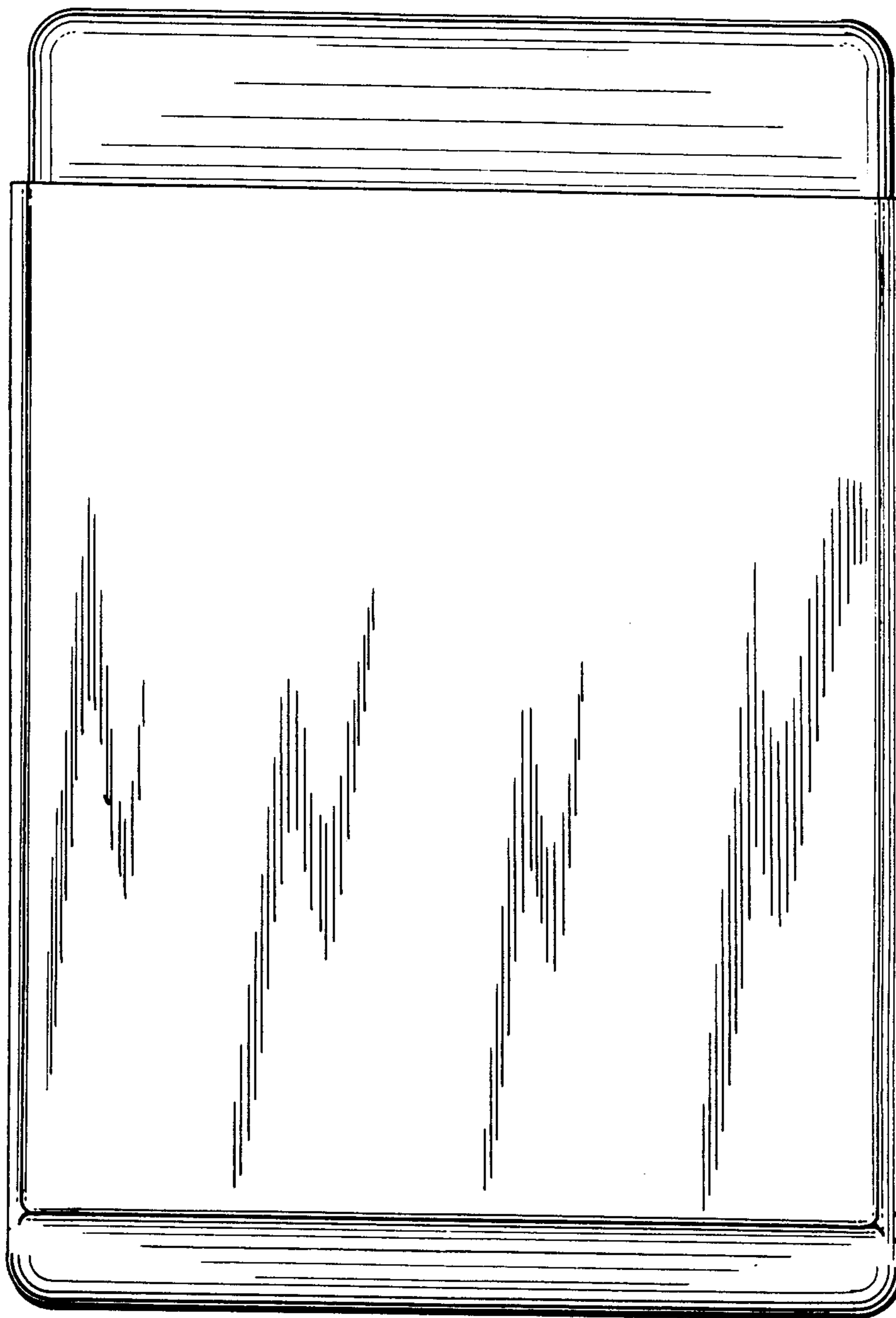


FIG. 5

FIG. 6

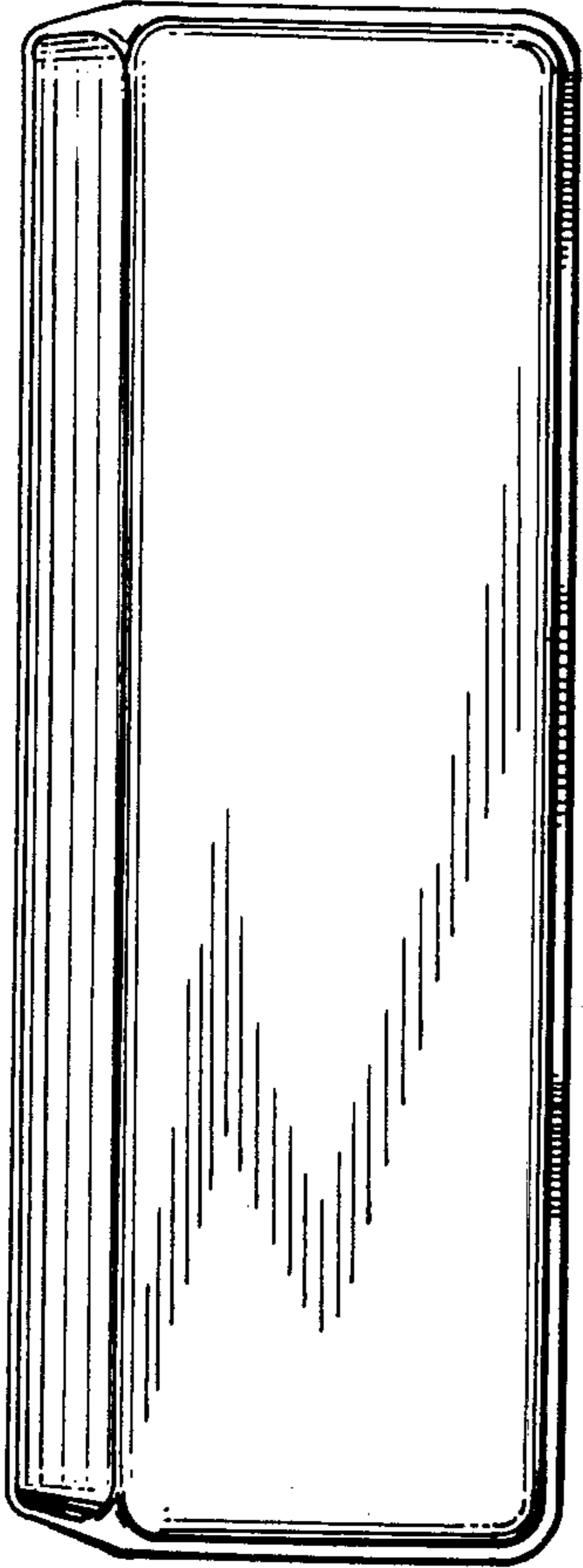


FIG. 7

