

[54] HOSE

[75] Inventor: Arthur M. Elson, Hamilton Township, Mercer County, N.J.

[73] Assignee: Acme-Hamilton Manufacturing Corporation, Trenton, N.J.

[**] Term: 14 Years

[21] Appl. No.: 595,154

[22] Filed: July 11, 1975

[51] Int. Cl. D23-01

[52] U.S. Cl. D23/45

[58] Field of Search D23/45, 47; 239/450, 239/542, 547

[56] References Cited

U.S. PATENT DOCUMENTS

3,091,401	5/1963	Hruby, Jr.	239/547 X
3,333,422	8/1967	Neyland	239/547 X
D. 222,643	11/1971	Martin et al.	D23/45

Primary Examiner—James R. Largen

Attorney, Agent, or Firm—Sidney G. Faber

[57] CLAIM

The ornamental design for a hose, as shown and described.

DESCRIPTION

FIG. 1 is a perspective view of a hose, showing my new design;

FIG. 2 is a perspective view taken from the bottom thereof;

FIG. 3 is a fragmentary perspective view of a modified form of the hose shown in FIG. 1; and

FIG. 4 is a fragmentary perspective view taken from the bottom of FIG. 3.

A center portion of the hose has been broken away in FIGS. 1 and 2 and right-hand portions of the hose have been broken away in FIGS. 3 and 4 to indicate indeterminate length.

The hose of FIGS. 3 and 4 differs from the hose of FIGS. 1 and 2 in that the exterior surface is textured, as shown.

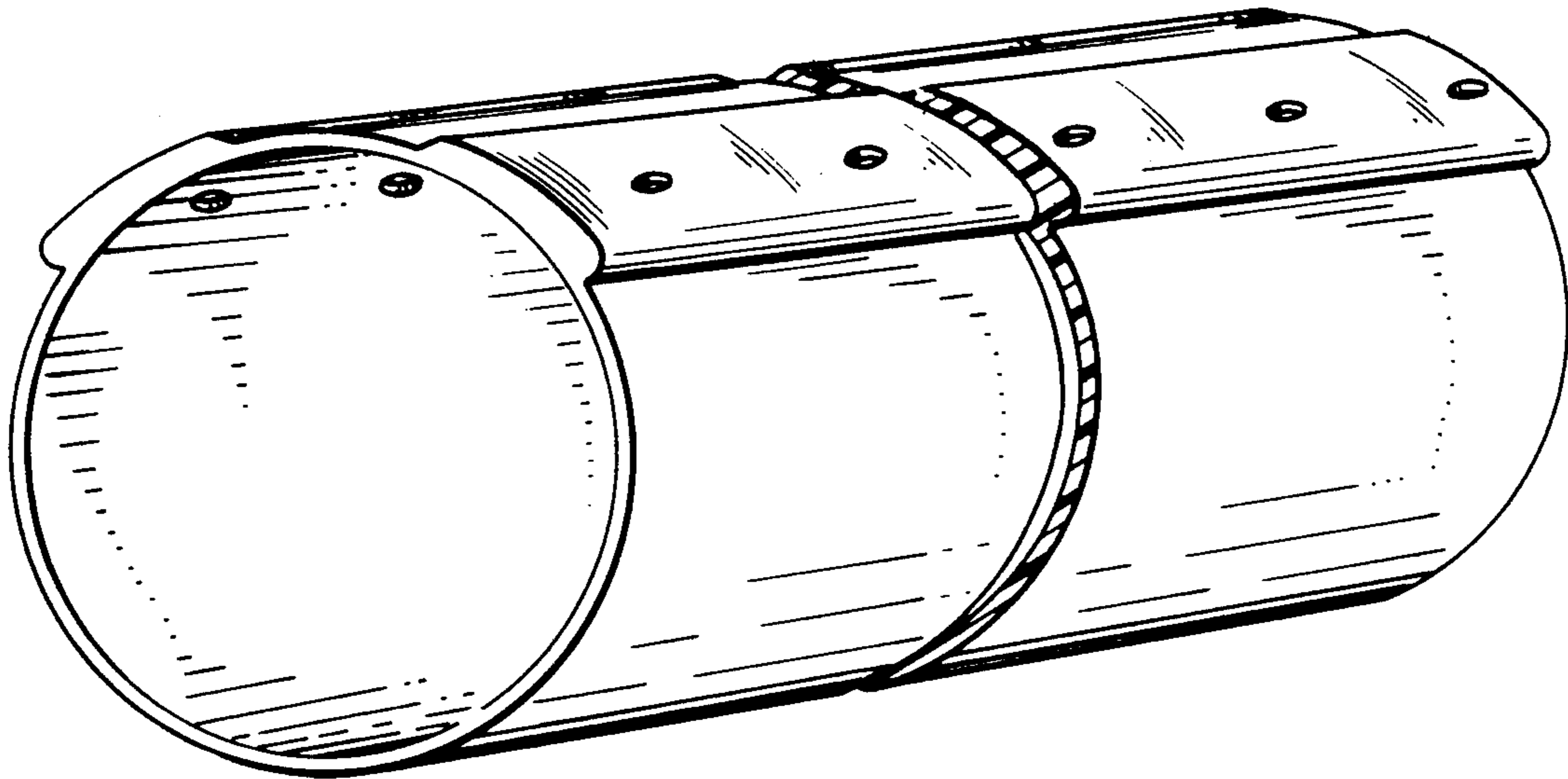


FIG. 1.

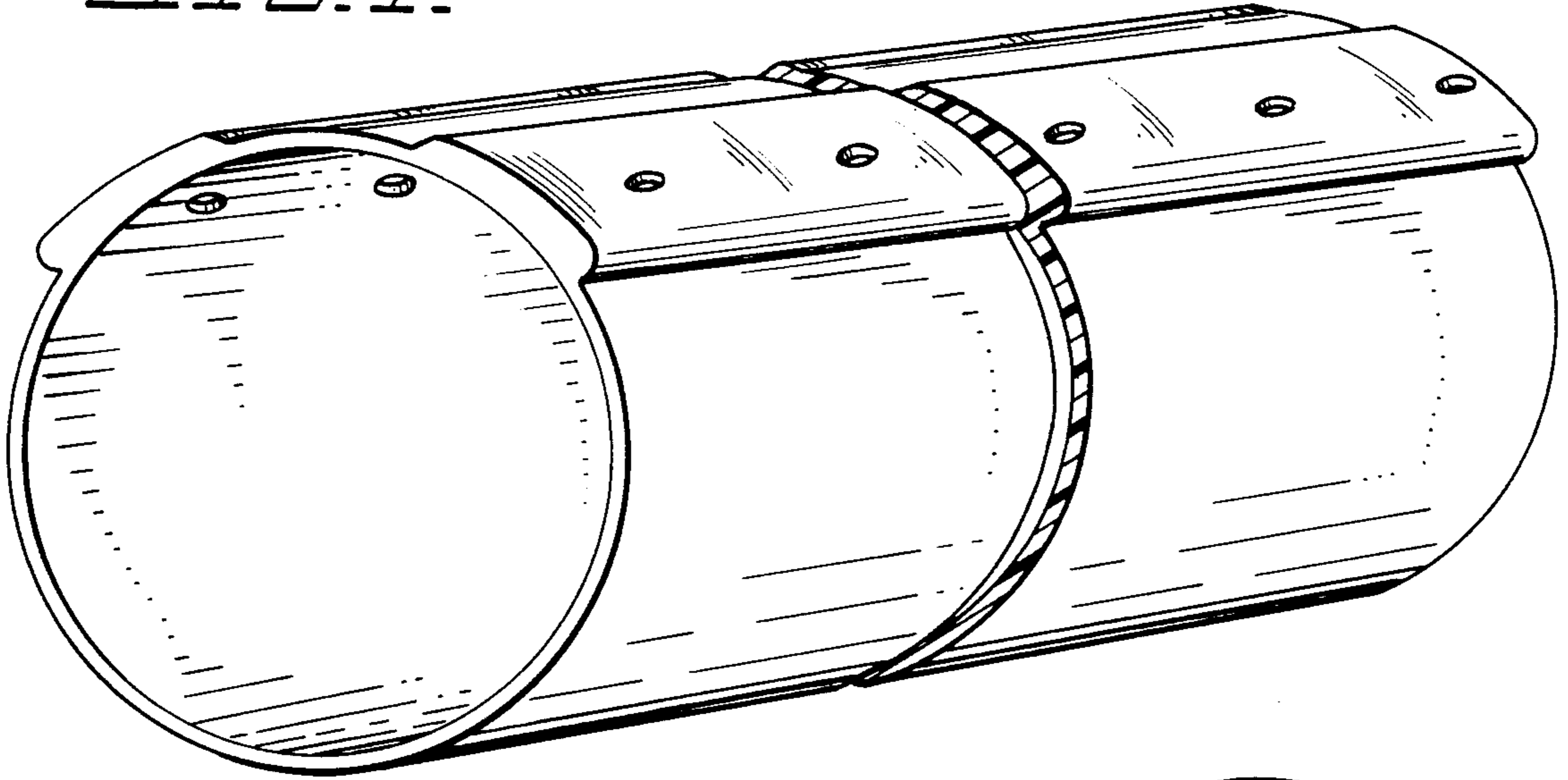


FIG. 2.

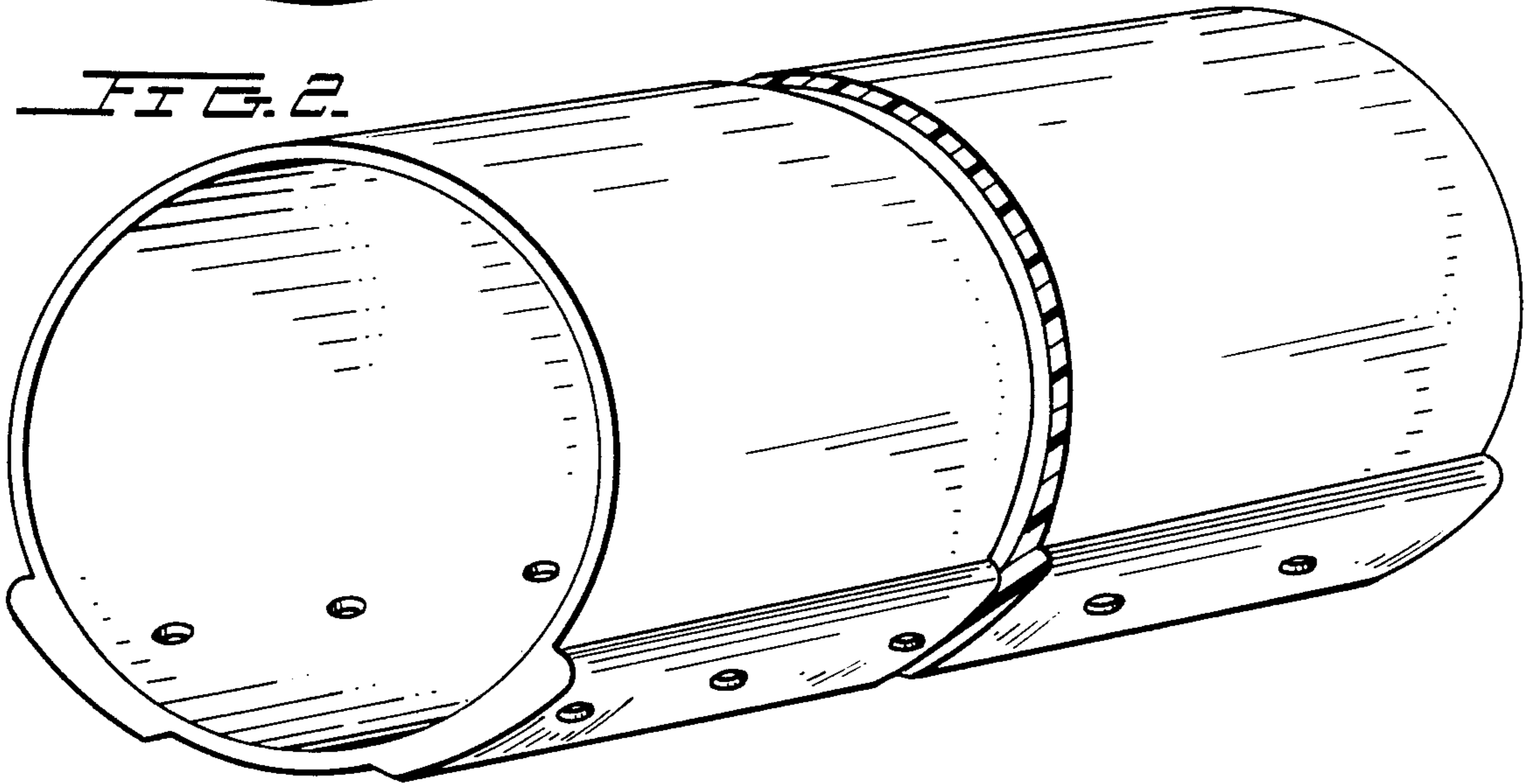


FIG. 3.

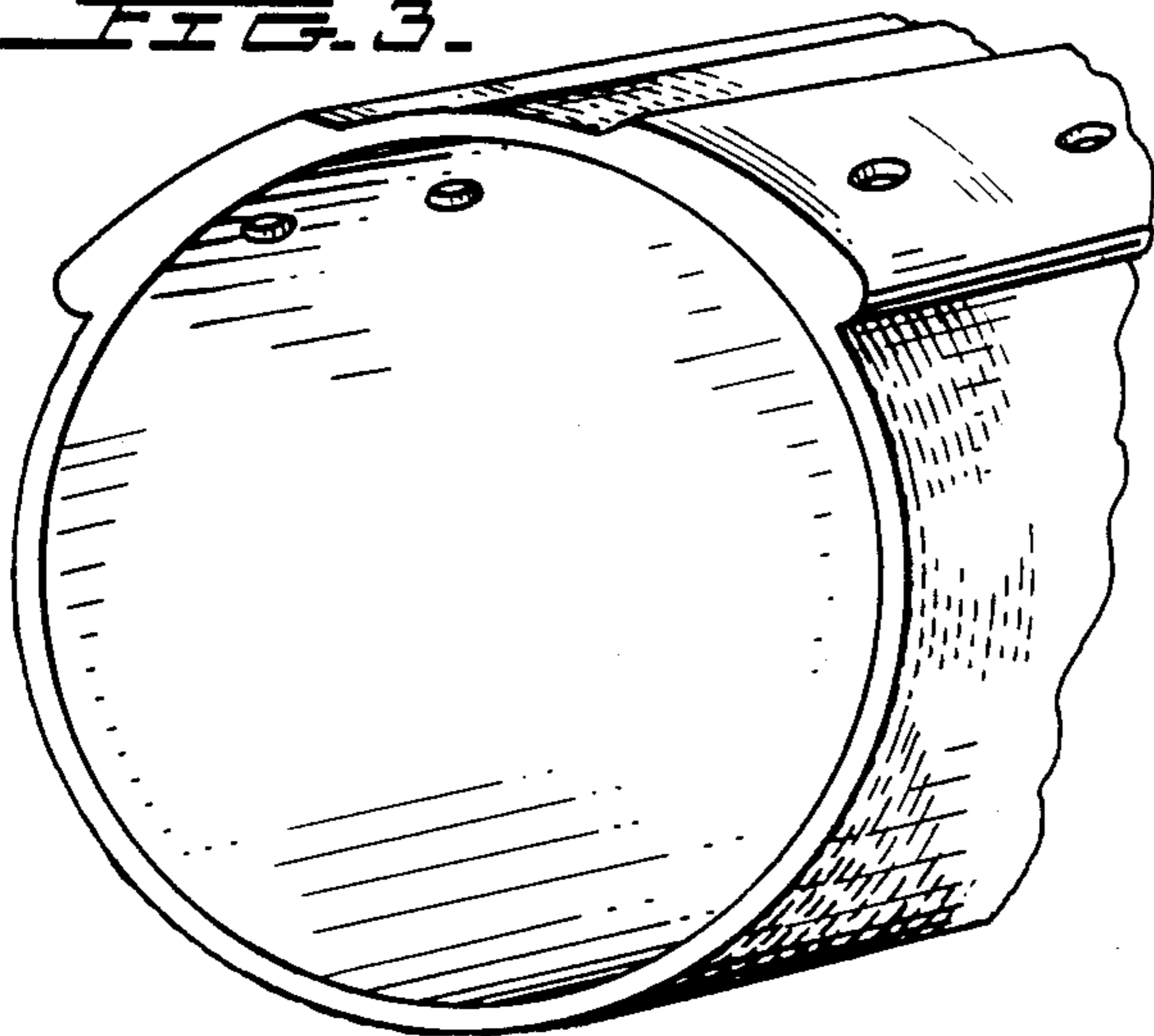


FIG. 4.

