

[54] DISPOSABLE RECORDING PEN

[75] Inventor: Jerald Carl Raahauge, Escondido, Calif.

[73] Assignee: Kingmann-White, Inc., Placentia, Calif.

[**] Term: 14 Years

[21] Appl. No.: 584,711

[22] Filed: June 9, 1975

[51] Int. Cl. D19-06

[52] U.S. Cl. D19/41

[58] Field of Search D19/41, 55; 401/198-199, 282; 346/140 A, 140 R, 30, 49, 29

[56] References Cited

U.S. PATENT DOCUMENTS

3,611,430	10/1971	Watchorn et al.	346/140 A
3,893,130	7/1975	Browning et al.	346/140 A
D. 229,446	10/1973	Dahl	D19/41
D. 229,722	12/1973	Felton	D19/41

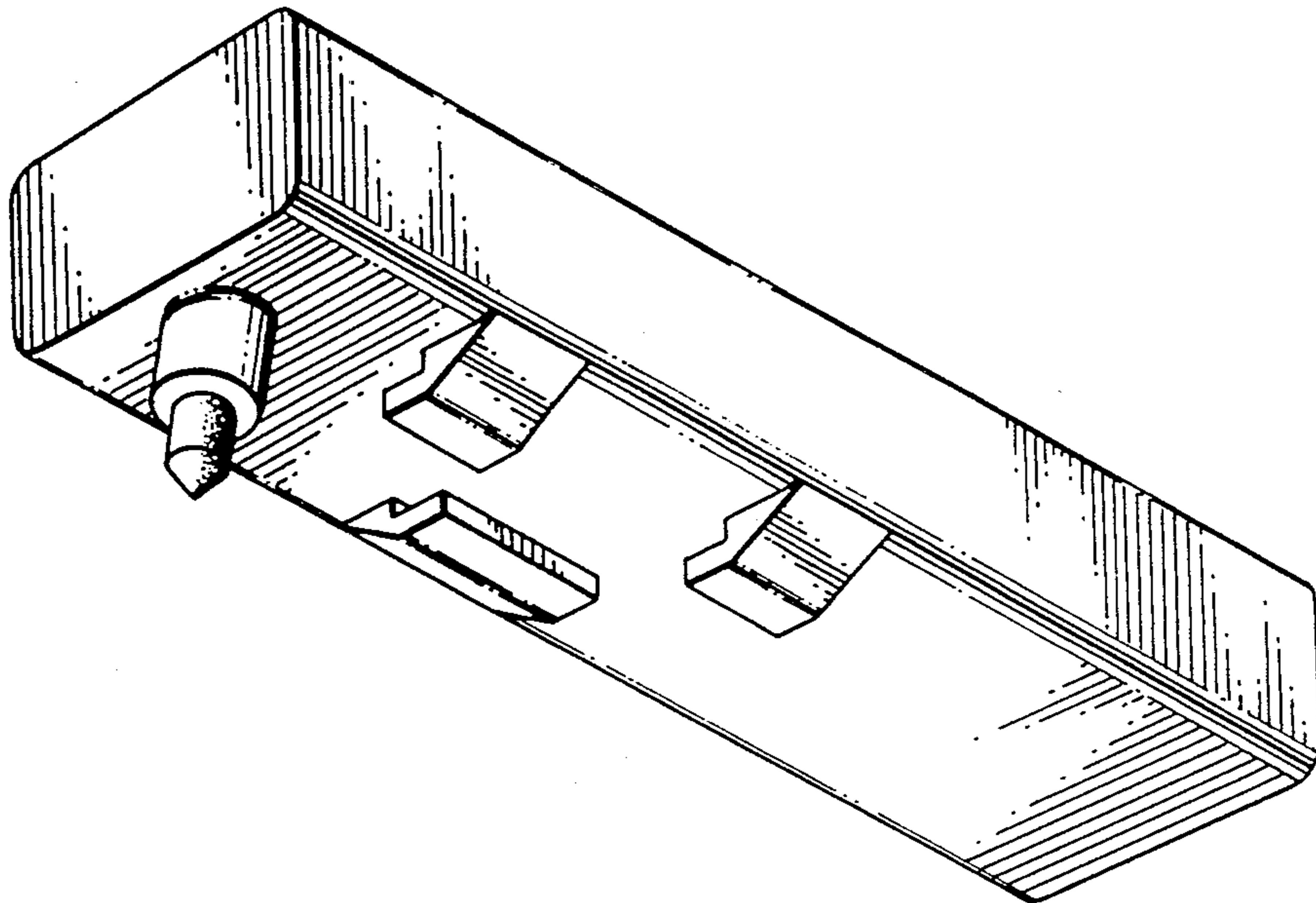
Primary Examiner—Joel Stearman
Assistant Examiner—George P. Word
Attorney, Agent, or Firm—Louis J. Knobbe

[57] CLAIM

The ornamental design for a disposable recording pen, as shown.

DESCRIPTION

FIG. 1 is a bottom rear prospective view of a disposable recording pen showing my new design; FIG. 2 is a front elevational view thereof; FIG. 3 is a right side elevational view thereof; and FIG. 4 is a top plan view thereof.



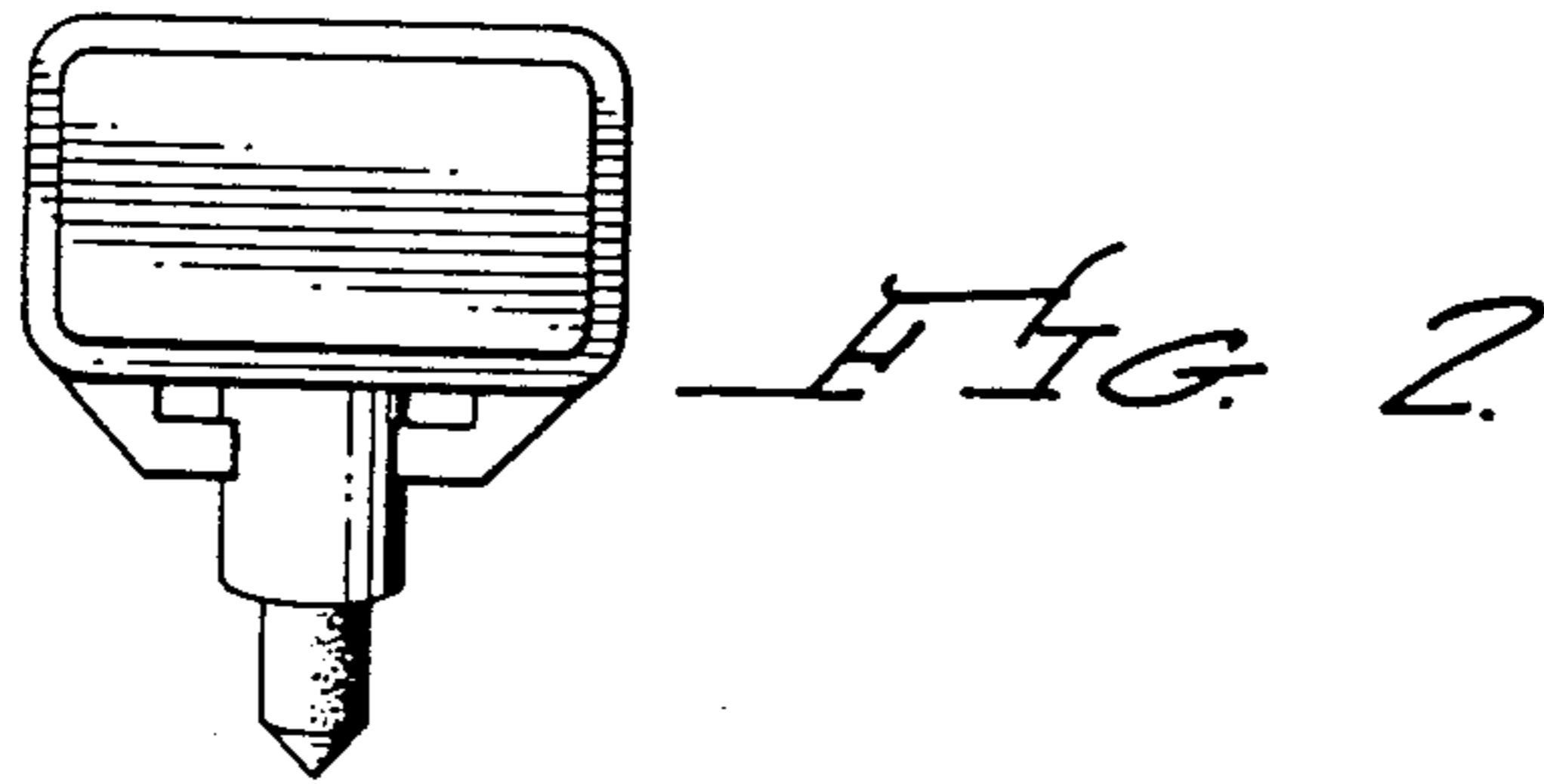
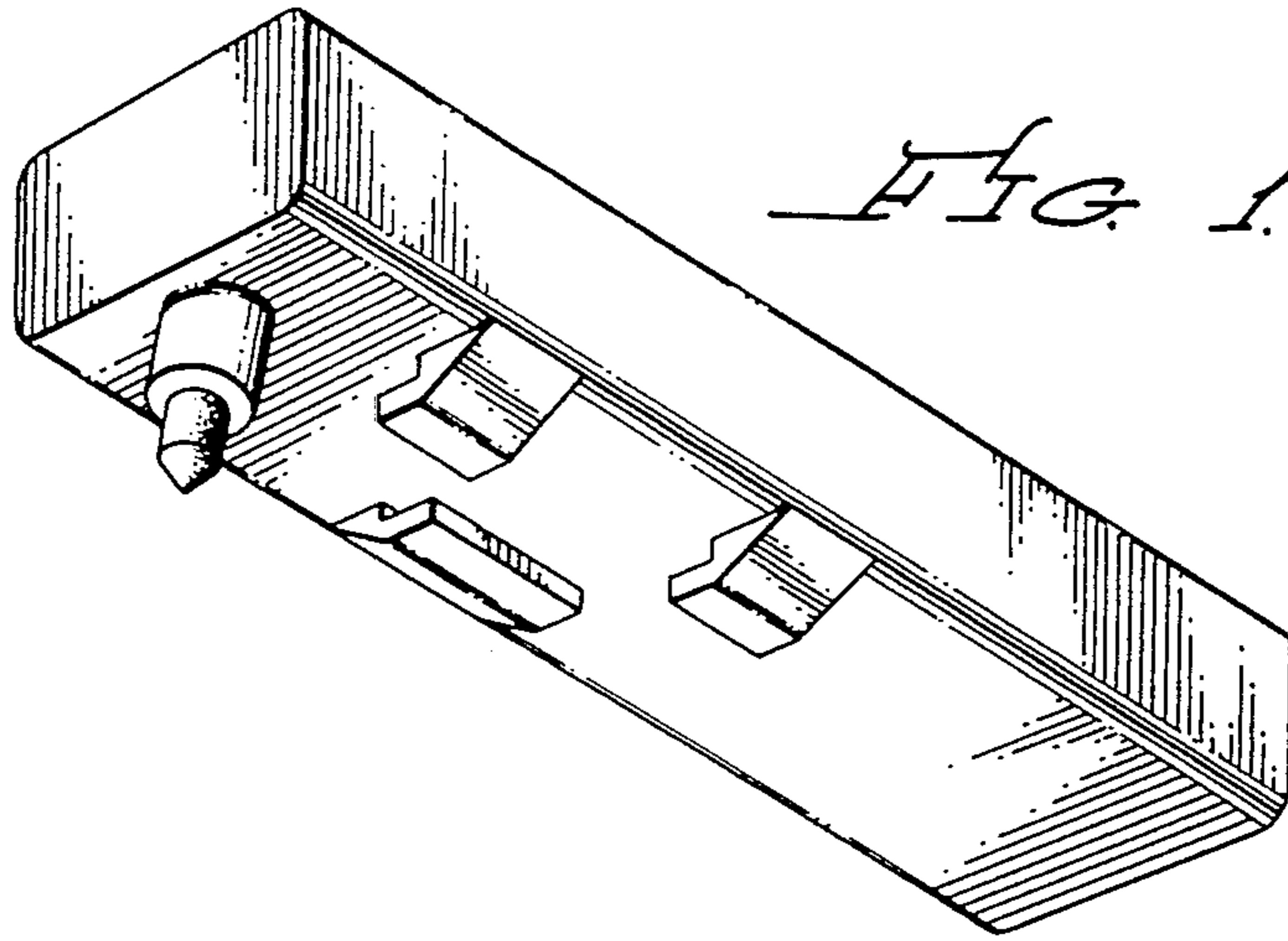


FIG. 3

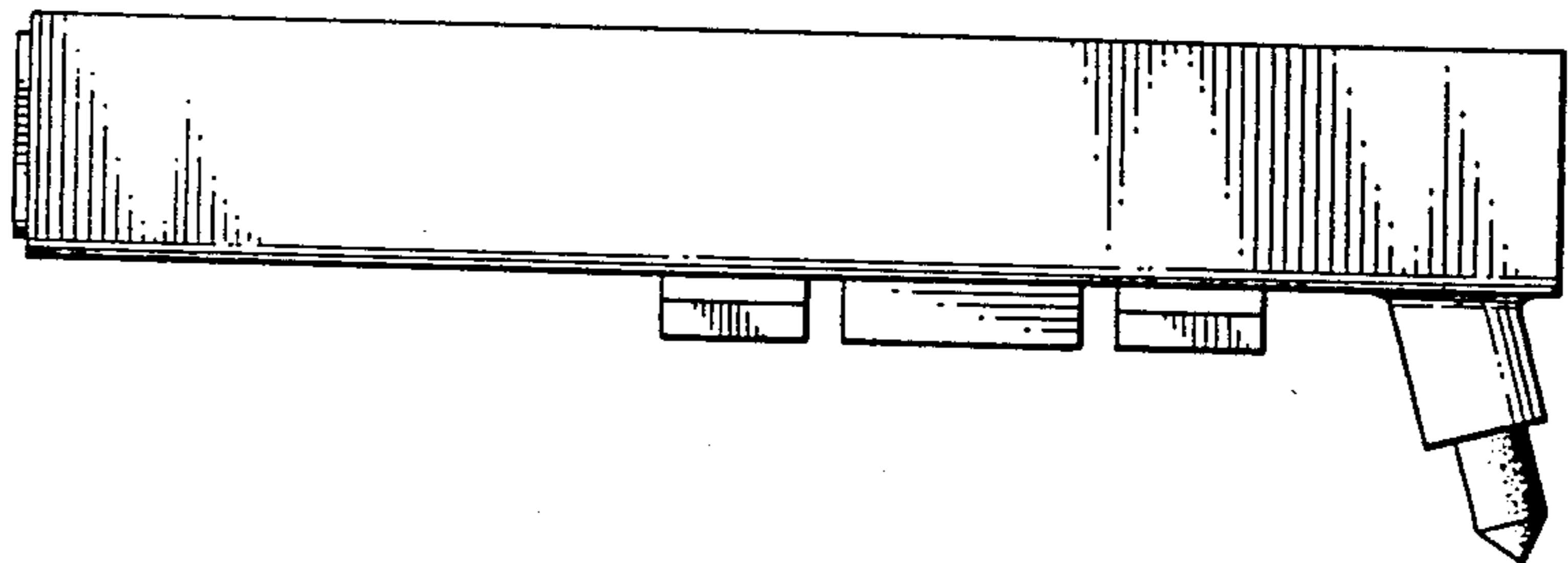


FIG. 4

