

[54] POCKET CAMERA

[75] Inventors: Paul D. Miller, New York; V. Lorenzo Porcelli, Ossining, both of N.Y.

[73] Assignee: GAF Corporation, New York, N.Y.

[**] Term: 14 Years

[21] Appl. No.: 663,990

[22] Filed: Mar. 4, 1976

[51] Int. Cl. D16-01

[52] U.S. Cl. D16/05

[58] Field of Search D16/1-10; 354/288, 83-93, 187-194, 152-156

[56] References Cited

U.S. PATENT DOCUMENTS

D. 186,337	10/1959	Someha et al.	D16/1
D. 216,162	11/1969	Grosso	D16/5
D. 233,367	10/1974	Bourke	D16/6
D. 241,168	8/1976	Woodring et al.	D16/6

Primary Examiner—Wallace R. Burke

Assistant Examiner—Catherine Kemper

Attorney, Agent, or Firm—Walter C. Kehm

[57] CLAIM

The ornamental design for a pocket camera, substantially as shown and described.

DESCRIPTION

FIG. 1 is a front perspective view illustrating the top, front and left side of a pocket camera in the nonoperating position showing my new design;

FIG. 2 is a perspective view thereof showing the top, front and left side when in the operating position;

FIG. 3 is a perspective view thereof showing the top, rear and right side when in the nonoperating position;

FIG. 4 is a perspective view thereof illustrating the top, rear and right side when in the operating position;

FIG. 5 is a perspective view thereof illustrating the bottom, rear and left side when in the nonoperating position; and

FIG. 6 is a perspective view thereof illustrating the bottom, rear and left side when in the operating position.

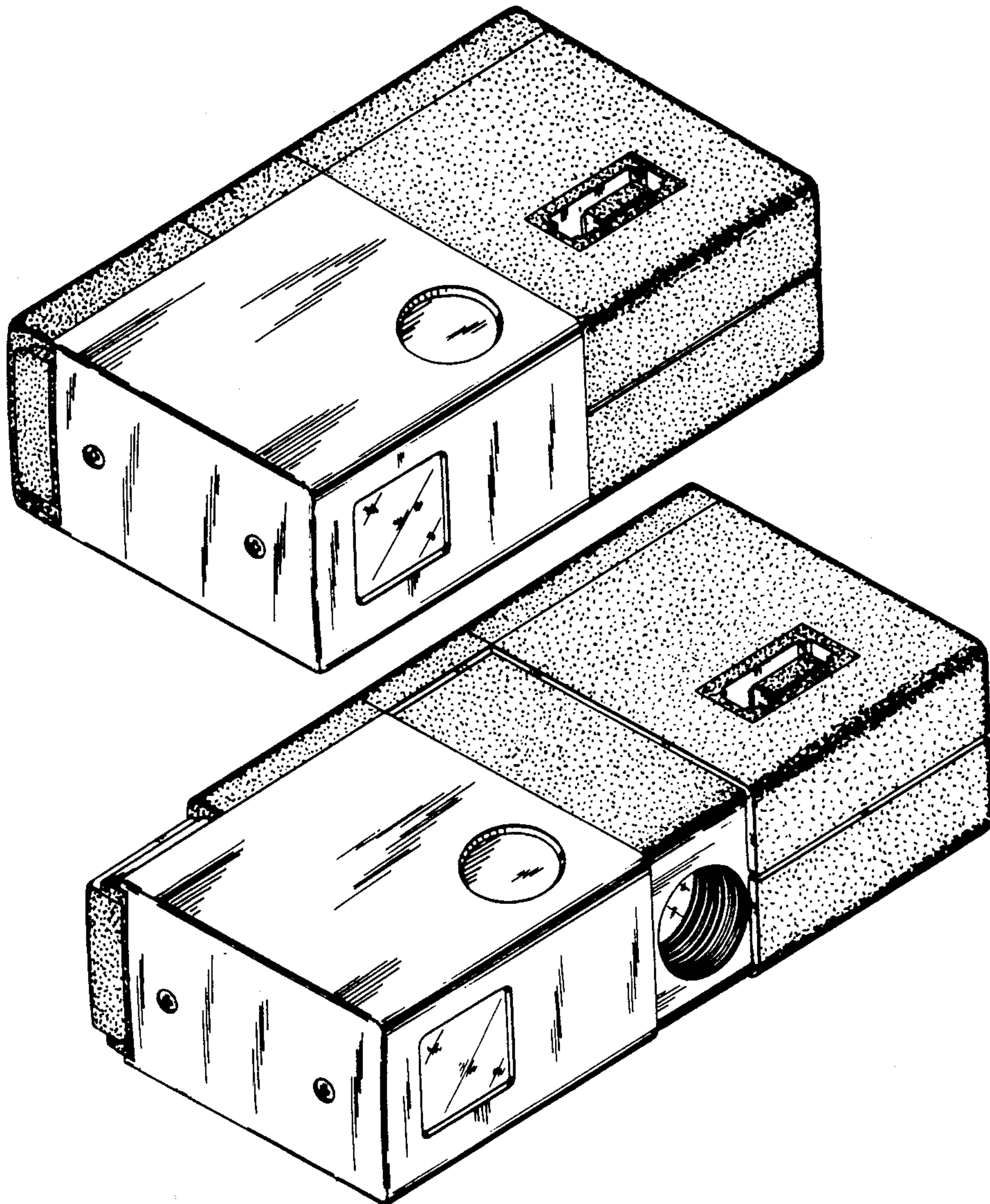


FIG. 1

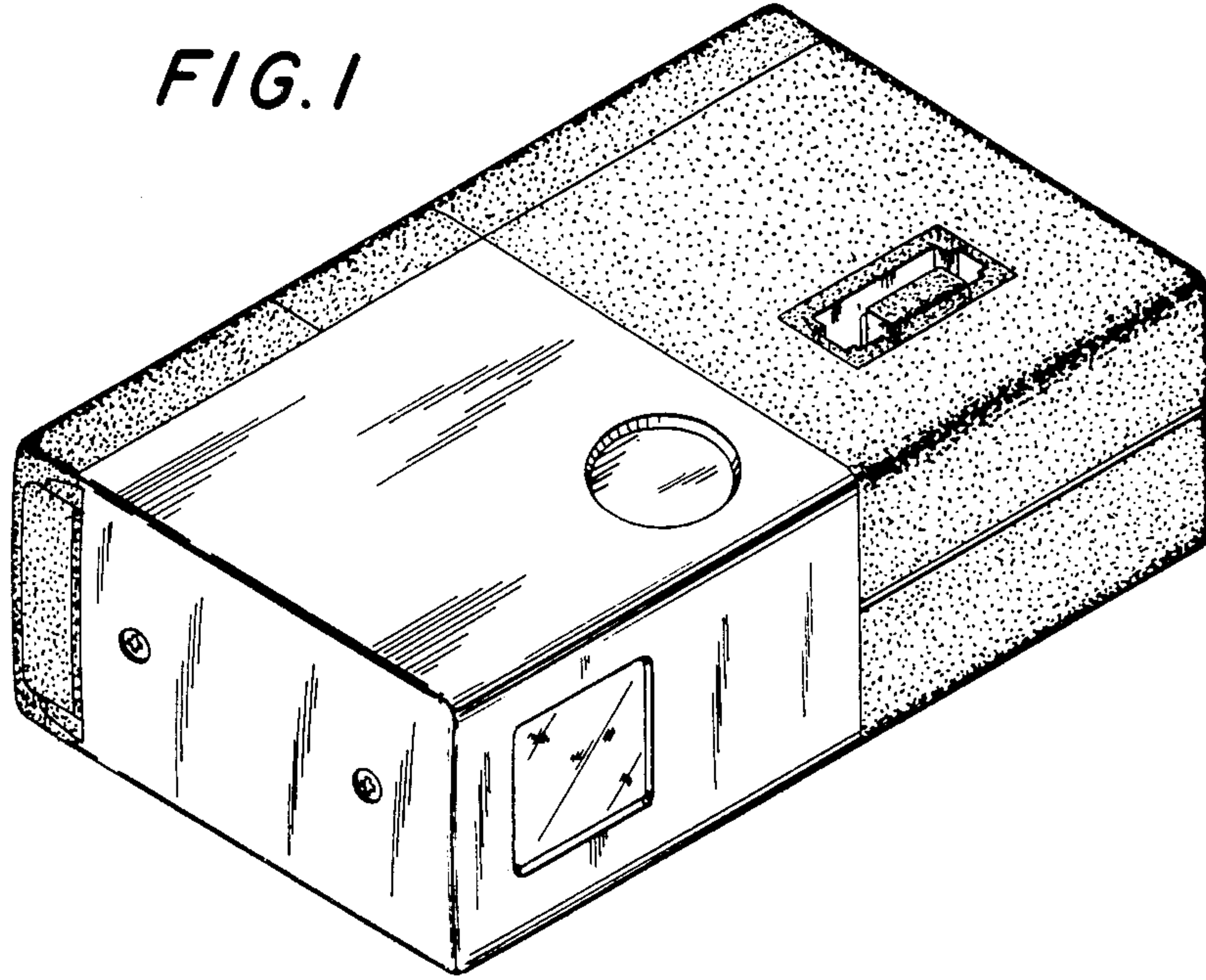


FIG. 2

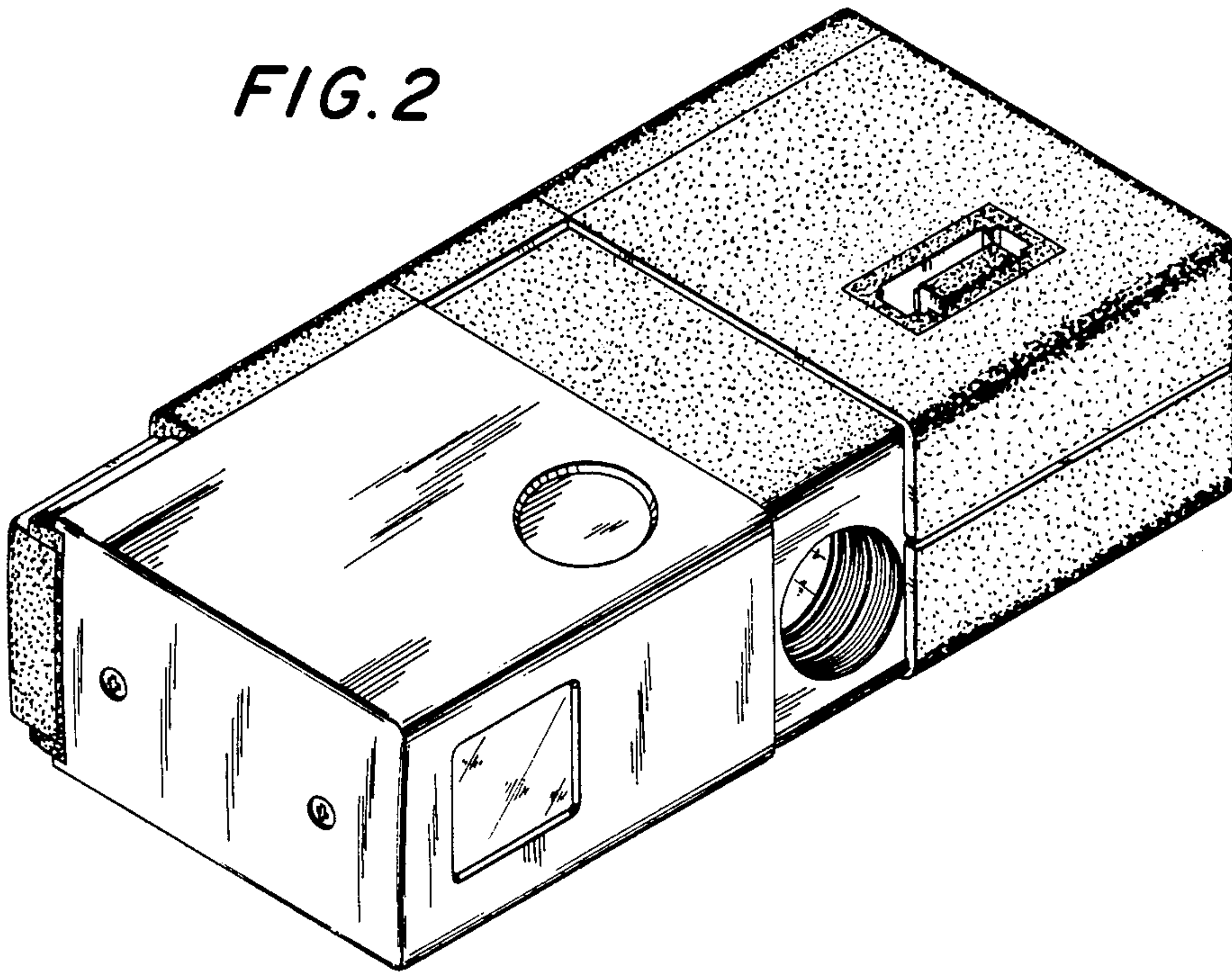


FIG. 3

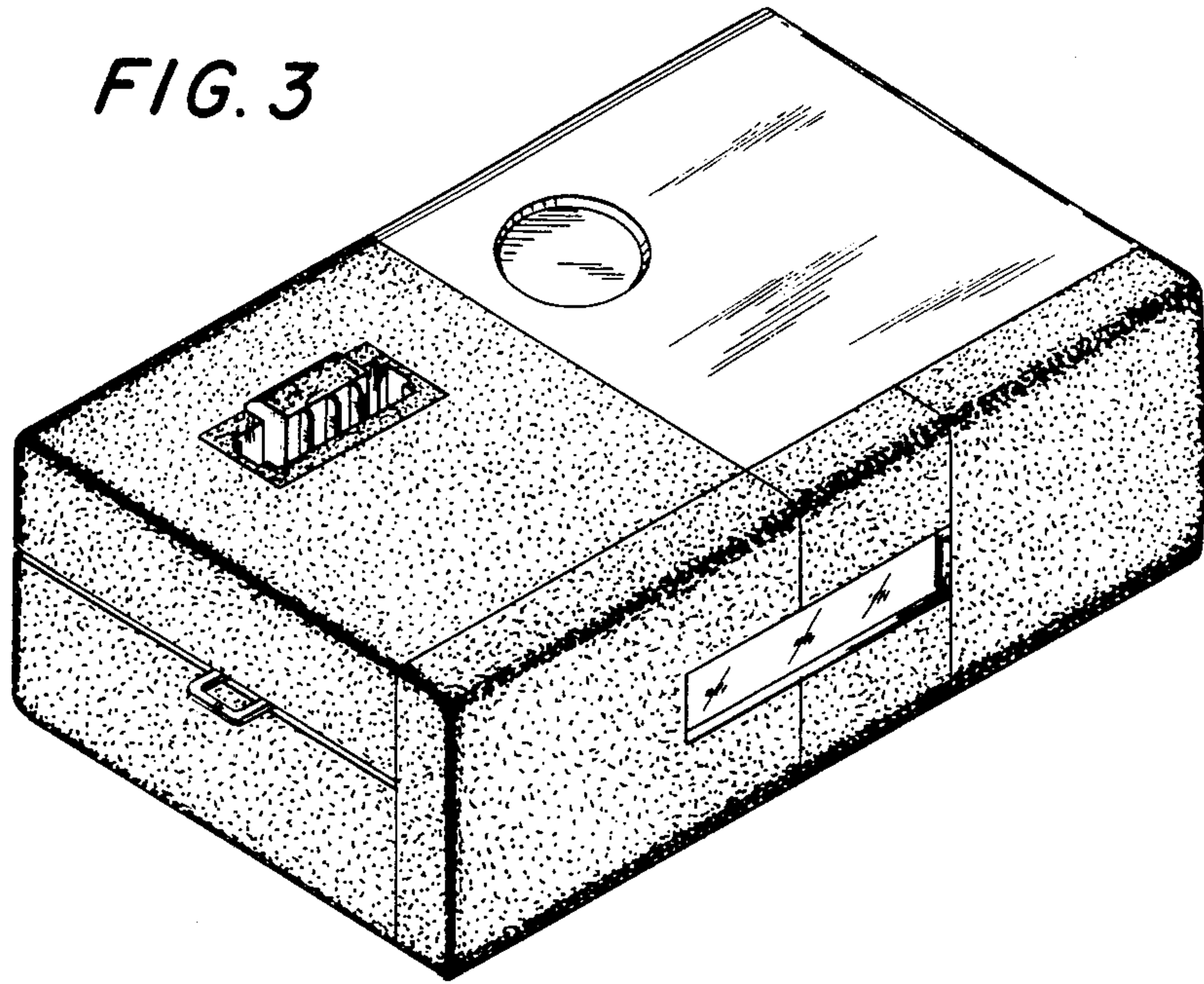


FIG. 4

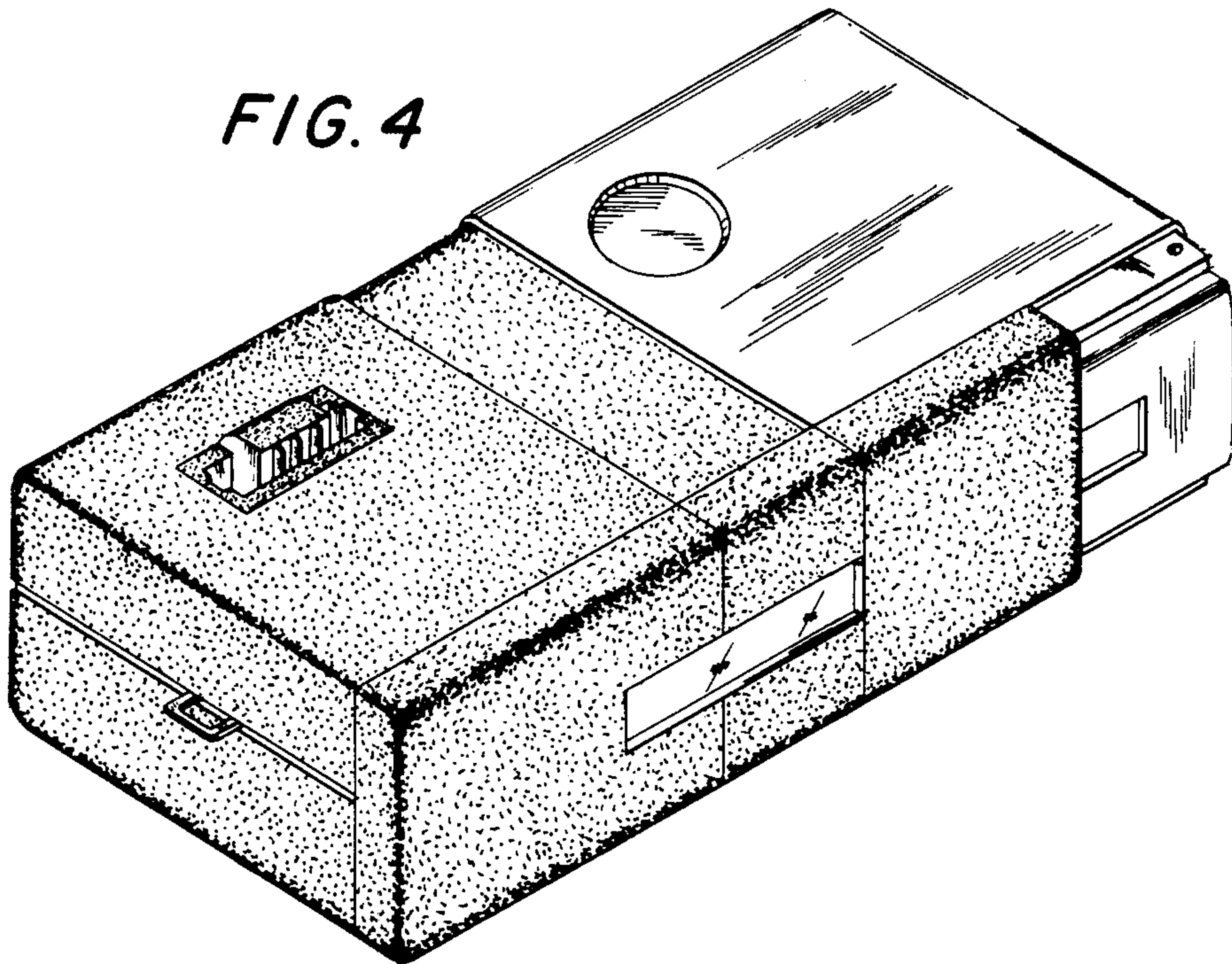


FIG. 5

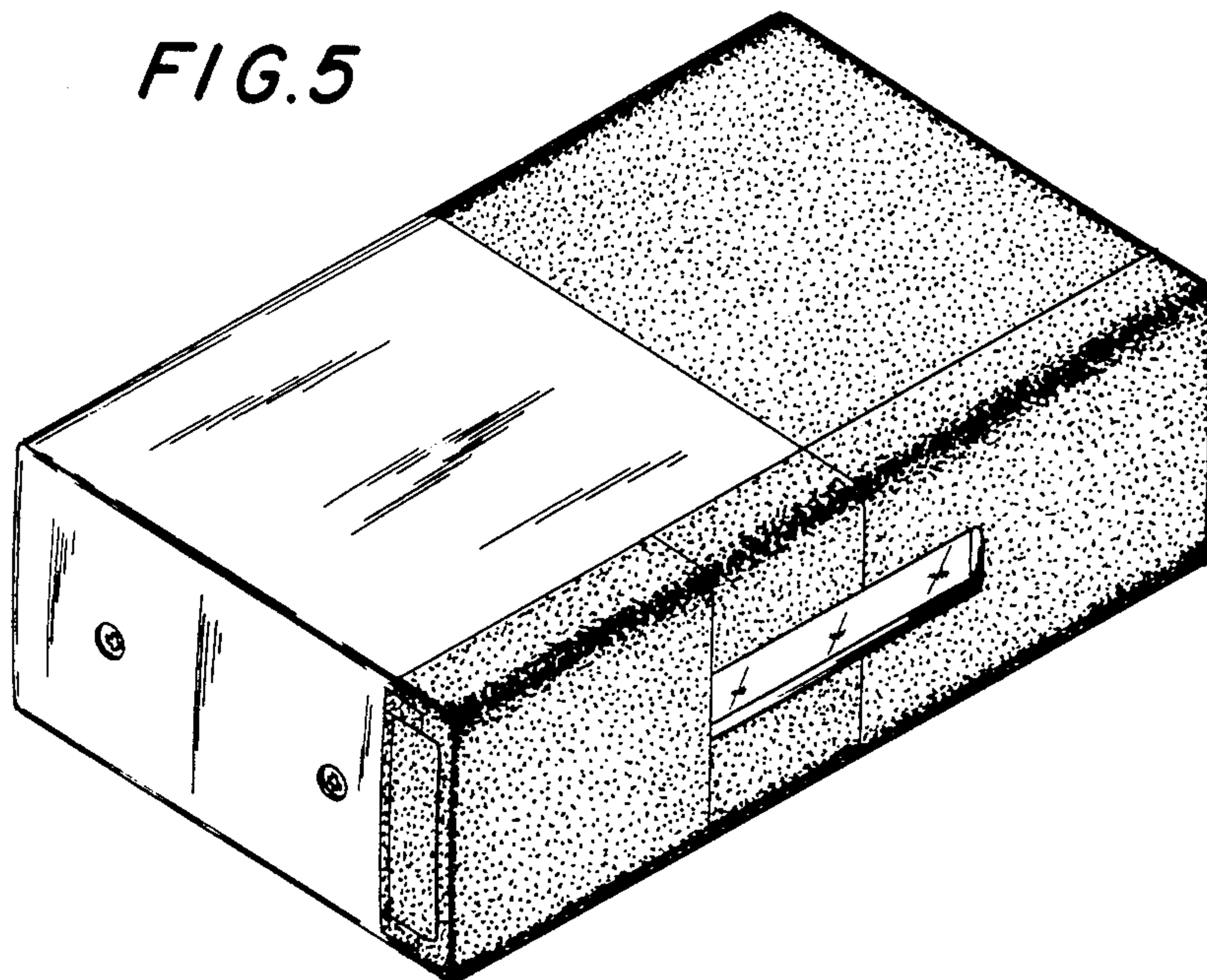


FIG. 6

