

[54] VAN TOP EXTENSION

[76] Inventor: Charles K. Waldman, 733 Sapphire St., Redondo Beach, Calif. 90277

[\*\*] Term: 14 Years

[21] Appl. No.: 659,988

[22] Filed: Feb. 23, 1976

[51] Int. Cl. .... D12-16

[52] U.S. Cl. .... D12/156

[58] Field of Search ..... D12/156; 296/10, 23 MC, 296/23 R, 99, 26, 137 B, 137 R

[56] References Cited

U.S. PATENT DOCUMENTS

2,556,062 6/1951 Buehrig ..... 296/137 B  
D. 207,398 4/1967 Block et al. .... D12/156

D. 219,142 11/1970 Ritter ..... D12/156

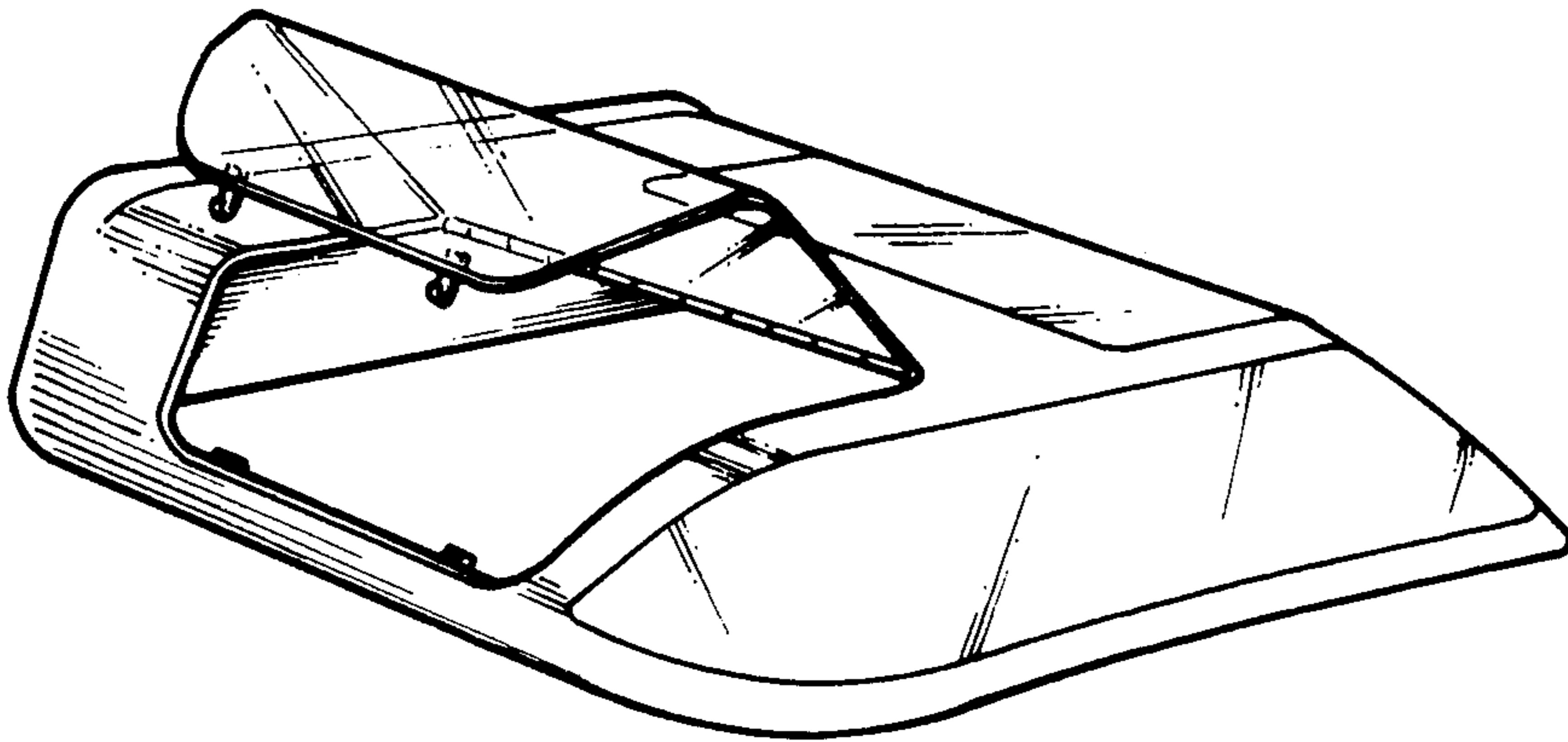
Primary Examiner—Wallace R. Burke  
Assistant Examiner—James M. Gandy  
Attorney, Agent, or Firm—Charles E. Wills

[57] CLAIM

The ornamental design for a van top extension, as shown.

DESCRIPTION

FIG. 1 is a perspective view of a van top extension embodying my new design;  
FIG. 2 is a rear end elevational view thereof, opposite to the front end shown in FIG. 1;  
FIG. 3 is a side elevational view thereof;  
FIG. 4 is a top plan view thereof, and  
FIG. 5 is a bottom plan view thereof.



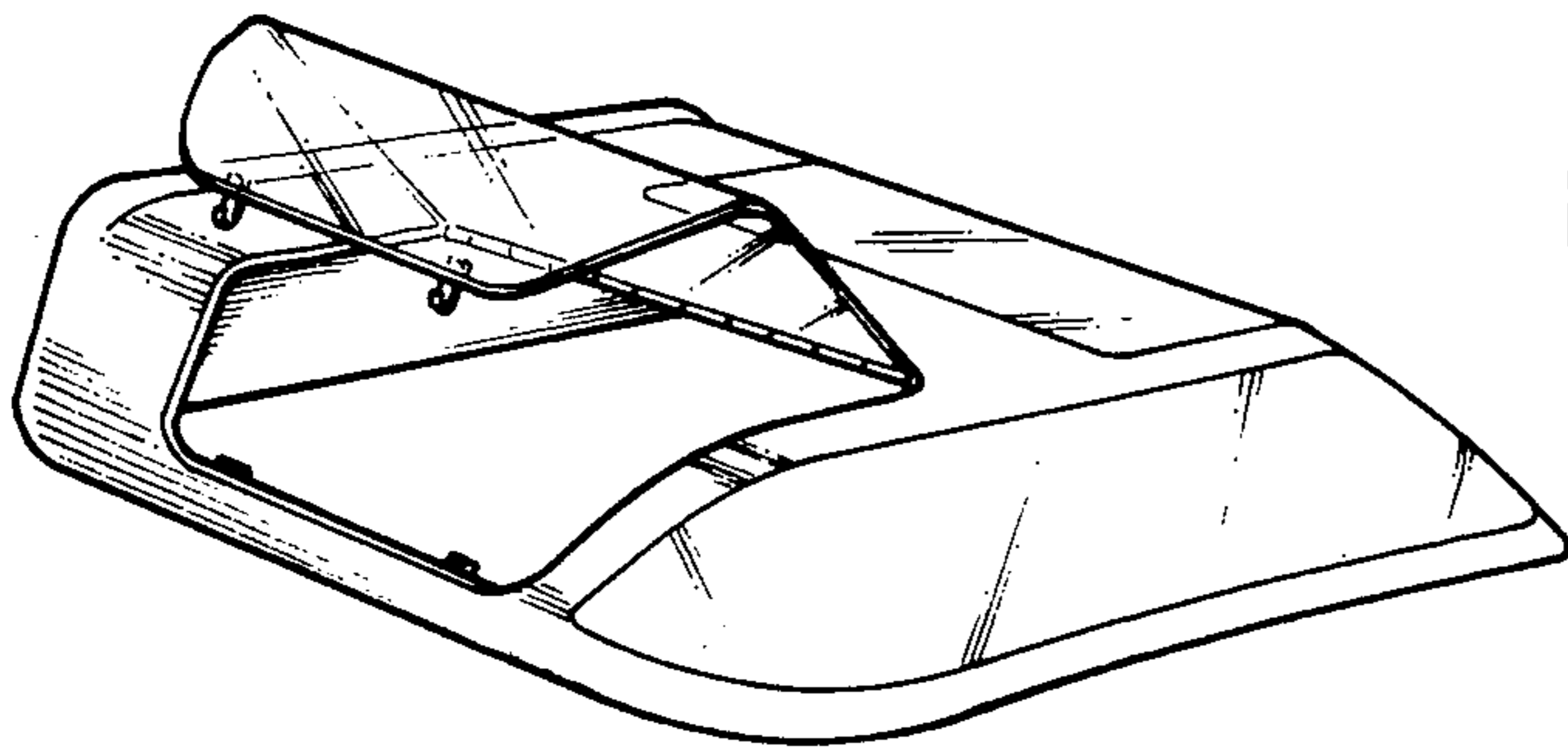


FIG. 1

FIG. 2

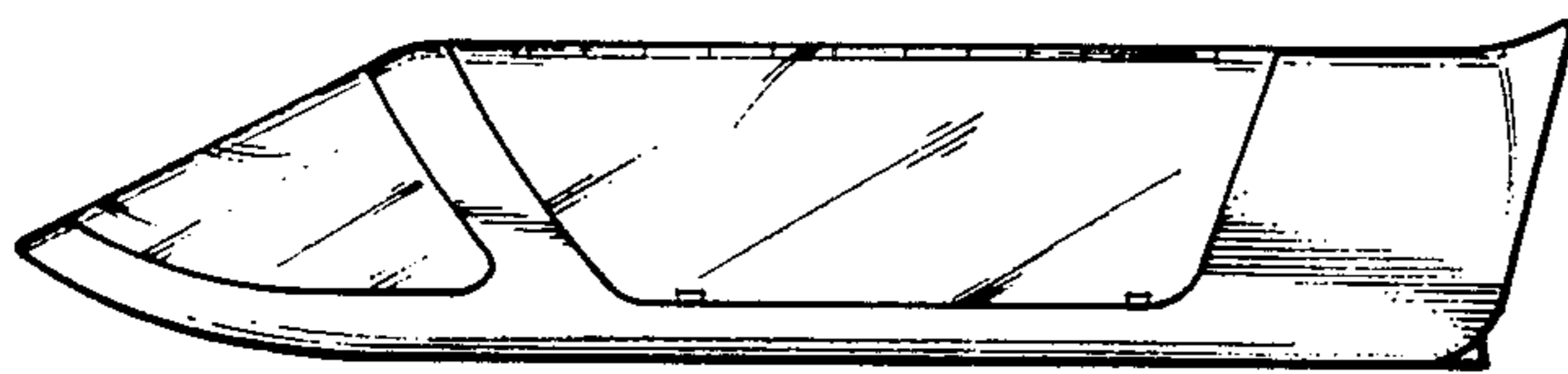
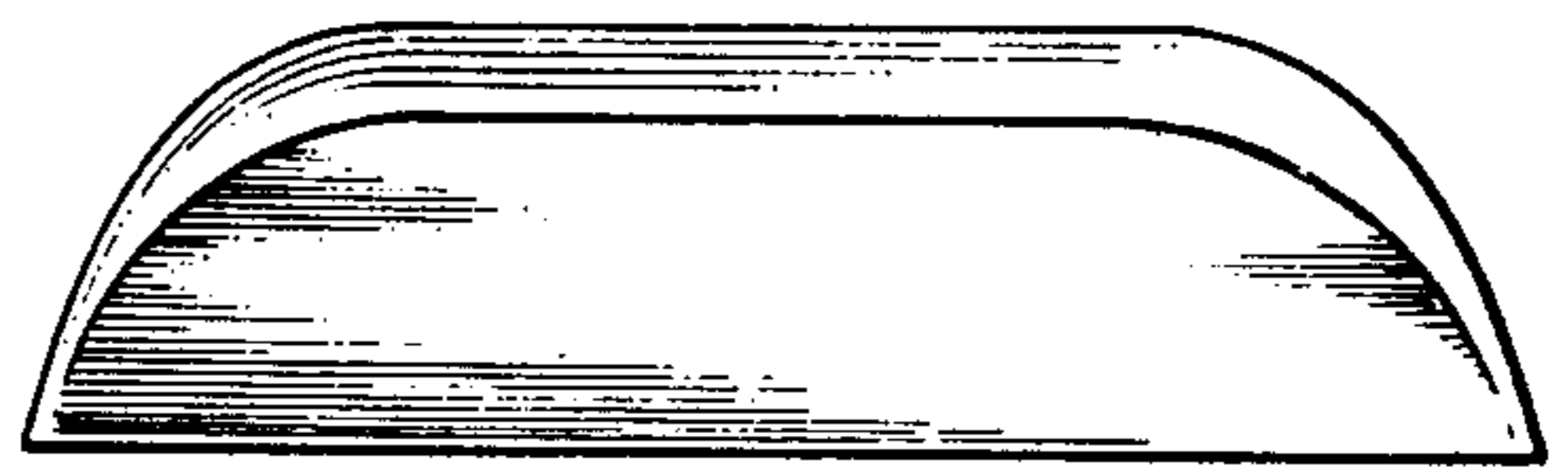


FIG. 3

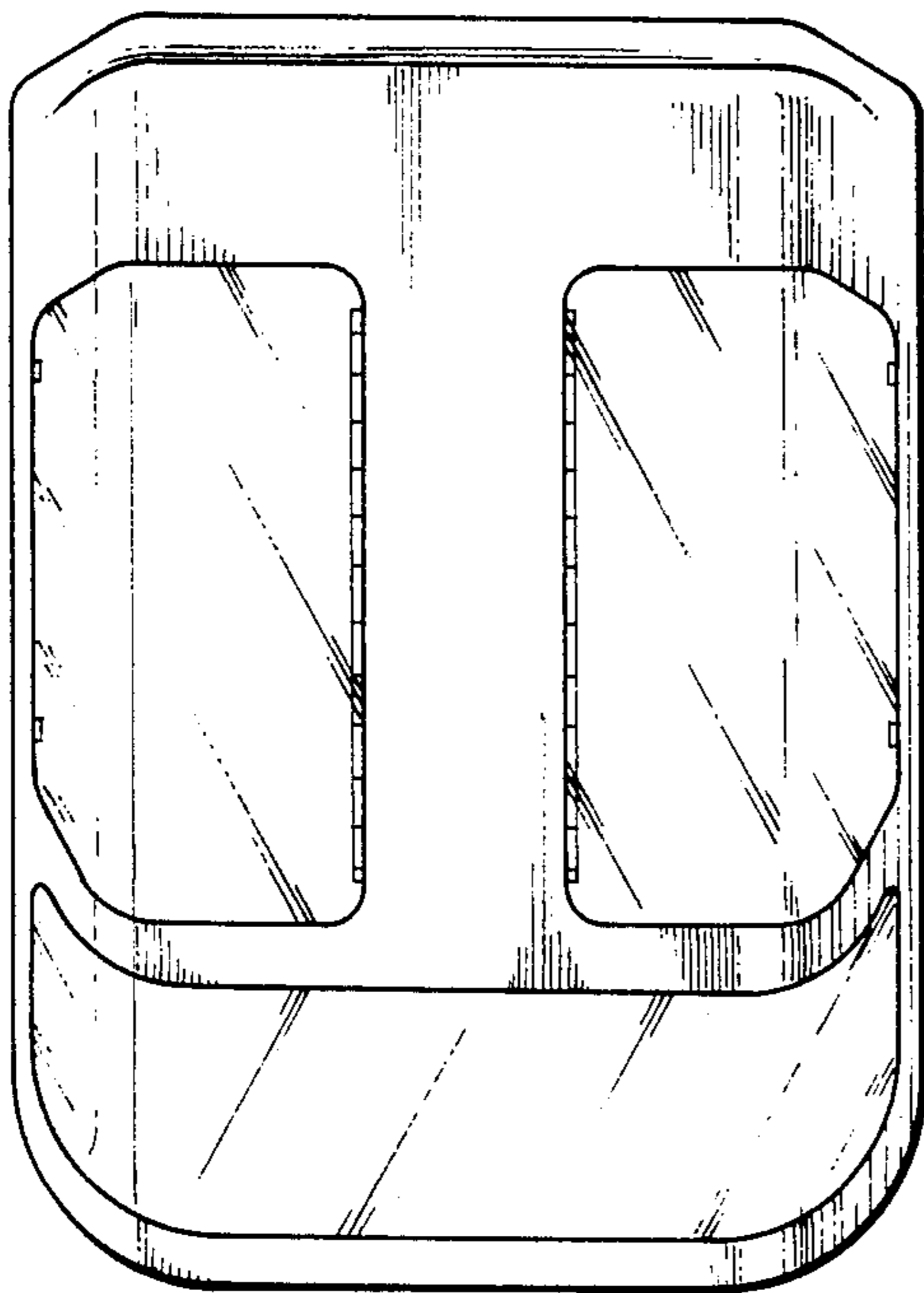


FIG. 4

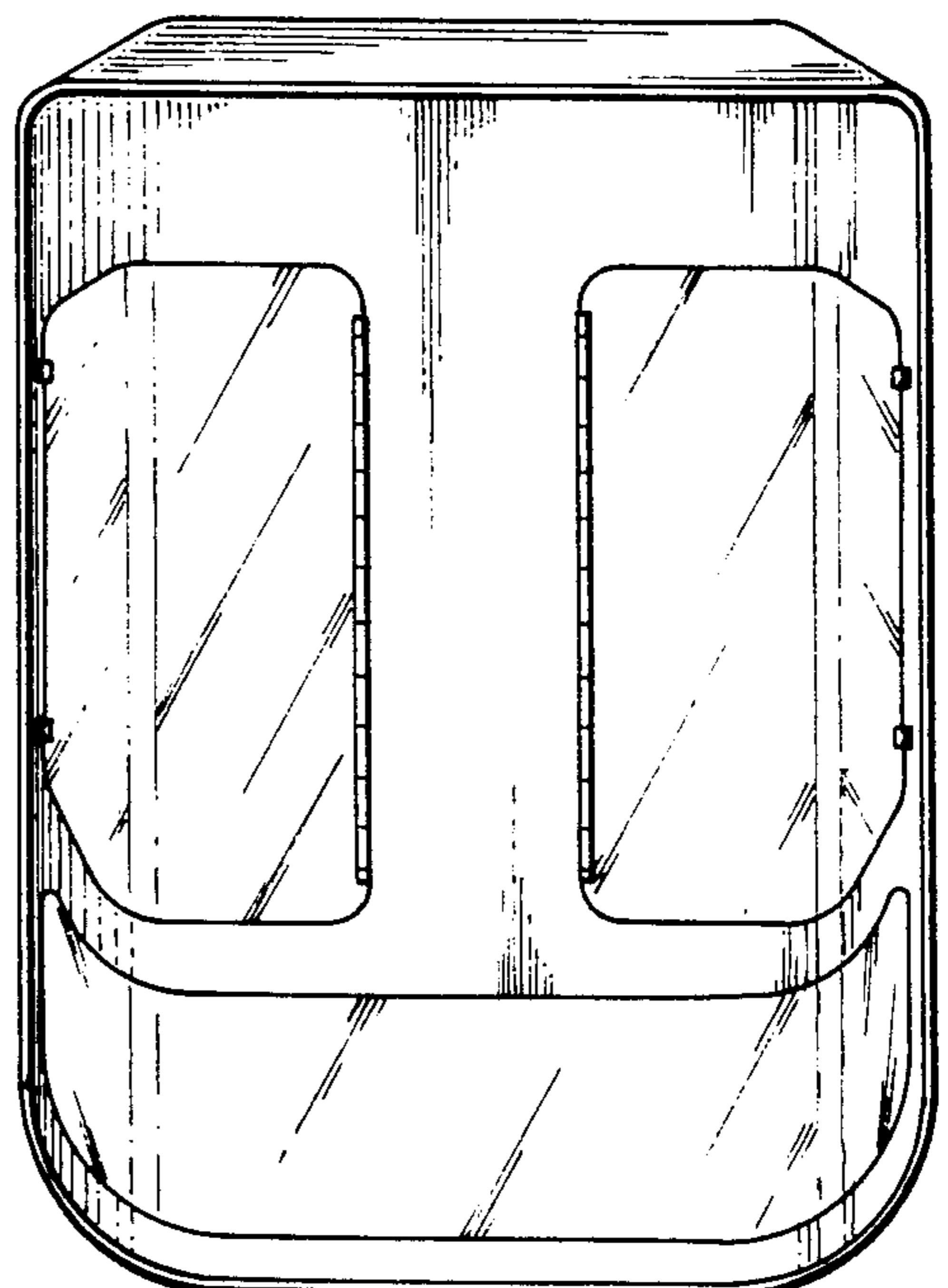


FIG. 5