

[54] SECTIONAL BOAT

[76] Inventor: Robert E. Grind, 512 Fairview Court, Placerville, Calif. 95667

[\*\*] Term: 14 Years

[21] Appl. No.: 559,317

[22] Filed: Mar. 17, 1975

[51] Int. Cl. .... D12-06

[52] U.S. Cl. .... D12/62

[58] Field of Search ..... D12/62; 9/2 P

[56] References Cited

U.S. PATENT DOCUMENTS

3,097,371	7/1963	Rough	9/2 F X
D. 215,895	11/1969	Feer	D12/62
D. 232,709	9/1974	Marrin	D12/62

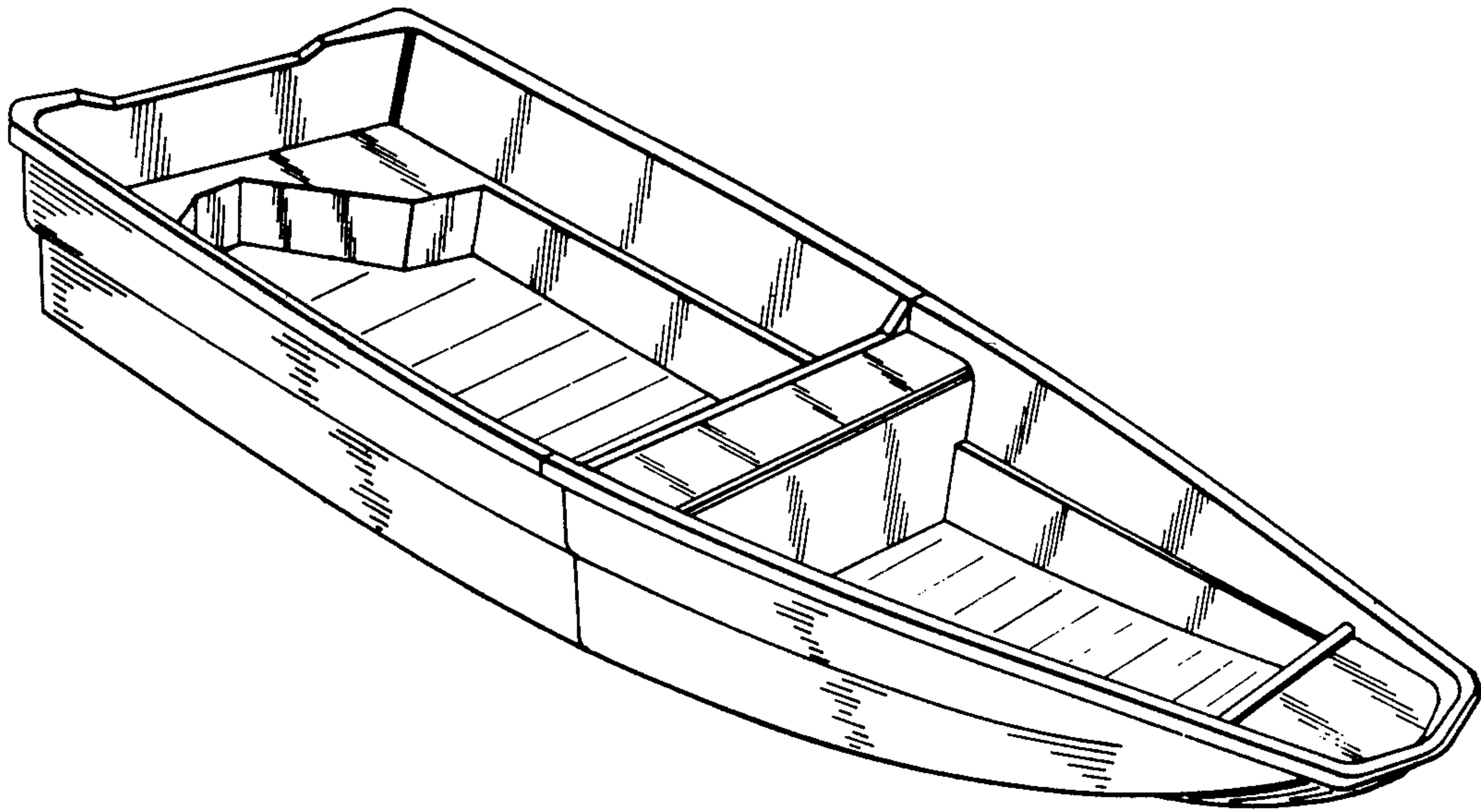
Primary Examiner—Alan P. Douglas

[57] CLAIM

The ornamental design for a sectional boat, substantially as shown and described.

DESCRIPTION

FIG. 1 is a top perspective view of the sectional boat comprising the invention;  
 FIG. 2 is a plan view of the sectional boat;  
 FIG. 3 is an elevation view of the sectional boat;  
 FIG. 4 is a bottom perspective view of the sectional boat showing the sections slightly separated;  
 FIG. 5 is a bottom view of the sectional boat as it appears when nested together for transport or storage;  
 FIG. 6 is a top view of the sectional boat as it appears when nested together for transport or storage;  
 FIG. 7 is a rear or aft elevation view of the sectional boat;  
 FIG. 8 is a front or forward elevation view of the sectional boat.



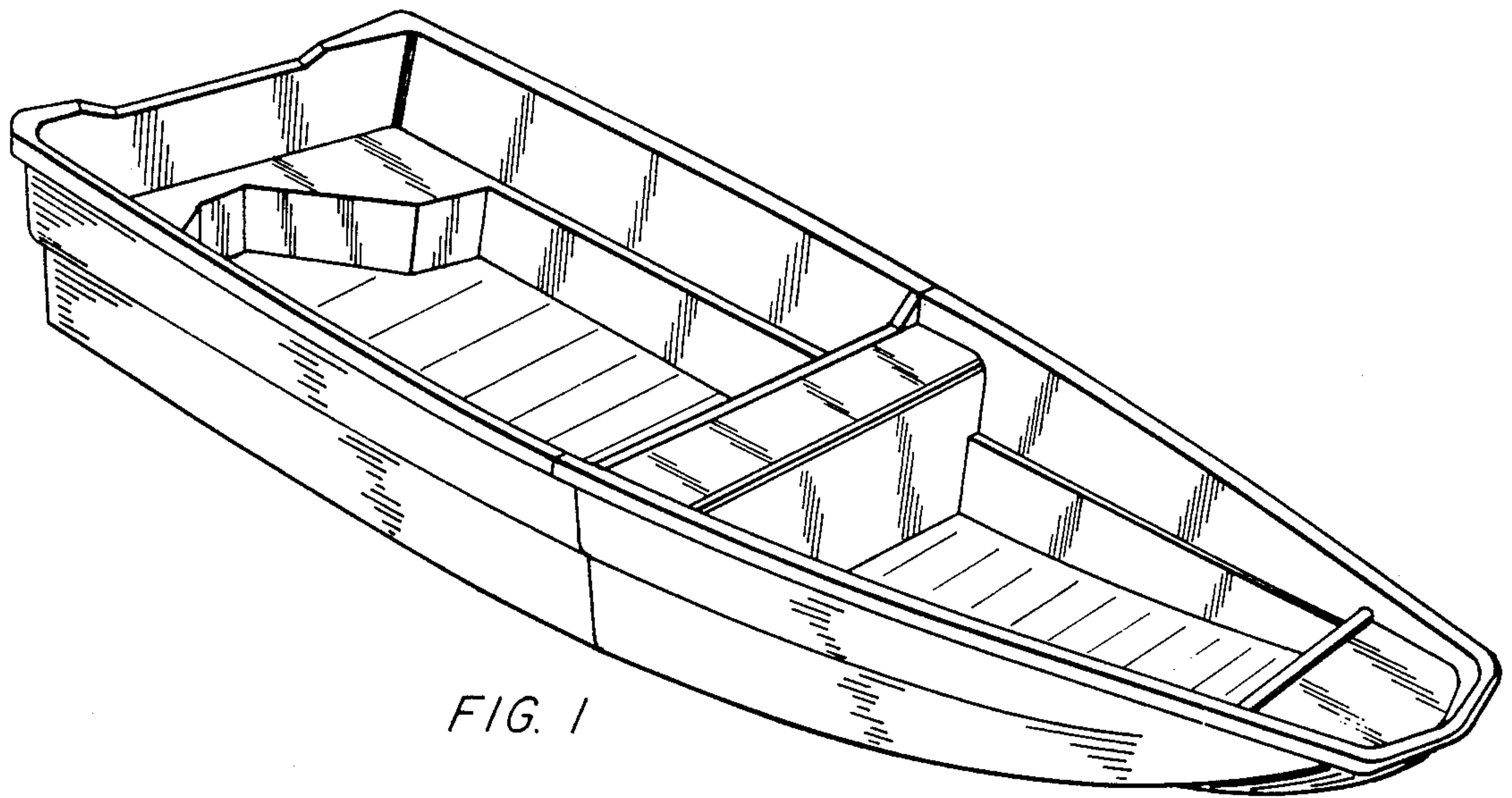


FIG. 1

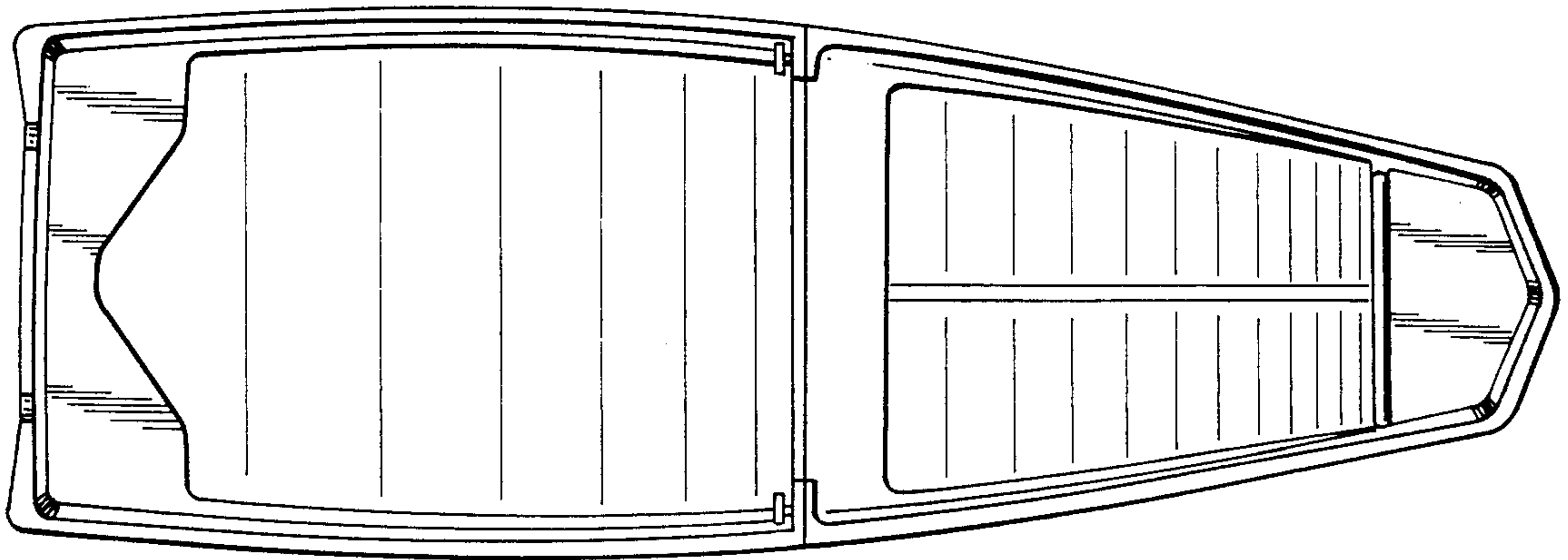


FIG. 2

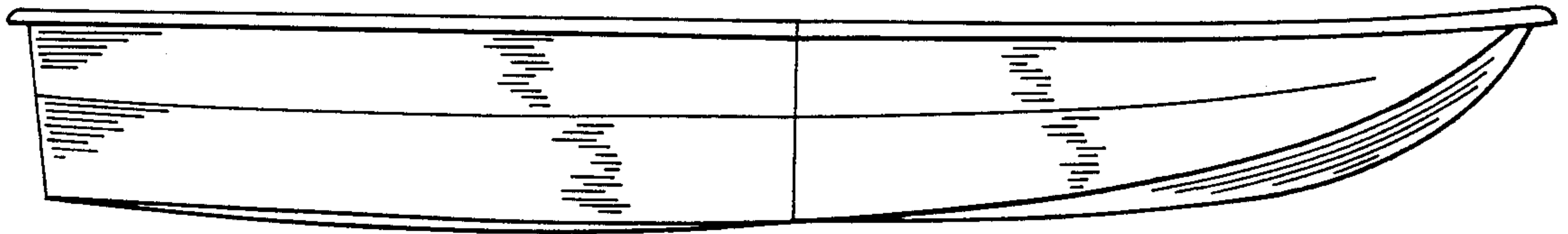


FIG. 3

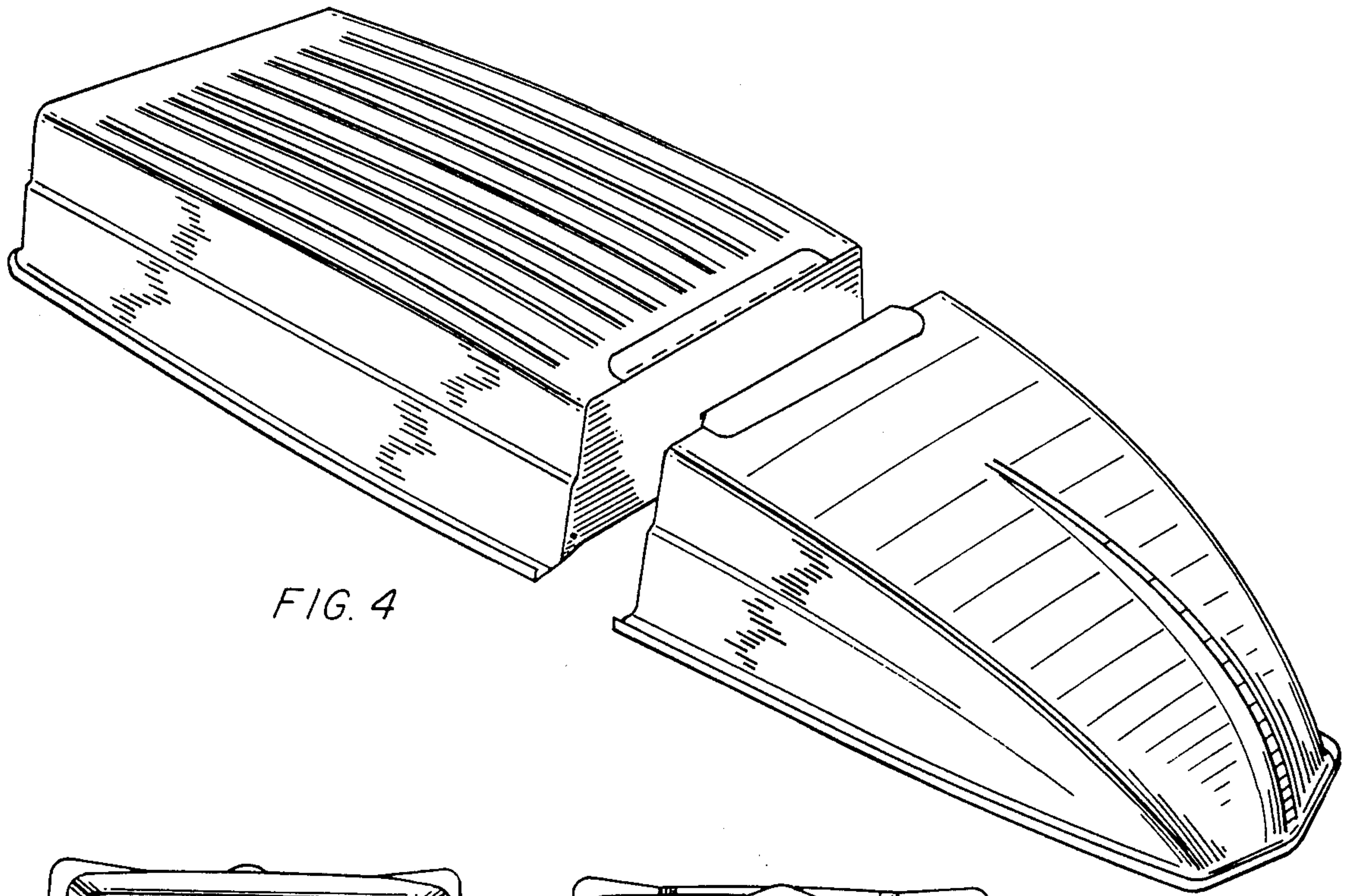


FIG. 4

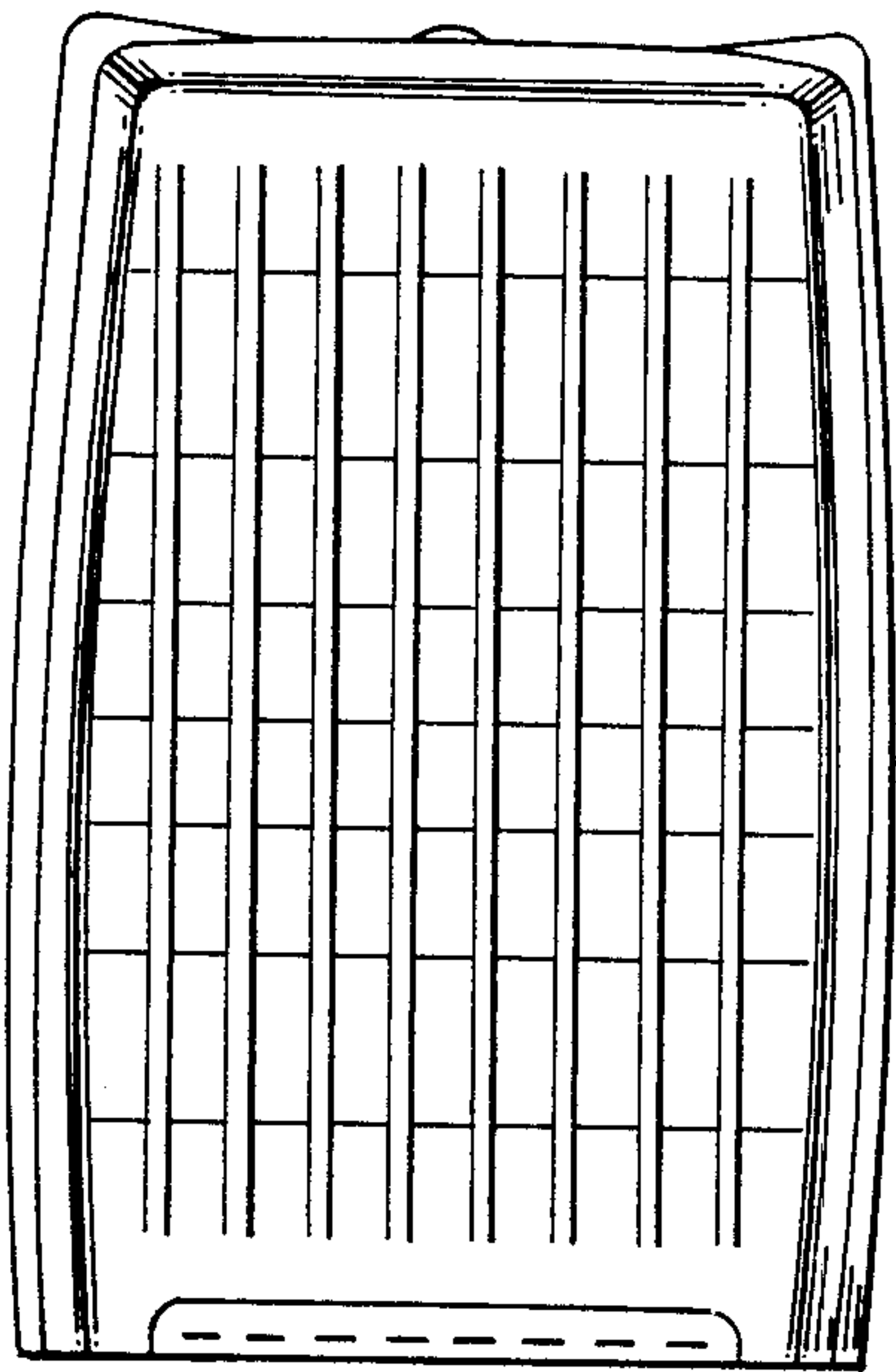


FIG. 5

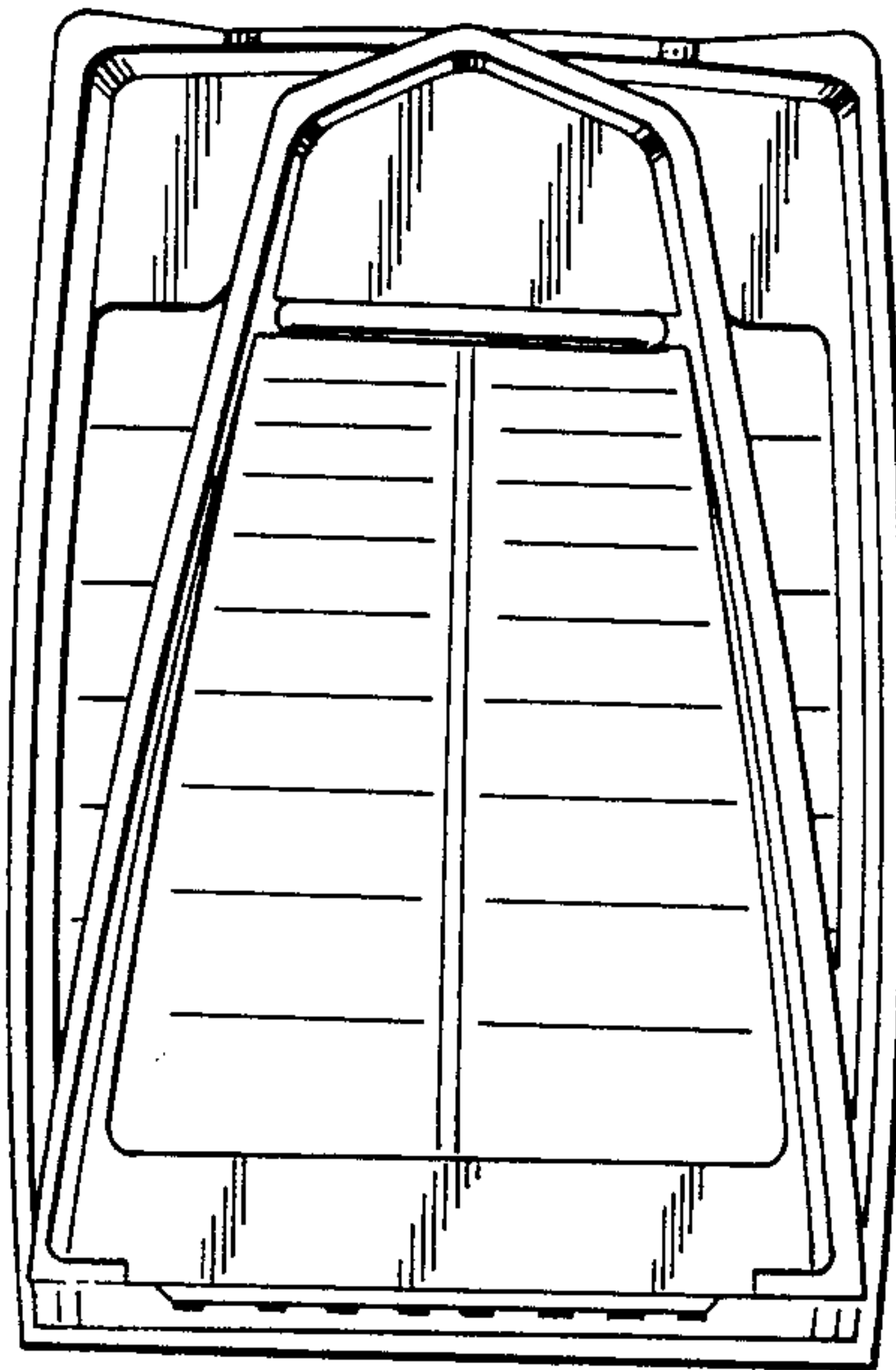


FIG. 6

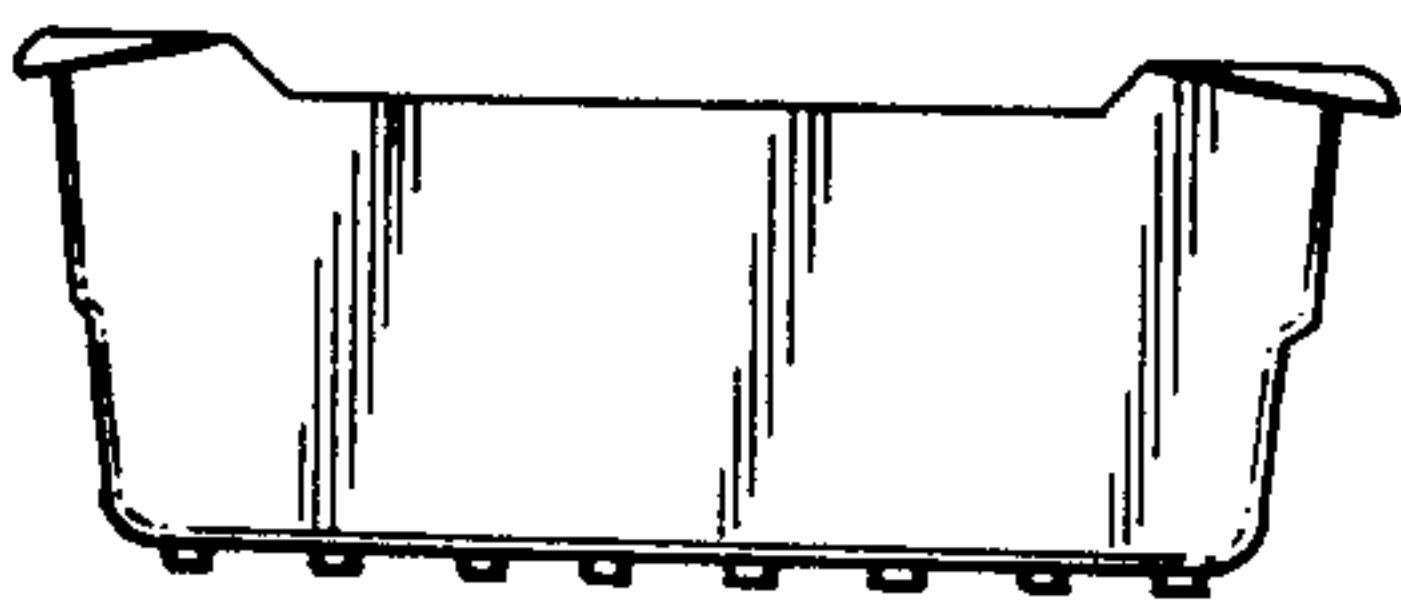


FIG. 7

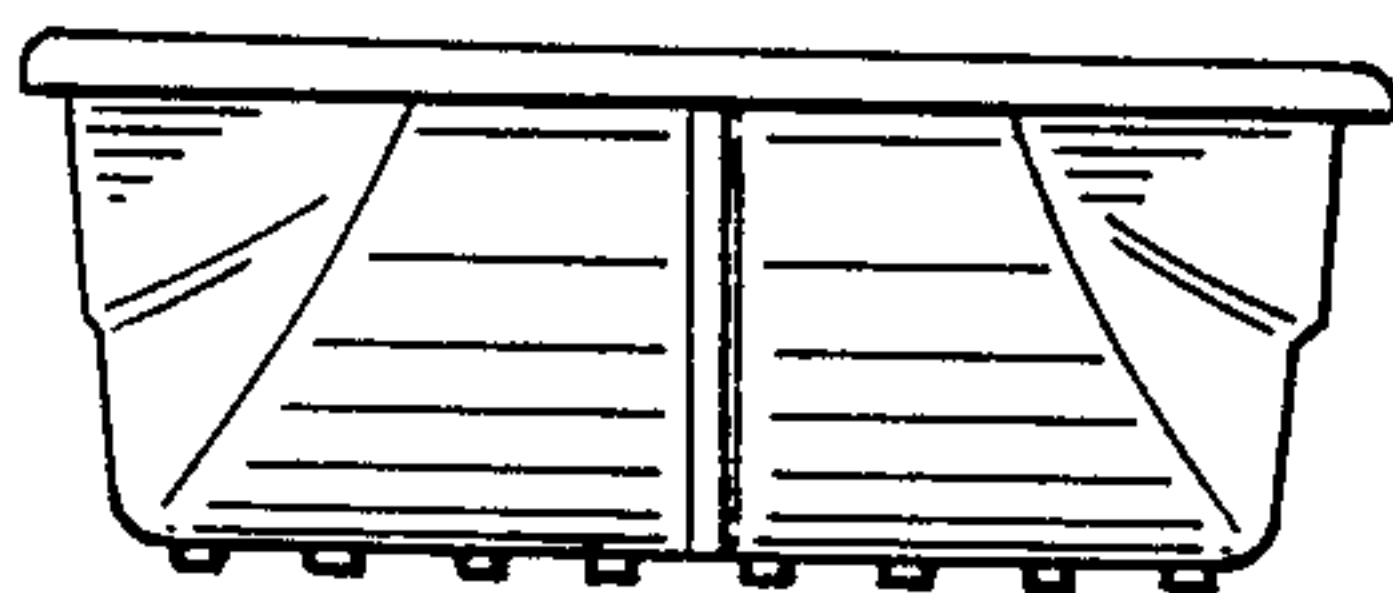


FIG. 8