

[54] COMBINED WATCH AND CALCULATOR

[75] Inventors: Arthur F. Cake, Stamford, Conn.;  
Morris M. Levine, Scarsdale, N.Y.;  
Alena Rolny; Paul Rolny, both of  
Watertown, Conn.

[73] Assignee: Uranus Electronics Inc., Port  
Chester, N.Y.

[\*\*] Term: 14 Years

[21] Appl. No.: 598,678

[22] Filed: July 24, 1975

[51] Int. Cl. .... D10-02; D18-01

[52] U.S. Cl. .... D10/31

[58] Field of Search ..... D26/5 R, 5 C; D10/30,  
D10/31, 38, 39; 58/152 R, 50 R, 153, 23 R, 23  
A; 235/92 T, 152, 156

[56] References Cited

U.S. PATENT DOCUMENTS

3,803,834 4/1974 Reese ..... 58/152 R  
3,928,960 12/1975 Reese ..... 58/152 R

D. 215,112 9/1969 Meylan ..... D10/38

FOREIGN PATENT DOCUMENTS

1,391,637 1975 United Kingdom ..... 58/152 R

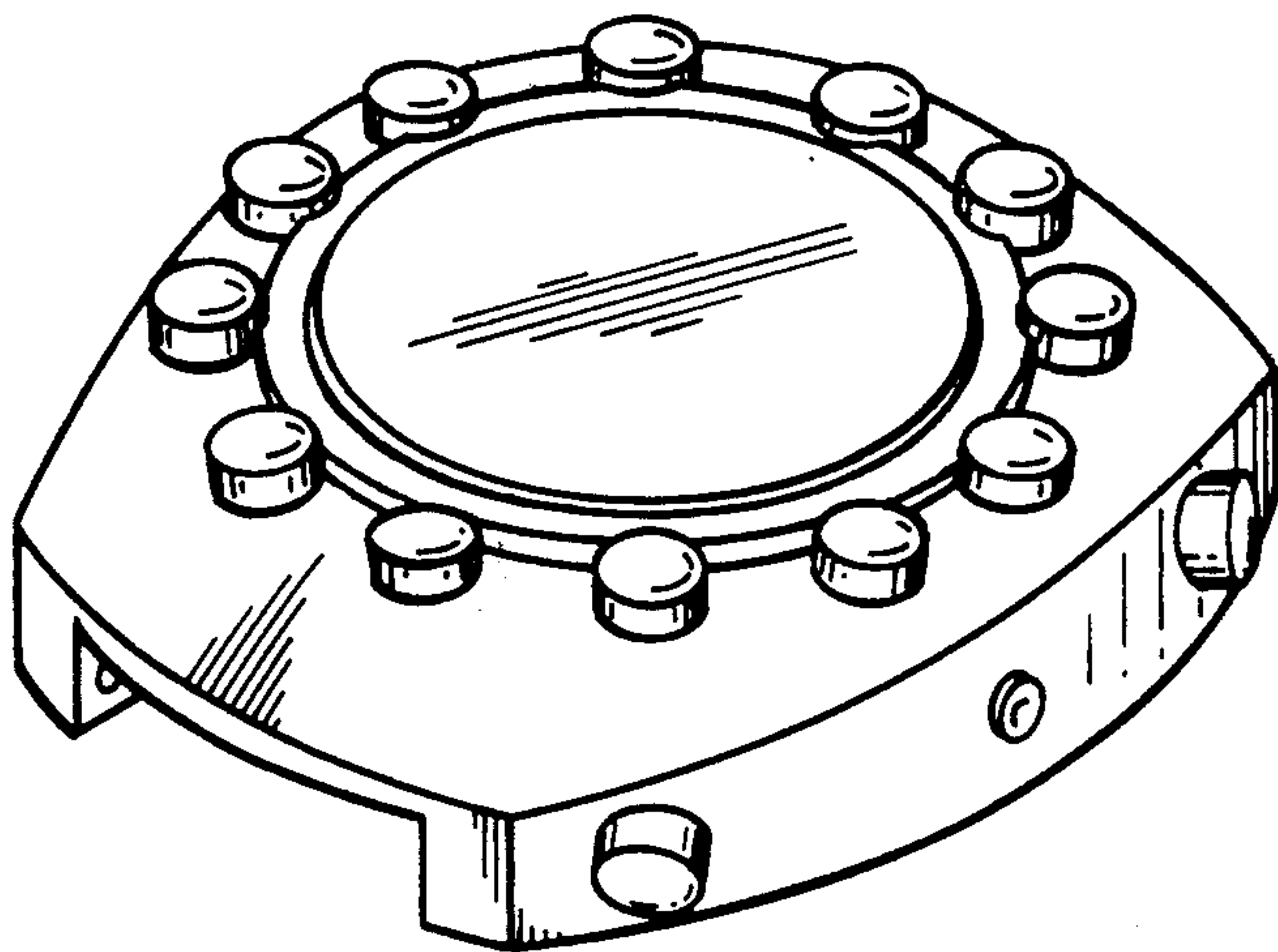
Primary Examiner—Wallace R. Burke  
Assistant Examiner—Catherine Kemper  
Attorney, Agent, or Firm—Leonard H. King

[57] CLAIM

The ornamental design for a combined watch and calculator, substantially as shown and described.

DESCRIPTION

FIG. 1 is a perspective view of a calculator watch showing our new design;  
FIG. 2 is a top plan view thereof;  
FIG. 3 is a left side elevational view thereof;  
FIG. 4 is a right side elevational view thereof;  
FIG. 5 is an end elevational view thereof;  
FIG. 6 is an elevational view of the opposite end thereof; and  
FIG. 7 is a bottom plan view thereof.



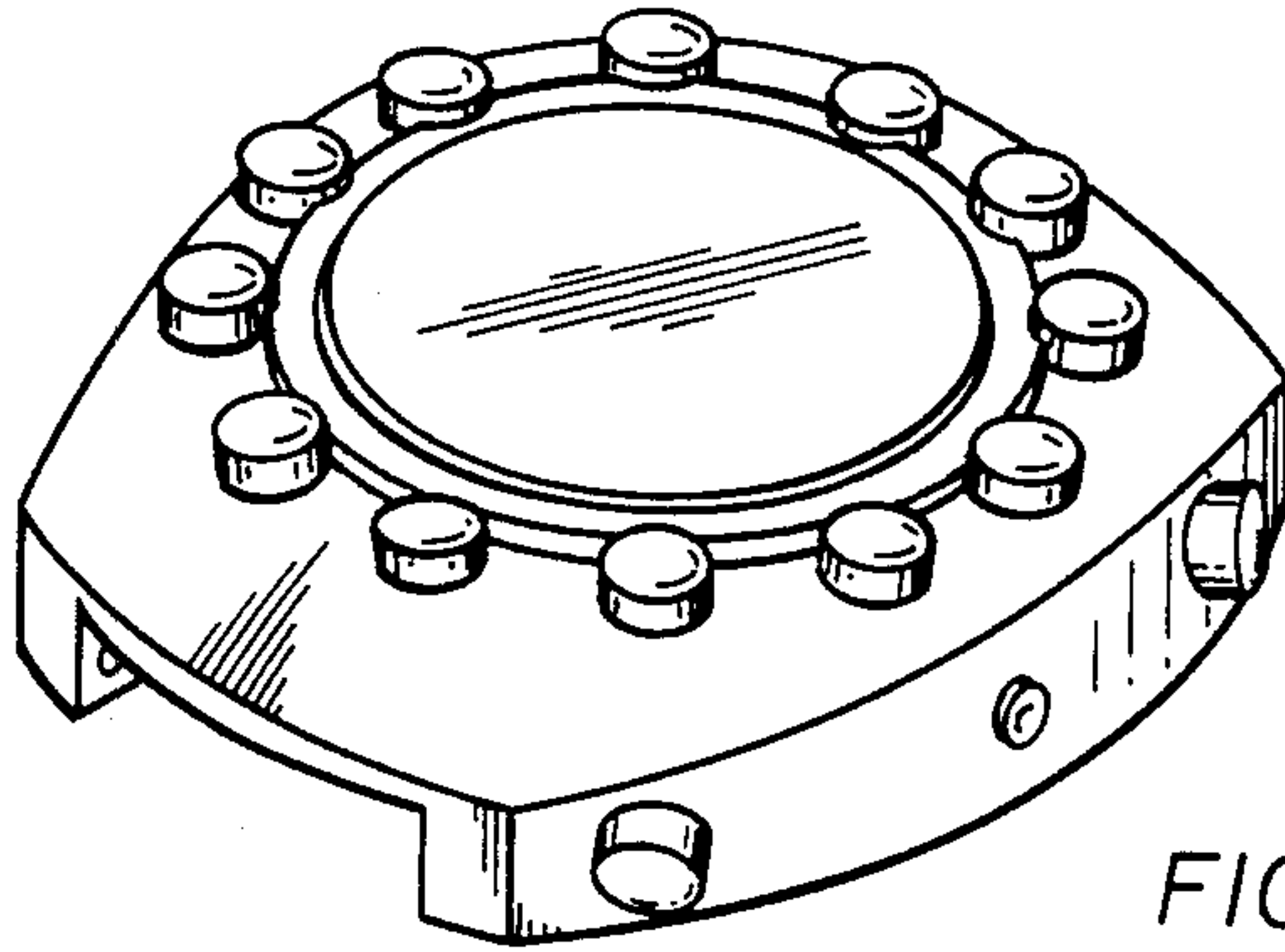


FIG. 1

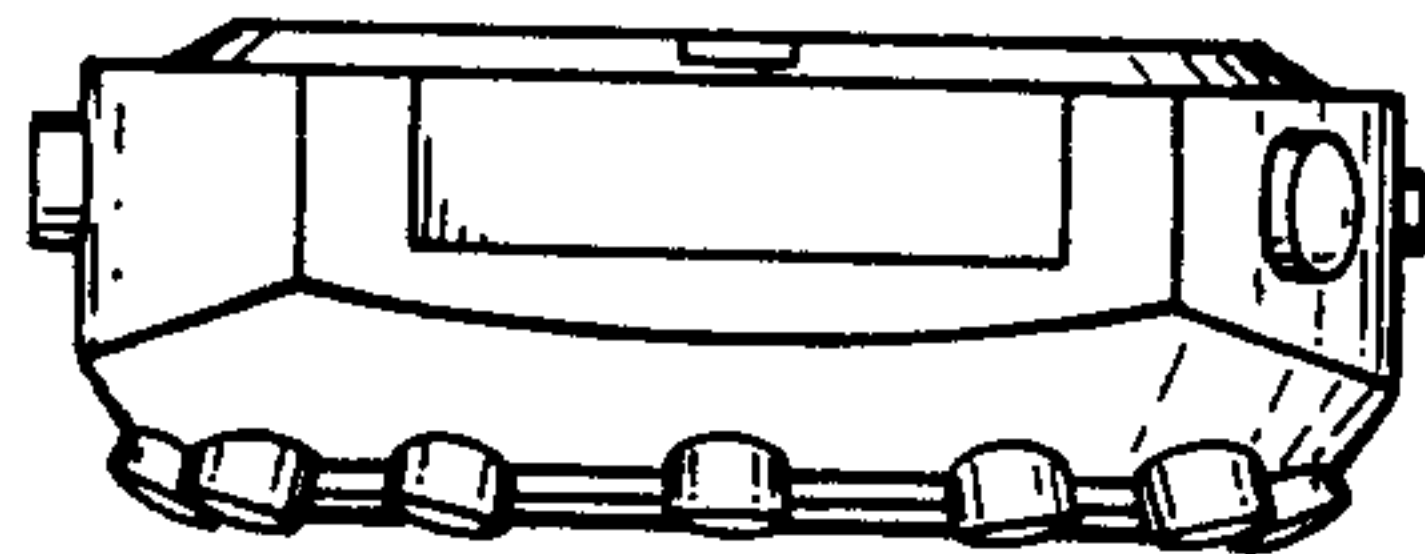


FIG. 5

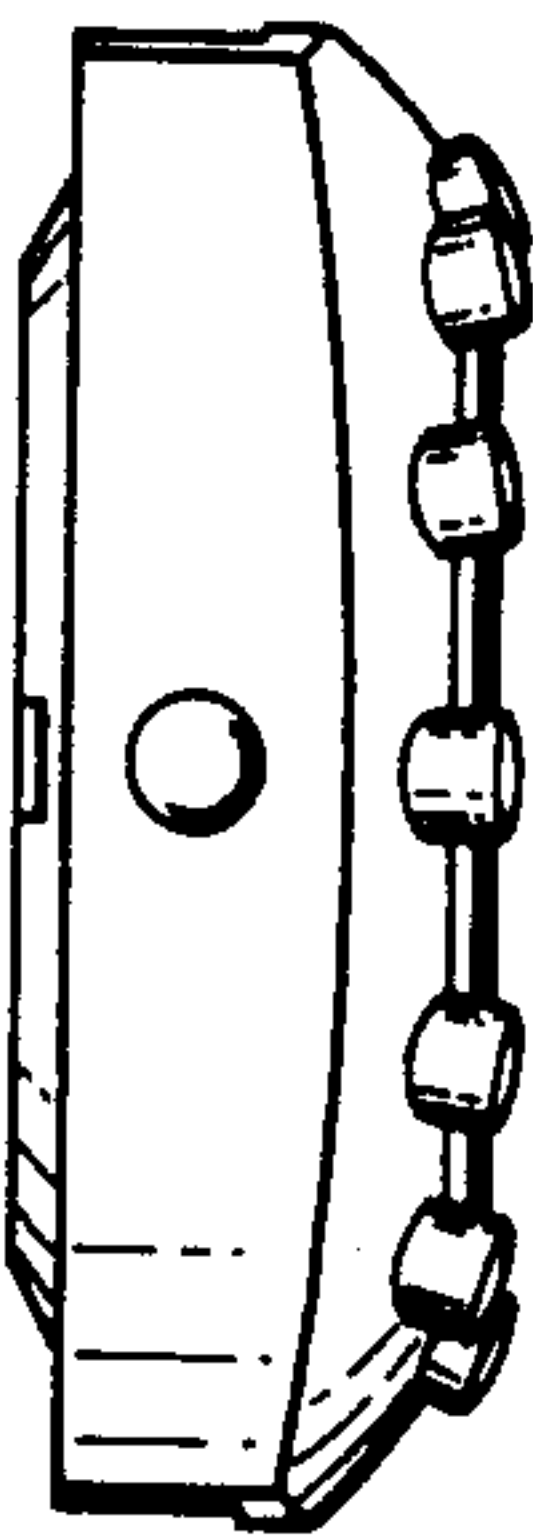


FIG. 3

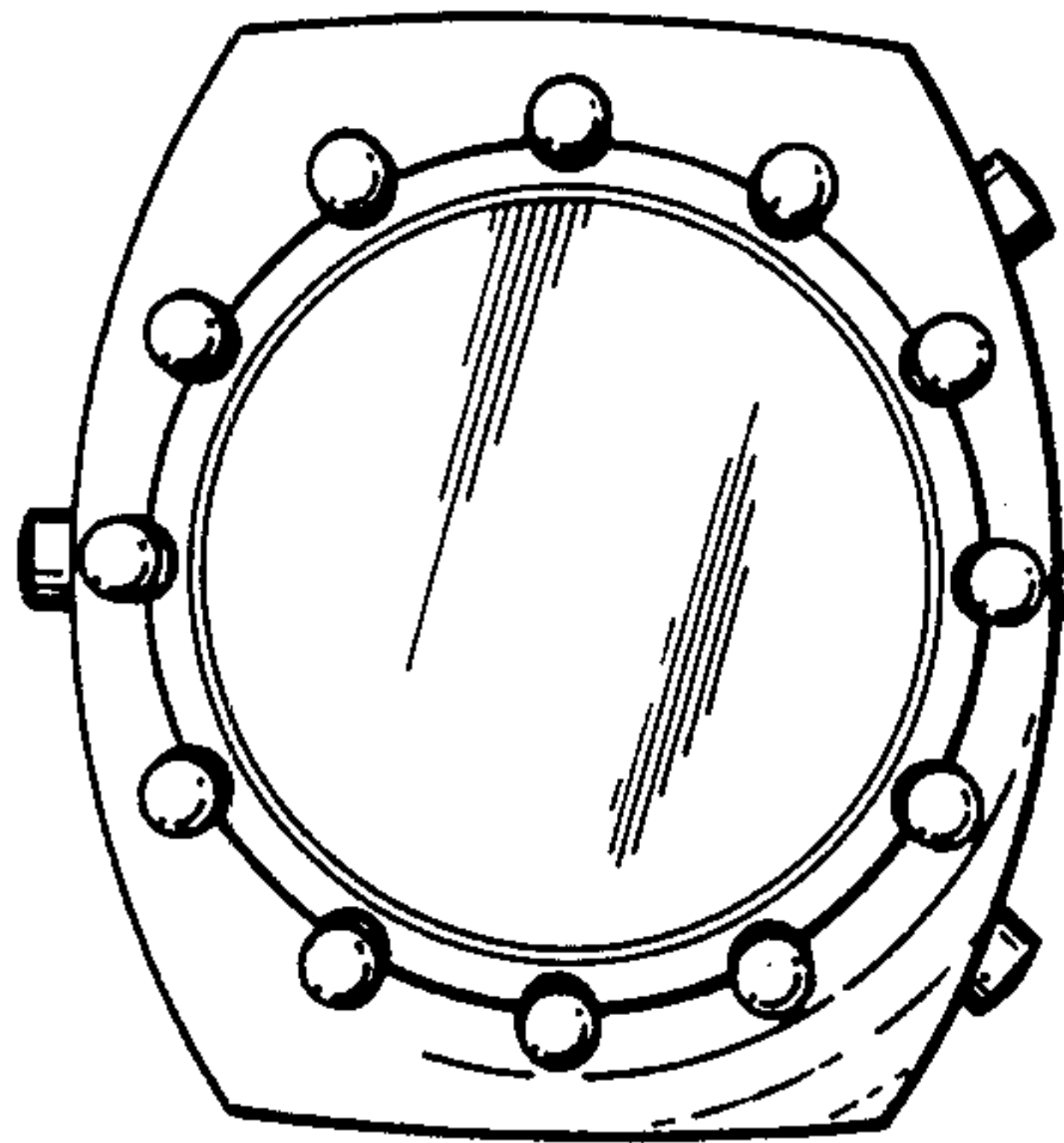


FIG. 2

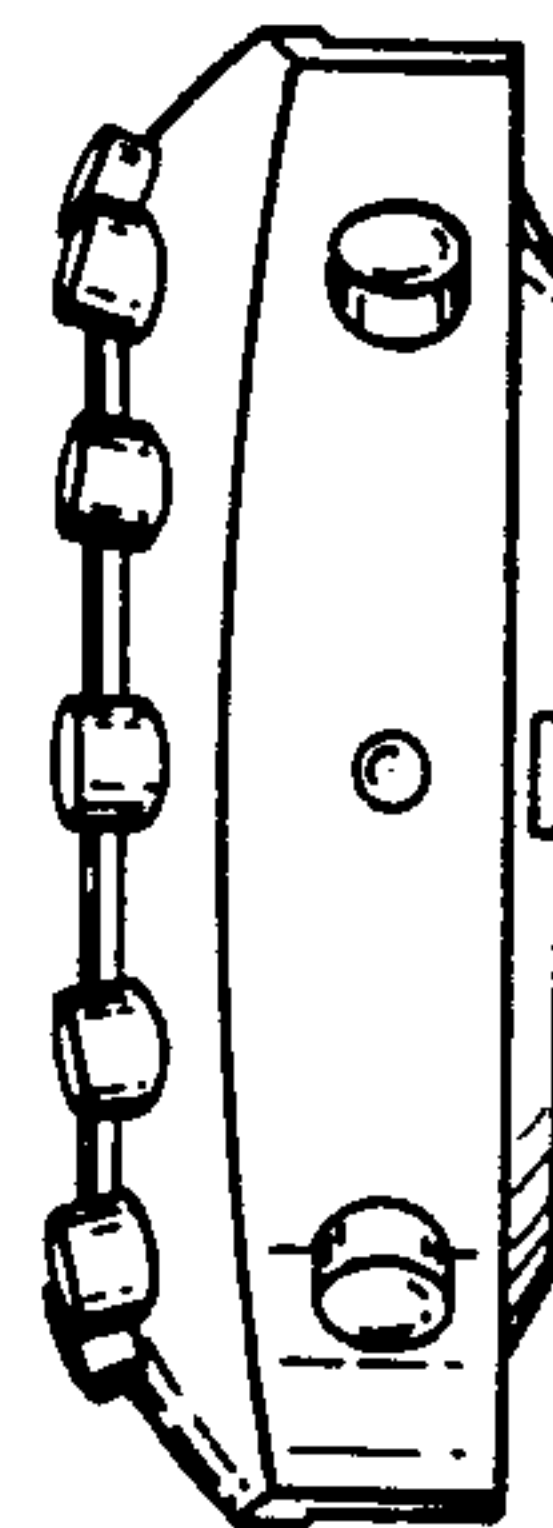


FIG. 4

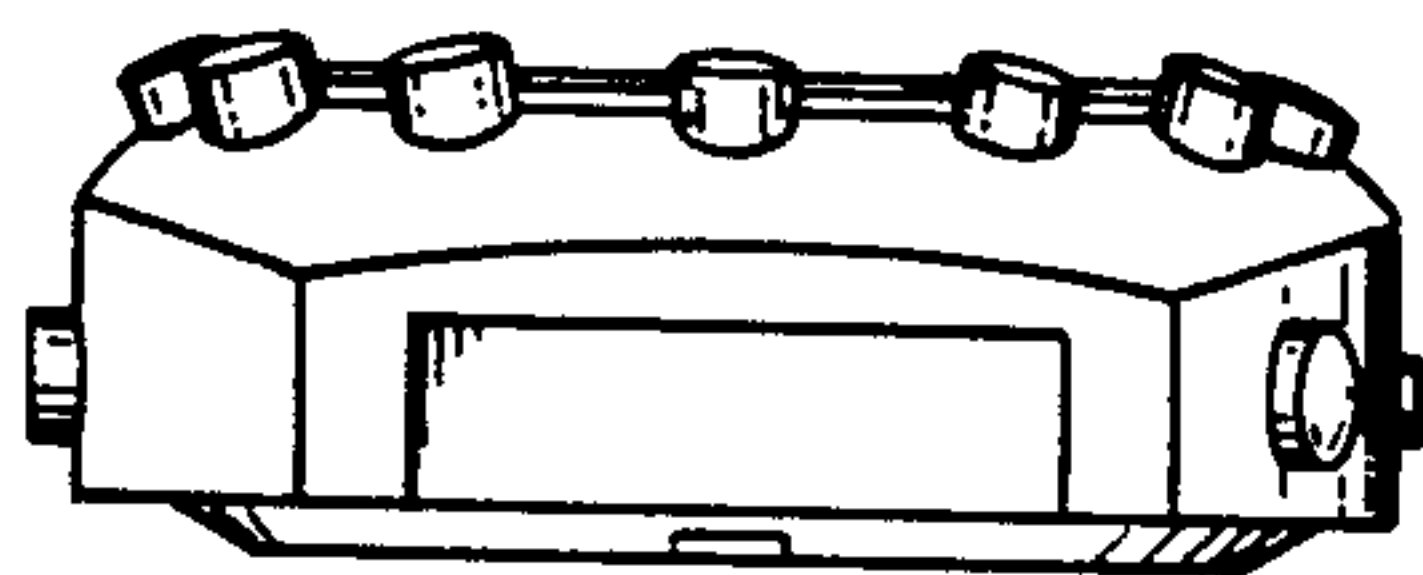


FIG. 6

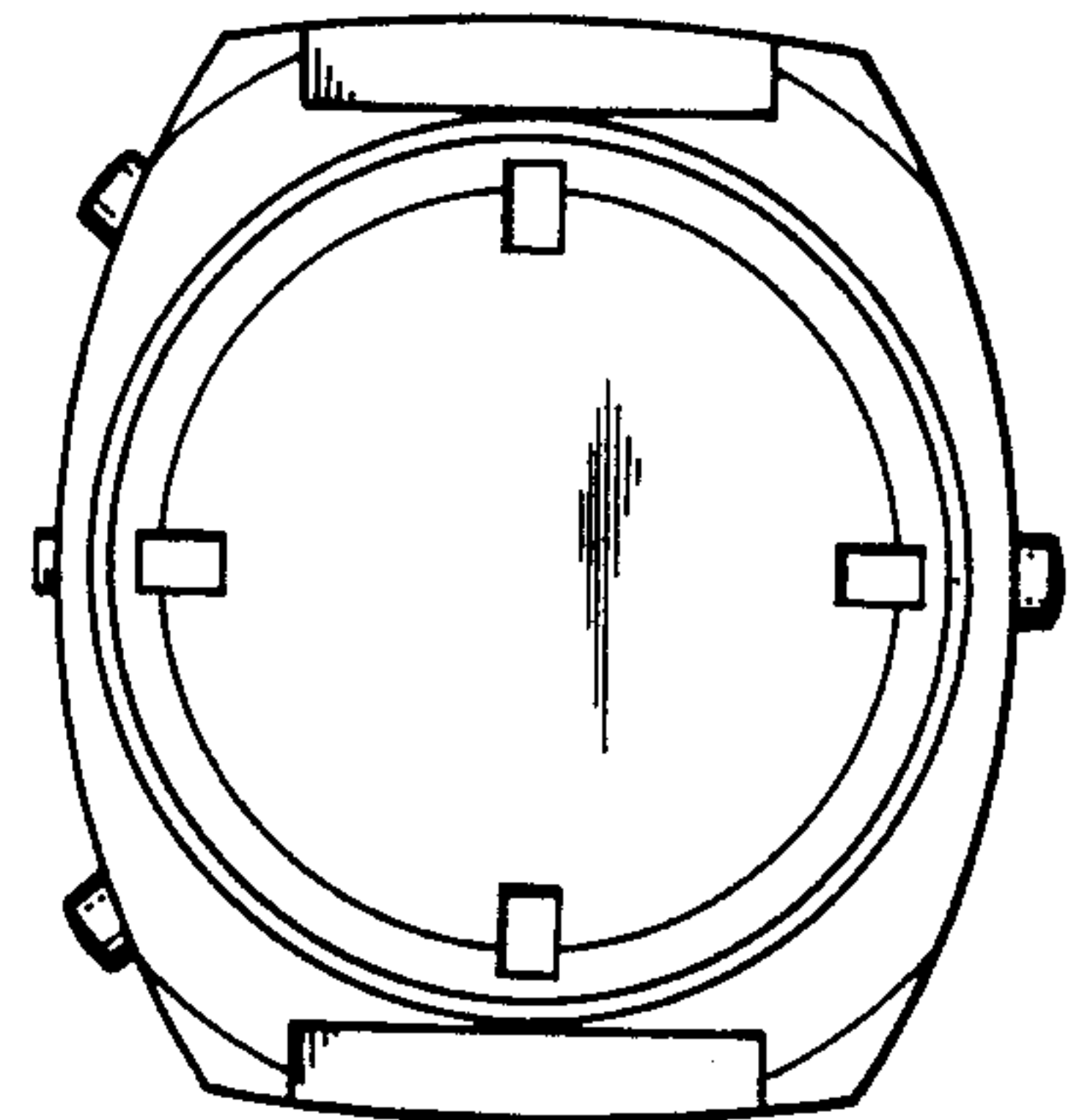


FIG. 7